

OPERATING INSTRUCTIONS AND OWNER'S MANUAL



ELECTRIC FORCE AIR HEATER

Model #
MH530FAET
MH530FAERT

READ INSTRUCTIONS CAREFULLY: Read and follow all instructions. Place instructions in a safe place for future reference. Do not allow anyone who has not read these instructions to assemble, adjust or operate the heater.



MH530FAERT



MH530FAET

Languages included




- English
- Spanish
- French

⚠ WARNING: If the information in this manual is not followed exactly, a fire or explosion may result causing property damage, personal injury or loss of life.








- This heater has hot or arcing parts inside. Do not use it in areas where gasoline, paint or other flammable liquids are used or stored.
- Service must be performed by a qualified service agency.









Definitions: Safety Guidelines IMPORTANT INSTRUCTIONS.

The definitions below describe the level of severity for each signal word. Please read the manual and pay attention to these symbols.

-  **Danger:** Indicates an imminently hazardous situation which, if not avoided, **will** result in **death or serious injury**.
-  **Warning:** Indicates a potentially hazardous situation which, if not avoided, **could** result in **death or serious injury**.
-  **Caution:** Indicates a potentially hazardous situation which, if not avoided, **may** result in **minor or moderate injury**.
- NOTICE:** Indicates a practice not related to personal injury which, if not avoided, **may** result in **property damage**.

WARNING: DO NOT OPERATE THIS HEATER UNTIL YOU READ AND UNDERSTAND THIS INSTRUCTION MANUAL FOR SAFETY, OPERATION, AND MAINTENANCE INSTRUCTIONS.

-  **CAUTION:** Use of this heater in any means not described in this manual may cause fire, electric shock, personal injury and/or property damage.
-  **CAUTION:** This heater is hot when in use. To avoid burns, do not let bare skin touch hot surfaces. Keep combustible materials, such as furniture, pillows, bedding, papers, clothes, and curtains at least 6 feet (1.8 m) from the front of the heater and keep them at least 2 feet (.6 m) away from the sides and rear
-  **CAUTION:** In order to avoid unintended cycling of the heater, always turn off when not in use.
-  **CAUTION:** Do not cover the power supply wiring or run the wiring under any carpet or rugs. Arrange cord and connections away from traffic patterns so it is not a tripping hazard.
-  **CAUTION:** Connect unit to only properly grounded outlets and adequately sized and grounded electrical systems.
-  **CAUTION:** Do not use this unit with unapproved or under sized electrical connections or wiring. They may overheat and cause a risk of fire.
-  **WARNING:** Do not expose to wet conditions; unit is intended for indoor use only.

-  **WARNING:** This heater is not intended for use in bathrooms, laundry areas and similar indoor locations. Never locate heater where it may fall into a bathtub or other water container.
-  **WARNING:** Do not insert or allow any foreign objects to enter the unit via the intake or exhaust vents on the unit. Failure to observe this warning may result in electric shock, fire or damage to the unit.
-  **WARNING:** To prevent fire do not block either the air intake or exhaust in any manner. Do not use on soft surfaces like a bed, where openings may get blocked.
-  **WARNING:** Unit is equipped with internal active electrical components that spark during use. Do not use in areas where fumes from gasoline, paint or other flammable liquids may be present.
-  **WARNING:** Extreme caution must be used when any heater is used by or near children or invalids and whenever the heater is left operating and unattended.
-  **WARNING:** Do not operate any heater with a damaged cord or plug or after the heater malfunctions, has been dropped or damaged in any manner. Discard heater, or return to authorized service facility for examination and/or repair.
-  **WARNING:** Do not use outdoors.
-  **WARNING:** Use this heater only as described in this manual. Any other use not recommended by the manufacturer may cause fire, electric shock, or injury to persons.

SAVE THESE INSTRUCTIONS.

CONTENTS

WARNINGS.....	2
ASSEMBLY	3
OPERATING	3
SPECIFICATIONS.....	3
CLEARANCES.....	3
MAINTENANCE	4
TROUBLE SHOOTING	5
WIRING DIAGRAM.....	5
PARTS LIST.....	6-7
EXPLODED VIEW.....	6-7
WARRANTY	8
INSTRUCTIONS FOR ORDERING PARTS.....	8


LANGUAGES


▶ ENGLISH	1-8
FRENCH	1-8
SPANISH	1-8

GENERAL INFORMATION

RETAIN THIS MANUAL FOR FUTURE REFERENCE. FOR QUESTIONS, PROBLEMS, MISSING PARTS BEFORE RETURNING TO RETAILER PLEASE CALL WITH MODEL NUMBER AND SERIAL NUMBER OF HEATER: 1-800-321-0001

MONDAY-FRIDAY 8-5 PM EASTERN TIME
OR E-MAIL USING THE MR. HEATER WEBSITE:
WWW.MRHEATER.COM

In order to provide the best service possible
Mr. Heater is now giving you more ways to
 In touch with us:

 FACEBOOK: Find us on Facebook

 TITTER: Find us on twitter

YouTube: There are now informational videos on YouTube.

WEBSITE: Mr. Heater's full line of product are now at
WWW.MRHEATER.COM

SPECIFICATIONS

Model:	MH530FAET	MH530FAERT
Heat Output BTU/WATTS	18084/5300	18084/5300
Airflow (CFM)	246	246
Electrical Supply	240Vac	240Vac
Thermostat	32 F - 185 F	32 F - 185 F
Power Cord	4' POWER CABLE INCLUDED	4' POWER CABLE INCLUDED
Dimensions: (L"xW"xH")	13.18"x12.2"x13.97"	14.37"x13.77"x16.14"
Weight (lbs.)	16.7 LBS.	17.75 LBS.
Clearance to Combustibles		
Outlet (M)	6' (.18M)	6' (.18M)
Rear (M)	2' (.6M)	2' (.6M)
Sides (M)	2' (.6M)	2' (.6M)

Assembly & Installation:

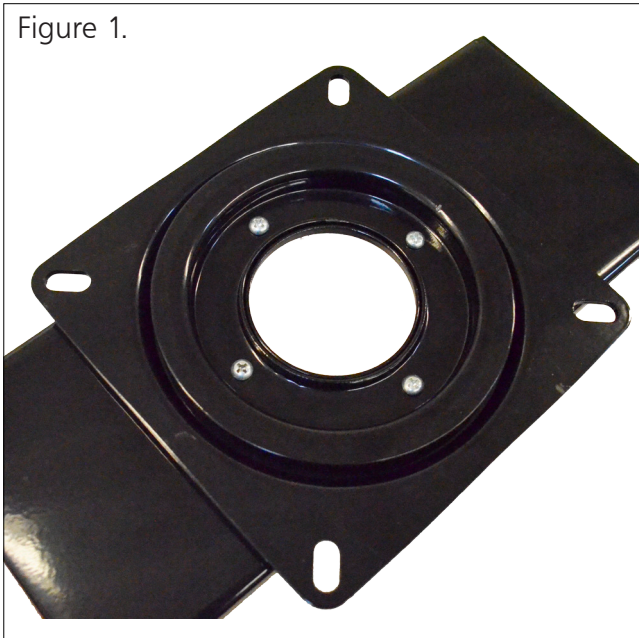
- Remove the heater and all of the packaging material from the box.
- Check all of the packing material for loose parts and set aside.
- Thoroughly inspect the heater for damage. If any is found do not contact the place of purchase. Please call the Manufacturer at 800-251-0001.

INCLUDED IN THE BOX:

- Heater
- Hanging bracket
- Mounting plate
- Swivel Plate
- Angle adjustment knobs
- Heater fastening bolts
- 4- 8 mm Nuts, Bolts and lock washers

To Assemble, use the 8 mm nuts, bolts and lock washers to the attach the swivel plate and the Mounting Plate to the hanging bracket See figure 1. The nut and lock washer should be on the underside.

Next, Locate a space to hang the heater on the ceiling. The

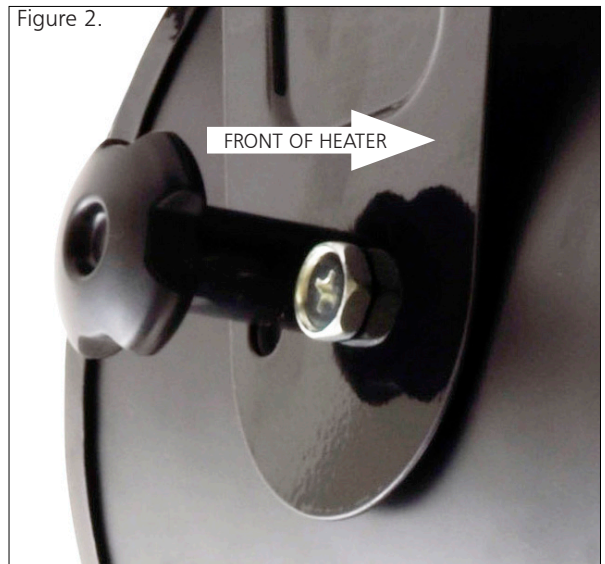


selected space should leave enough room to maintain the

clearance to combustibles outlined in the specifications table on page 3 and should be located within 4 feet of your power connection or the location of where you plan to mount the junction box your heater will be supplied from.

Once a location has been selected, fasten the mounting bracket and accompanying hanging kit with 4 appropriately sized lag bolts/or wall anchors that can support the weight of the heater (not included). The weight of your heater can be found in the specifications table on page 3. The best option is to attach the anchors directly into a solid surface like a joist or plywood. If that is not available consult with your local hardware store for other options. There are many different Drywall anchors or masonry anchors that will work.

Once you have selected a location and mounted the hanging brackets you can now hang the heater. It is recommend that you have help for this step. While you or your helper is holding the heater in place, install the two large Phillips head bolts and angle adjustment knobs. See figure 2. At this point the heater should look like the photo on the front of this manual.



Wiring information:

The heaters covered in this manual are designed to be installed and serviced by only licensed trained professionals. Heaters should only be installed on a dedicated 240 volt circuit with a 30 amp double pole breaker. Refer to NEC code ANSI/NFPA NO. 70-2011 for specifics.

Remote Thermostat:

Units equipped with a remote thermostat will need to have the cradle for the thermostat mounted in an appropriate location. Using two wall anchors, (not included) mount the Thermostat cradle to the wall. Select a location within 3.5 feet of the heater. The cradle should be mounted in a location as to not be affected by the air flow of the heater. If possible do not mount on an un-insulated wall or in direct sunlight. That may cause the heater to cycle unnecessarily.

Operational Information

Heat is created by electric current passing through coiled metal elements bringing them up to very high temperatures. The fan then passes room air over the hot elements exchanging cold air for warm. The air moving over the coils keeps them from reaching temperatures that are not safe for the normal operation of the heater. Therefore it is important to keep all combustible materials and any objects that may be sucked into the fan blades at a safe distance (please refer to the specification table for appropriate clearances). Make sure that the fan blades remain unobstructed at all times. Keep unit clean and dust free. Do not block unit intake or exhaust at any time. If damage has occurred please refer to the parts listing in this manual and contact the manufacturer for a replacement.

WARNING: The electrical circuit must be properly grounded, failure to do so may result in electric shock or property damage.

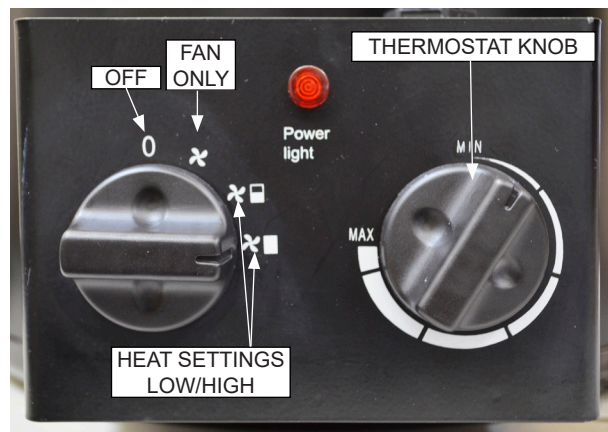
WARNING: Always plug or wire heaters directly into a wall receptacle or appropriate junction box. Never use with an extension cord or re-locatable power tap (outlet/power strip).

These Electric forced air heaters are specifically designed to be permanently installed by hanging from ceiling or overhead structure. Do not attempt to use them as a portable heater.

Starting Instructions

1. With the heater properly installed and the power supplied to the unit move the heat selection knob to the setting you want. There are both high and low settings, along with a fan only option. Refer to Figure 3, for information about each setting.
2. Turn thermostat to desired setting. Clockwise will increase the set point, counter clockwise will reduce the setting. An audible click can be heard when the current temperature in the space is matched on the dial.
3. The Heating element and fan will remain on until the temperature setting is reached. The heating element will cycle on and off as needed.

CONTROL



To Stop Heating

1. Rotate the thermostat knob to the lowest position.
2. Rotate the power switch into the "off" position.

Maintenance

WARNING:

Never attempt to service the heater while the unit is hot or in use. Only qualified service technicians should service these units.

- Thoroughly inspect the unit prior to use.
- Keep heater clean and free of dust and debris.
- The use of an air compressor can be used to blow out the dust from the heater case. Be sure to only use moderate air pressure as to not damage any internal components.
- A soft dry cloth should be used for cleaning of outer shell and mounting brackets.
- The fan motor is sealed and does not need to be lubricated.

For service :

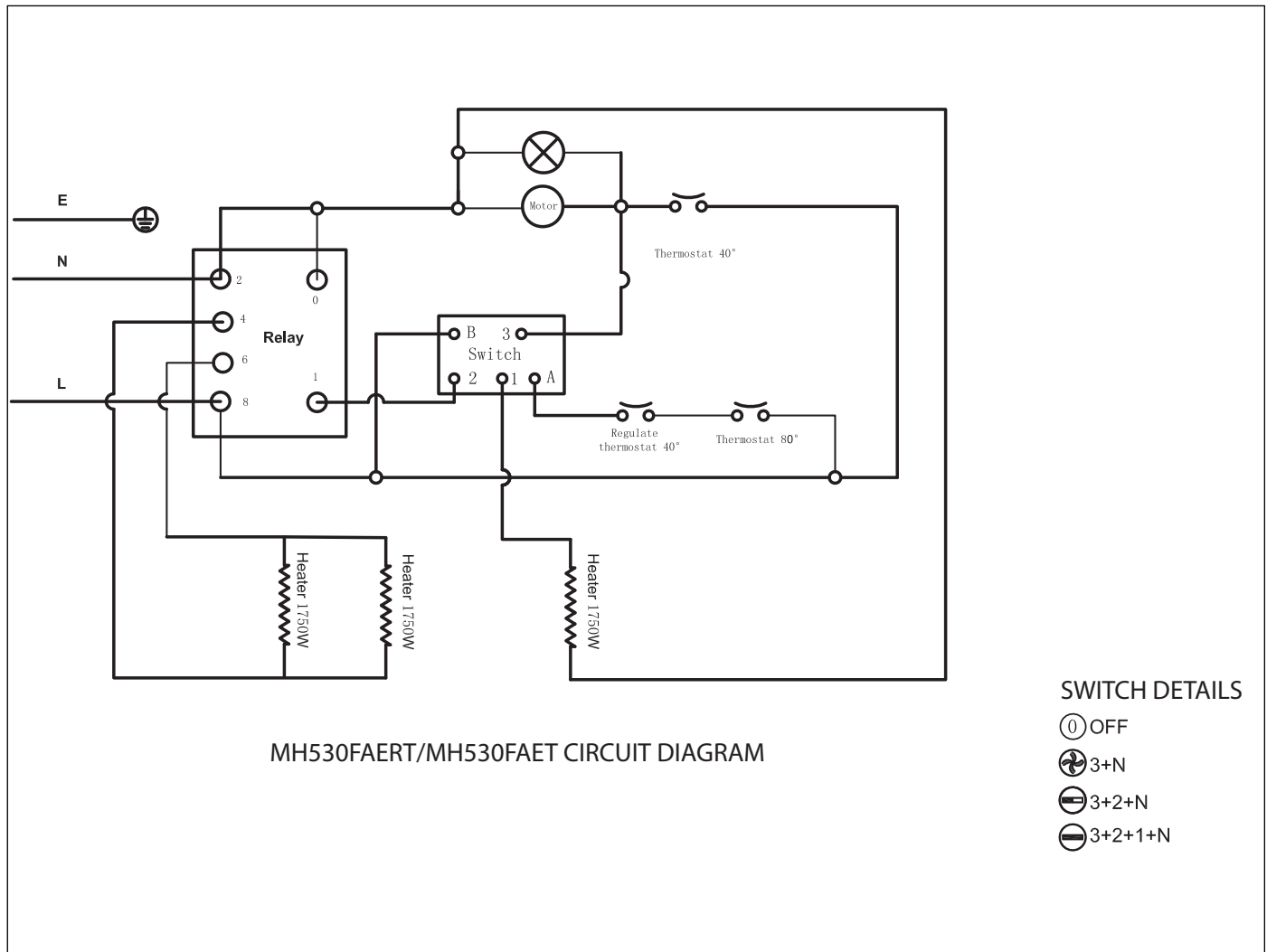
Please call Toll-Free 800-251-0001 www.mrheater.com
Our office hours are 8:00 AM – 5:00 PM, EST, Monday through Friday. Please include the model number, date of purchase, and description of problem in all communication.

Troubleshooting

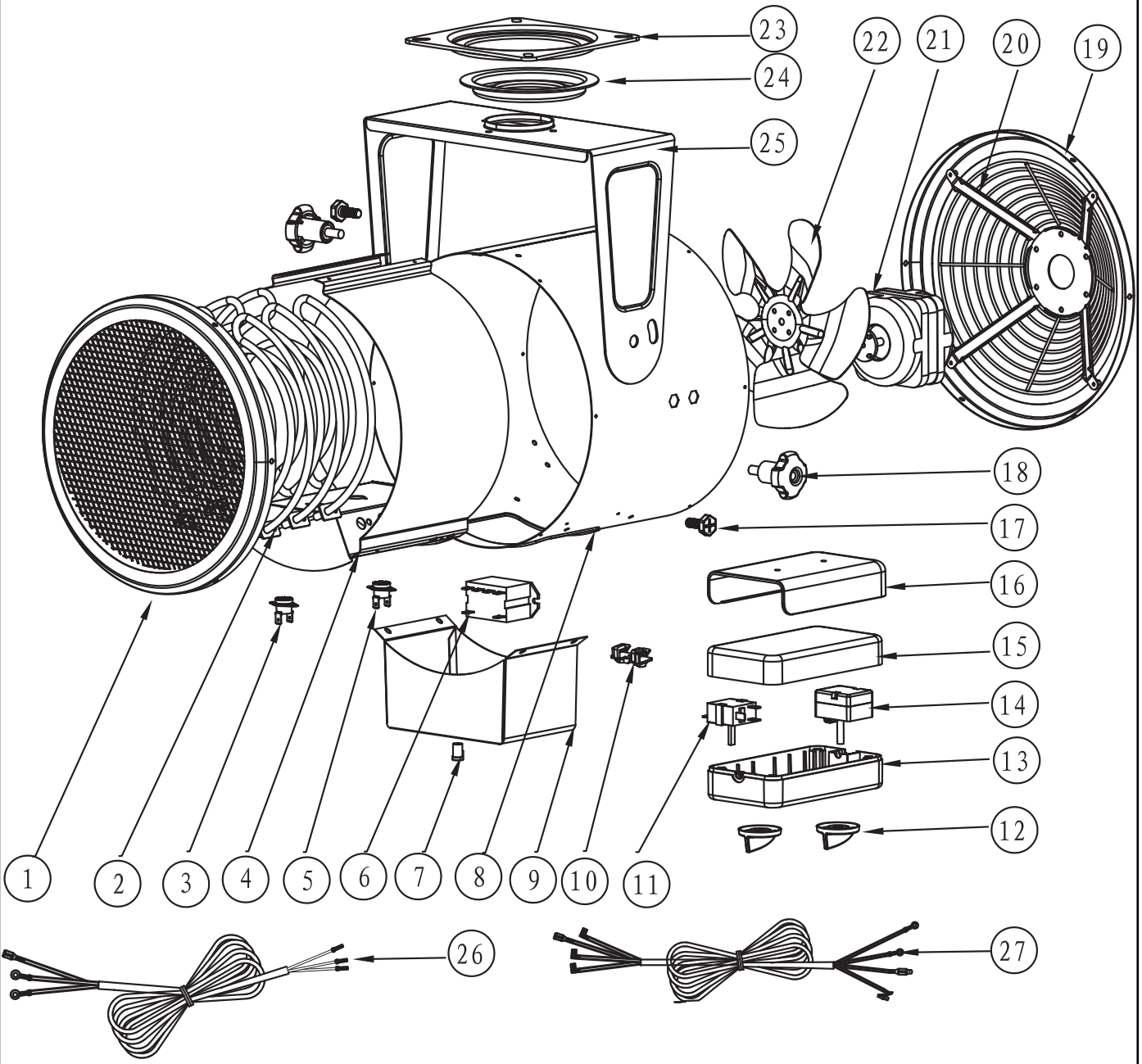
Unit does not work	<ul style="list-style-type: none"> • Defective thermostat or wrong thermostat setting • Open circuit breaker or fuse • Thermal overload switch has been tripped • Damaged or defective plug or outlet
Unit runs continuously	<ul style="list-style-type: none"> • Defective thermostat or wrong thermostat setting • Heat losses higher than unit capacity (unit undersized)
Elements are on but motor does not rotate	<ul style="list-style-type: none"> • Defective Motor • Blocked fan blades
Enclosure is extremely hot	<ul style="list-style-type: none"> • Defective thermal protection • Blocked air vents • Defective motor
Desired room temperature cannot be reached	<ul style="list-style-type: none"> • One or more elements are defective • Defective thermostat or wrong thermostat setting • Voltage lower than that written on Rate tag • Heat losses higher than unit capacity (unit undersized)
Overheating	<ul style="list-style-type: none"> • Defective thermostat or blocked inlet or outlet (HLS tripped) • Defective Motor (slow motor operation)

⚠ WARNING: USE ONLY MANUFACTURER'S REPLACEMENT PARTS. USE OF ANY OTHER PARTS COULD CAUSE INJURY OR DEATH. REPLACEMENT PARTS ARE ONLY AVAILABLE DIRECT FROM THE FACTORY AND MUST BE INSTALLED BY A QUALIFIED SERVICE AGENCY.

WIRING DIAGRAM MH530FAERT/MH530FAET



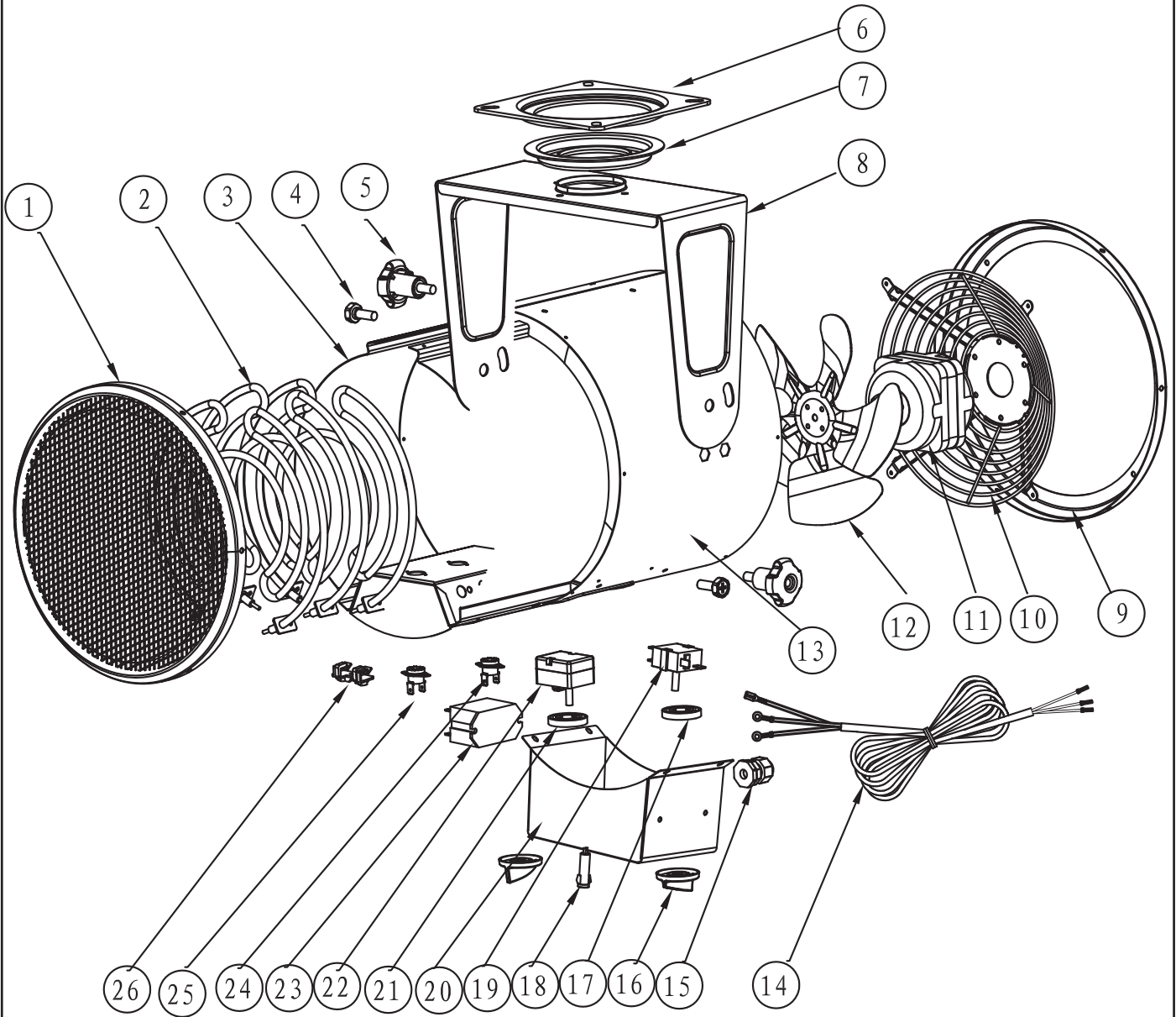
MH530FAERT



#	P/N	DESCRIPTION	QTY
1	41252	Outlet screen	1
2	41253	Heating Coil	1
3	41224	High Limit Switch 80C	1
4	41254	Internal Chamber	1
5	41223	High Limit Switch K40	1
6	41259	Relay	1
7	41216	LED	1
8	41264	Outer Barrel	1
9	41256	Control Box	1
10	N/A	Wire Ties	1
11	41270	Thermostat	1
12	41214	Knob	2
13	41237	Remote Thermostat Housing Top	1
14	41273	Setting Control Switch	1

#	P/N	DESCRIPTION	QTY
15	41239	Remote Thermostat Housing Bottom	1
16	41240	Remote Thermostat Wall Mount Cradle	1
17	41241	Bolt	2
18	41242	Angle Adjustment Knob	2
19	41243	Fan Screen Bracket	1
20	41244	Fan Guard	1
21	41245	Fan Motor	1
22	41246	Fan Blade	1
23	41247	Mounting Plate	1
24	41248	Swivel Plate	1
25	41249	Mounting Bracket	1
26	41250	Power Cord	1
27	41251	Thermostat Cord	1

MH530FAET



#	P/N	DESCRIPTION	QTY	#	P/N	DESCRIPTION	QTY
1	41252	Outlet screen	1	14	41250	Power Cord	1
2	41253	Heating Coil	1	15	41266	Strain Relief	1
3	41254	Internal Chamber	1	16	41214	Knob	2
4	41241	Bolt	2	17	41218	Thermostat Spacer	1
5	41242	Angle Adjustment Knob	2	18	41216	LED	1
6	41247	Mounting Plate	1	19	41270	Thermostat	1
7	41248	Swivel Plate	1	20	41271	Control Box	1
8	41249	Mounting Bracket	1	21	41258	Selector Switch Spacer	1
9	41243	Fan Screen Bracket	2	22	41273	Setting Control Switch	1
10	41244	Fan Guard	2	23	41259	Relay	1
11	41245	Fan Motor	1	24	41223	High Limit Switch K40	1
12	41246	Fan Blade	1	25	41224	High Limit Switch 80C	1
13	41264	Outer Barrel	1	26	N/A	Wire Ties	1



OPERATING INSTRUCTIONS AND OWNER'S MANUAL

Model #

MH530FAET
MH530FAERT



WARNING:

USE ONLY MANUFACTURER'S REPLACEMENT PARTS. USE OF ANY OTHER PARTS COULD CAUSE INJURY OR DEATH. REPLACEMENT PARTS ARE ONLY AVAILABLE DIRECT FROM THE FACTORY AND MUST BE INSTALLED BY A QUALIFIED SERVICE AGENCY.

PARTS ORDERING INFORMATION:

PURCHASING: Accessories may be purchased at any Mr. Heater local dealer or direct from the factory

FOR INFORMATION REGARDING SERVICE

Please call Toll-Free 800-251-0001
www.mrheater.com

Our office hours are 8:00 AM – 5:00 PM, EST, Monday through Friday.

Please include the model number, date of purchase, and description of problem in all communication.

LIMITED WARRANTY

Mr. Heater, Inc. warrants its heaters and accessories to be free from defects in material and workmanship for a period of 1 year from date of purchase. Mr. Heater, Inc. will repair or replace this product free of charge if it has been proven to be defective within the 1-year period, and is returned at customer expense with proof of purchase to Mr. Heater, Inc. within the warranty period.

Mr. Heater, Inc. reserves the right to make changes at any time, without notice or obligation, in colors, specifications, accessories, materials and models.

MR. HEATER, INC., 4560 W. 160TH ST., CLEVELAND, OHIO 44135 • 800-251-0001
Mr. Heater is a registered trademarks of Mr. Heater, Inc.
© 2017, Mr. Heater/Mr. Heater. All rights reserved



U.L. 2021

CSA C22.2#46

INSTRUCCIONES DE USO Y MANUAL DEL USUARIO



CALEFACTOR ELÉCTRICO A AIRE FORZADO

Modelo #
MH530FAET
MH530FAERT

LEA CUIDADOSAMENTE LAS INSTRUCCIONES: Lea y siga todas las instrucciones. Conserve estas instrucciones en un lugar seguro para futura referencia. No permita que nadie que no haya leído estas instrucciones arme, ajuste o use el calefactor.



Idiomas incluidos

- Inglés
- Español
- Francés

⚠ ADVERTENCIA: Si no se siguen al pie de la letra las instrucciones de este manual, podría producirse un incendio o una explosión que provocaría daños materiales, lesiones o muertes.

- Este calefactor tiene partes calientes o que pueden producir chispas en su interior. No lo utilice en áreas donde se utiliza o se guarda gasolina, pintura o líquidos inflamables.
- El mantenimiento debe realizarlo una agencia de servicios calificada.

Definitions: Safety Guidelines IMPORTANT INSTRUCTIONS.

Las siguientes definiciones describen el nivel de severidad para cada una de estas señales. Lea el manual y preste atención a estos símbolos.

- ⚠ Peligro:** Indica una situación inminente de peligro, la que si no se evita, **causaría lesiones graves o la muerte.**
 - ⚠ Advertencia:** Indica una situación potencial de peligro, la que si no se evita, **podría causar lesiones graves o la muerte.**
 - ⚠ Cuidado:** Indica una situación potencial de peligro, la que si no se evita, **podría resultar en lesiones menores o moderadas.**
- AVISO:** Indica una práctica no relacionada con heridas personales que, si no se evita, **podría causar daños materiales.**

⚠ ADVERTENCIA: NO USE ESTE CALEFACTOR HASTA HABER LEÍDO Y COMPRENDIDO ESTE MANUAL DE INSTRUCCIONES DE SEGURIDAD, OPERACIÓN Y MANTENIMIENTO.

- ⚠ CUIDADO:** Emplear este calefactor de cualquier forma que no sea la descrita en este manual puede provocar incendios, descargas eléctricas, lesiones y/o daños materiales.
- ⚠ CUIDADO:** Este calefactor se calienta al usarlo. Para evitar quemaduras, no toque las superficies calientes con la piel. Mantenga los materiales combustibles, como muebles, almohadones, sábanas, papeles, ropa y cortinas por lo menos a 1,8 m del frente del calefactor y al menos a 6 m de distancia de los costados y de la parte de atrás.
- ⚠ CUIDADO:** Para evitar que el calefactor funcione cuando no lo desee, siempre desenchúfelo de la fuente de alimentación cuando no lo esté utilizando.
- ⚠ CUIDADO:** No cubra los cables de alimentación ni los haga pasar por debajo de alfombras ni tapetes. Coloque el cable y las conexiones lejos de las áreas de circulación, de manera tal que no se transformen en un riesgo de tropezones
- ⚠ CUIDADO:** Conecte la unidad únicamente a tomacorrientes correctamente conectados a tierra y a sistemas eléctricos del tamaño adecuado y con la adecuada conexión a tierra..
- ⚠ CUIDADO:** No utilice esta unidad con conexiones ni cables no recomendados o de tamaño inadecuado. Pueden recalentarse y provocar un riesgo de incendio.
- ⚠ ADVERTENCIA:** No exponga la unidad a la humedad; está diseñada únicamente para uso en interiores.
- ⚠ ADVERTENCIA:** LA UNIDAD NO ESTÁ DISEÑADA PARA USARSE EN ÁREAS INTERIORES DONDE PUEDA ESTAR EXPUESTA AL AGUA. EVITE USARLA EN BAÑOS, CUARTOS DE LAVADO Y EN CUALQUIER OTRA ÁREA DONDE PUEDA ENTRAR EN CONTACTO CON EL AGUA.

- ⚠ ADVERTENCIA:** No utilice el calefactor si la unidad, el toma o el cable presentan síntomas visibles de avería o si la unidad ha sufrido desperfectos. Contacte a un electricista acreditado antes de volver a usar el equipo.
 - ⚠ ADVERTENCIA:** Este calefactor no está diseñado para ser utilizado en baños, lavaderos y zonas similares de interiores. Nunca coloque el calefactor donde pueda caerse dentro de una bañera u otro recipiente con agua.
 - ⚠ ADVERTENCIA:** No inserte ni permita que ningún objeto extraño se introduzca en la unidad a través de los conductos de entrada y salida de ventilación. No respetar estas advertencias puede causar descargas eléctricas, incendios, o dañar la unidad.
 - ⚠ ADVERTENCIA:** Para evitar incendios, mantenga desbloqueados los conductos de entrada y salida de ventilación. No lo utilice sobre superficies blandas, como una cama, donde se podrían obstruir las aberturas.
 - ⚠ ADVERTENCIA:** La unidad está equipada con componentes eléctricos internos activos que chisporrotean cuando están funcionando. No la emplee en áreas donde pueda haber vapores de gasolina, pintura ni otros líquidos inflamables.
 - ⚠ ADVERTENCIA:** Debe ponerse mucho cuidado cuando el calefactor sea utilizado por niños o inválidos o cerca de estos, y siempre que se deje prendido y desatendido.
 - ⚠ ADVERTENCIA:** No utilice ningún calefactor si el cable o el enchufe están dañados o si el calefactor tuvo una falla, sufrió una caída o recibió cualquier tipo de daño. Deseche el calefactor o retórnelo a un local de reparaciones autorizado para que sea examinado y/o reparado.
 - ⚠ ADVERTENCIA:** No lo utilice en el exterior.
 - ⚠ ADVERTENCIA:** Solo use este calefactor como se describe en este manual. Cualquier uso distinto al recomendado por el fabricante puede causar incendio, descarga eléctrica, o daños personales.
- CONSERVE ESTAS INSTRUCCIONES.**

CONTENTS

ADVERTENCIAS.....	2
ARMADO.....	3
OPERACIÓN	3
ESPECIFICACIONES.....	3
DISTANCIAS.....	3
MANTENIMIENTO	4
SOLUCIÓN DE PROBLEMAS.....	5
DIAGRAMA DE CABLEADO.....	5
LISTA DE PARTES.....	6-7
PLANO DE DESPIECE	6-7
GARANTÍA.....	8
INSTRUCCIONES PARA ORDENAR PARTES.....	8

IDIOMAS

INGLÉS	1-8
▶ ESPAÑOL.....	1-8
FRANCÉS	1-8

INFORMACIÓN GENERAL

GUARDE ESTE MANUAL PARA FUTURA REFERENCIA. POR PREGUNTAS, PROBLEMAS O PARTES FALTANTES, ANTES DE RETORNAR EL PRODUCTO A LA TIENDA LLÁMENOS CON EL NÚMERO DE MODELO Y EL NÚMERO DE SERIE DEL CALEFACTOR: 1-800-321-0001

DE LUNES A VIERNES DE 8 A 5 PM HORA DEL ESTE.
O ENVIENOS UN MENSAJE A TRAVÉS DEL SITIO WEB DE MR. HEATER:
WWW.MRHEATER.COM

Para brindarle el mejor servicio posible Mr. Heater ahora le ofrece más formas de ponerse en contacto con nosotros:



FACEBOOK: Búsquenos en Facebook



TWITTER: Búsquenos en twitter



YouTube: Ahora tenemos videos informativos en YouTube.

SITIO WEB: La línea completa de productos Mr. Heater está en
WWW.MRHEATER.COM

ESPECIFICACIONES

Modelo:	MH530FAET	MH530FAERT
Salida de calor BTU/WATTS	18084/5300	18084/5300
Circulación de aire (CFM)	246	246
Alimentación	240Vac	240Vac
Termostato	0-85°C (32°F - 185°F)	0-85°C (32°F - 185°F)
Cable de alimentación	1.2 M Cable INCLUIDO	1.2 M Cable INCLUIDO
Dimensiones: (L"xA"xA")	33,5 x 31 x 35,5 cm 13.18"x12.2"x13.97"	6,5 x 35 x 41 cm 14.37"x13.77"x16.14"
Peso (lbs.)	16.7 LBS.	17.75 LBS.
Distancia a combustibles		
Salida (M)	6' (1.8M)	6' (1.8M)
Atrás (M)	2' (.6M)	2' (.6M)
Lados (M)	2' (.6M)	2' (.6M)

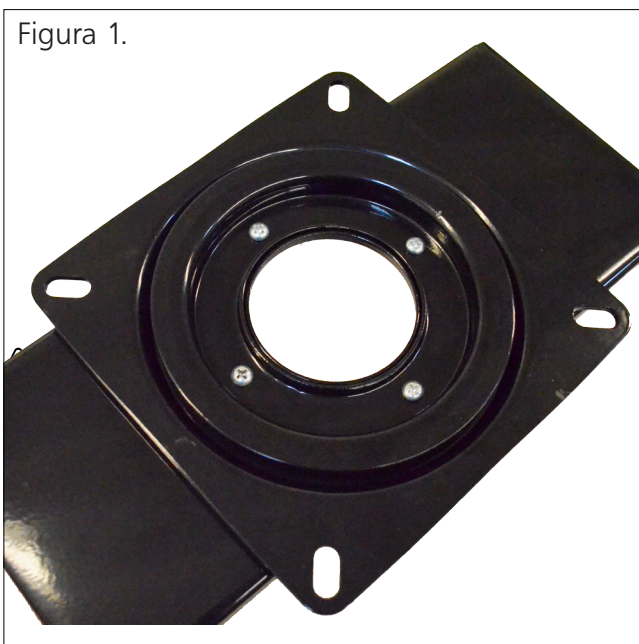
Armado e instalación:

- Saque el calefactor y todos los materiales de embalaje de la caja.
- Revise todo el material de embalaje para detectar si quedó en él alguna parte suelta y luego póngalo a un lado.
- Revise bien que el calefactor no esté dañado. Si encuentra algún daño, no se ponga en contacto con el lugar donde lo compró. Llame al Fabricante al 800-251-0001.

CONTENIDO DE LA CAJA:

- Calefactor
- Soporte para colgar
- Placa de montaje
- Placa giratoria
- Perillas de ajuste del ángulo
- Pernos para ajustar el calefactor
- 4 pernos de 8 mm, tuercas y arandelas

Para armarlo, use los pernos de 8 mm, las tuercas y las arandelas de seguridad para fijar la placa giratoria y la placa de montaje al soporte para colgar. Ver la figura 1. La tuerca y la arandela de seguridad deben estar del lado de abajo.



Luego, escoja un lugar para colgar el calefactor del techo. El lugar elegido deberá contar con el espacio adecuado para mantener las separaciones a materiales combustibles indicadas en la tabla de la página 3 y debe estar ubicado a no más de 1,2 m de un tomacorriente o del lugar donde piensa instalar la caja de conexiones para alimentar el calefactor.

Una vez que haya seleccionado la ubicación, fije el soporte de montaje y el juego correspondiente para colgarlo usando 4 tirafondos del tamaño adecuado o anclajes para pared que puedan soportar el peso del calefactor (no incluidos). Puede encontrar el peso del calefactor en la tabla de especificaciones de la página 3. Lo mejor es fijar los anclajes directamente en una superficie sólida como una viga o contrachapado. Si esto no es posible, consulte con su ferretería local acerca de otras opciones. Existen muchos anclajes diferentes para paneles de yeso o mampostería que podrían servirle.

Una vez que haya seleccionado la ubicación y que haya montado los soportes de montaje, estará listo para montar el calefactor. Le recomendamos que alguien le ayude durante este paso. Mientras usted o su ayudante sostiene el calefactor en su lugar, instale los dos pernos grandes con cabeza Phillips y las perillas de ajuste del ángulo. Ver la figura 2. En este momento el calefactor debería lucir como la foto del frente de este manual.



Información acerca del cableado:

Los calefactores incluidos en este manual están diseñados para ser instalados y reparados únicamente por profesionales capacitados y con licencia. Los calefactores deben instalarse únicamente en un circuito dedicado de 240 voltios y con una llave térmica bipolar de 30 amperios. Consulte la norma NEC ANSI/NFPA NO. 70-2011 por especificaciones.

Termostato remoto:

Las unidades equipadas con un termostato remoto deberán tener la base para el termostato montada en un lugar apropiado. Usando dos anclajes para pared (no incluidos), monte la base del termostato en la pared. Escoja un lugar a no más de 1 m del calefactor. La base debe montarse en un lugar que no se vea afectado por el flujo de aire del calefactor. Dentro de lo posible, no lo monte sobre una pared no aislada o bajo la luz directa del sol. Podría hacer que el termostato realice ciclos innecesarios.

Información operacional

El calor se genera mediante circulación de corriente eléctrica a través de elementos metálicos enrollados, haciendo que se calienten hasta temperaturas muy altas. A continuación, el ventilador hace circular aire por las bobinas calientes intercambiando aire frío por aire caliente. El aire que circula por los elementos evita que alcancen temperaturas que no serían seguras para el funcionamiento normal del calefactor. Por lo tanto, es importante mantener a una distancia prudencial todos los materiales combustibles y cualquier objeto que pueda ser succionado por las aspas del ventilador (consulte la tabla que aparece en la página siguiente para conocer las distancias adecuadas). Asegúrese de que nada bloquee las aspas del ventilador en ningún momento. Mantenga la unidad limpia y despolvada. No bloquee nunca los conductos de entrada y salida de aire.

Si ha sufrido algún daño, consulte la lista de partes de este manual y llame al fabricante para obtener un reemplazo.

ADVERTENCIA: El circuito eléctrico debe estar correctamente conectado a tierra, de lo contrario podría causar una descarga eléctrica o daños materiales.

ADVERTENCIA: Siempre enchufe o conecte los calefactores directamente a un tomacorriente o a una caja de conexiones adecuada.

Nunca lo use con un cable de extensión o enchufe múltiple. Estos calefactores eléctricos de aire forzado están especialmente diseñados para instalarlos permanentemente, colgándolos del techo o desde una estructura elevada. No intente utilizarlos como calefactores portátiles.

Instrucciones de encendido

1. Con el calefactor correctamente instalado y con su correspondiente alimentación, mueva la perilla selectora de calor a la posición que desee. Existen dos ajustes: alto y bajo, junto con la opción de ventilador solamente. Consulte la figura 3 por información acerca de cada ajuste.
2. Coloque el termostato en la posición deseada. Girarlo en sentido horario aumentará el punto de ajuste y en sentido contra horario lo disminuirá. Escuchará un leve clic cuando la perilla pase por el ajuste de la temperatura actual del ambiente.
3. El elemento calefactor y el ventilador permanecerán encendidos hasta que se alcance el ajuste de temperatura seleccionado. La unidad se encenderá y apagará según sea necesario.

CONTROL



Para apagar el calefactor:

1. Gire el control del termostato hacia la posición mínima.
2. Gire la perilla de alimentación a la posición de "apagado".

Mantenimiento

ADVERTENCIA: :

Nunca intente reparar el calefactor cuando la unidad esté caliente o en funcionamiento. Solamente los técnicos calificados deben reparar estas unidades.

- Revise exhaustivamente la unidad antes de utilizarla.
- Mantenga el calefactor limpio y sin polvo ni basura.
- Se puede utilizar un compresor de aire para sacar el polvo de la cubierta del calefactor. Asegúrese de emplear una presión de aire moderada para no dañar ningún componente interno.
- Para limpiar la cubierta externa y los soportes de montaje debe emplearse un paño suave y seco.
- El motor del ventilador está sellado y no necesita lubricación.

Para obtener servicio:

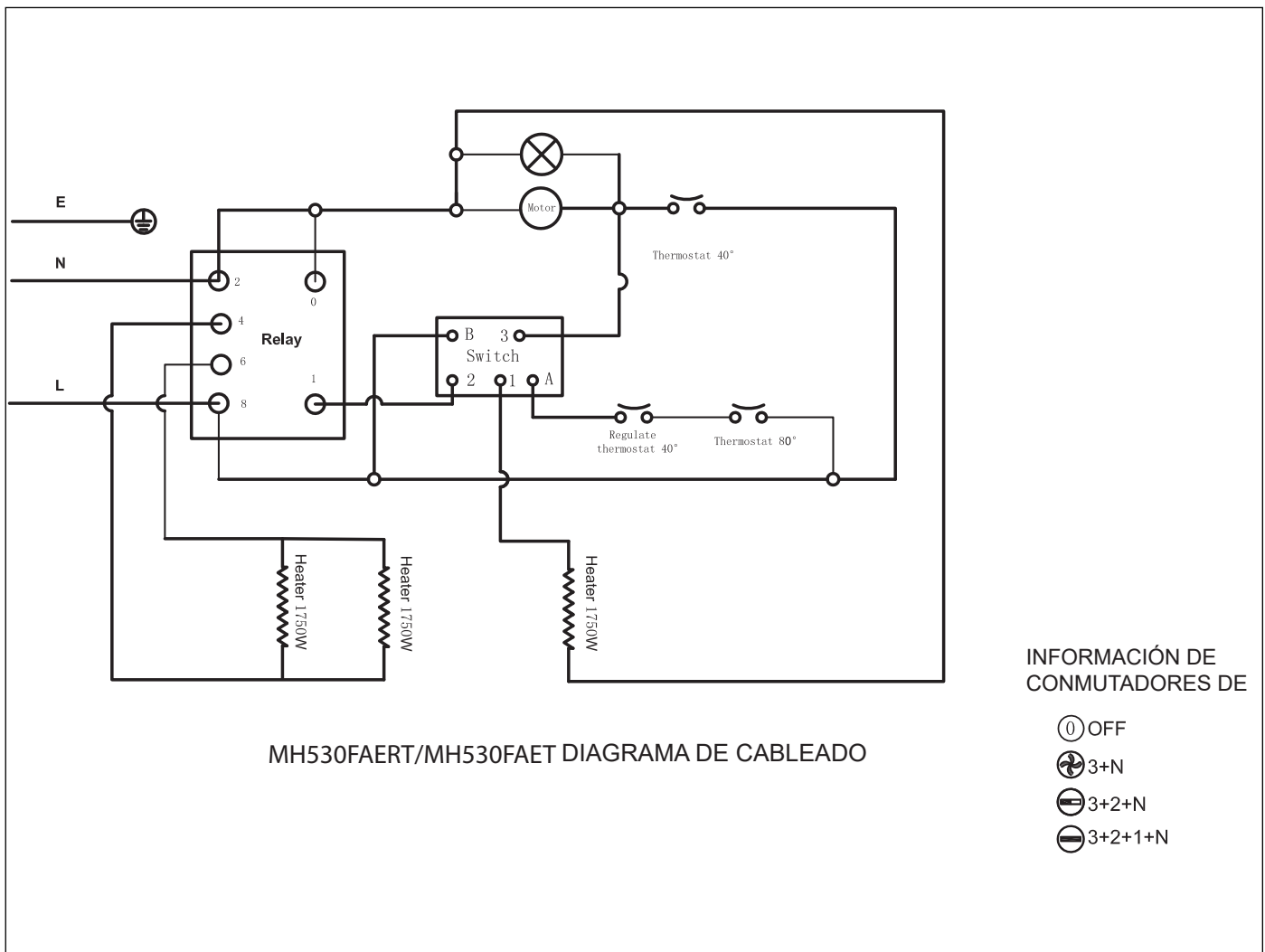
Llame sin cargo al 800-251-0001 • www.mrheater.com
Nuestro horario de trabajo es de 08:00 AM a 5:00 PM, de lunes a viernes, hora del este. Por favor, incluya el número de modelo, la fecha de compra y la descripción del problema en todas sus comunicaciones. description of problem in all communication.

Solución de problemas

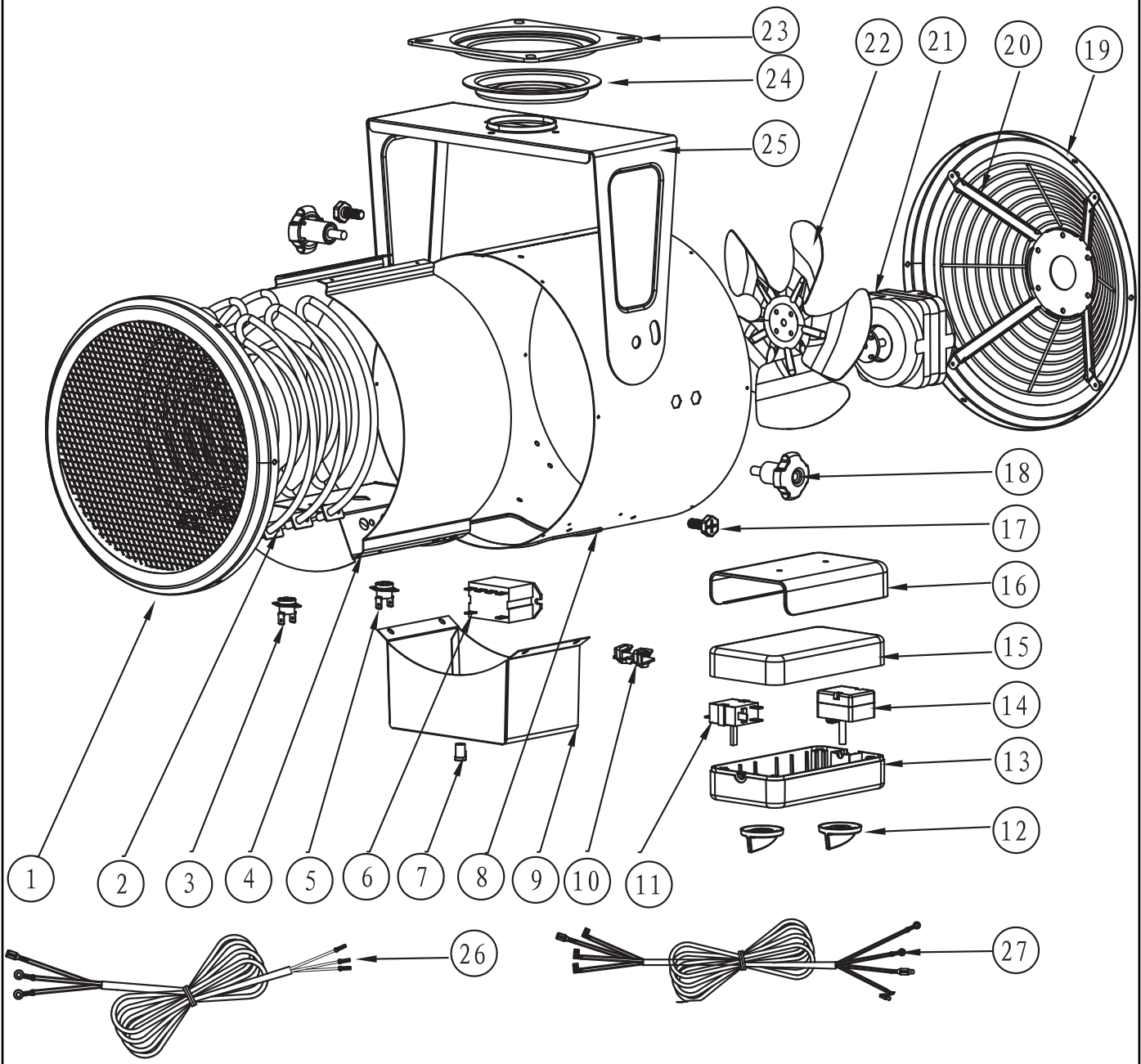
La unidad no funciona.	<ul style="list-style-type: none"> • Termostato dañado o configuración incorrecta del termostato • Fusible o llave térmica abierta • Se ha disparado el interruptor de recarga térmica • Toma o tomacorrientes dañados o defectuosos
La unidad funciona constantemente	<ul style="list-style-type: none"> • Termostato dañado o configuración incorrecta del termostato • Las pérdidas de calor superan la capacidad de la unidad (unidad insuficiente)
Los elementos están encendidos pero el motor no gira	<ul style="list-style-type: none"> • Motor defectuoso • Aspas del ventilador bloqueadas
El alojamiento está extremadamente caliente	<ul style="list-style-type: none"> • Protección térmica defectuosa • Conductos de aire bloqueados • Motor defectuoso
No se puede alcanzar la temperatura deseada	<ul style="list-style-type: none"> • Hay uno o más elementos defectuosos • Termostato dañado o configuración incorrecta del termostato • El voltaje es inferior al que aparece escrito en la etiqueta • Las pérdidas de calor superan la capacidad de la unidad (unidad insuficiente)
Recalentamiento	<ul style="list-style-type: none"> • Termostato defectuoso o entrada o salida de aire bloqueadas (se disparó el HLS) • Motor defectuoso (funciona muy lento)

⚠ ADVERTENCIA: USE SOLAMENTE PARTES DE REPUESTO DEL FABRICANTE. EL USO DE CUALQUIER OTRA PARTE PODRÍA CAUSAR HERIDAS O LA MUERTE. LAS PARTES DE REPUESTO ESTÁN DISPONIBLES ÚNICAMENTE EN LA FÁBRICA Y DEBEN SER INSTALADAS POR UNA AGENCIA DE SERVICIO CALIFICADA.

DIAGRAMA DE CABLEADO DEL MH530FAERT/MH530FAET



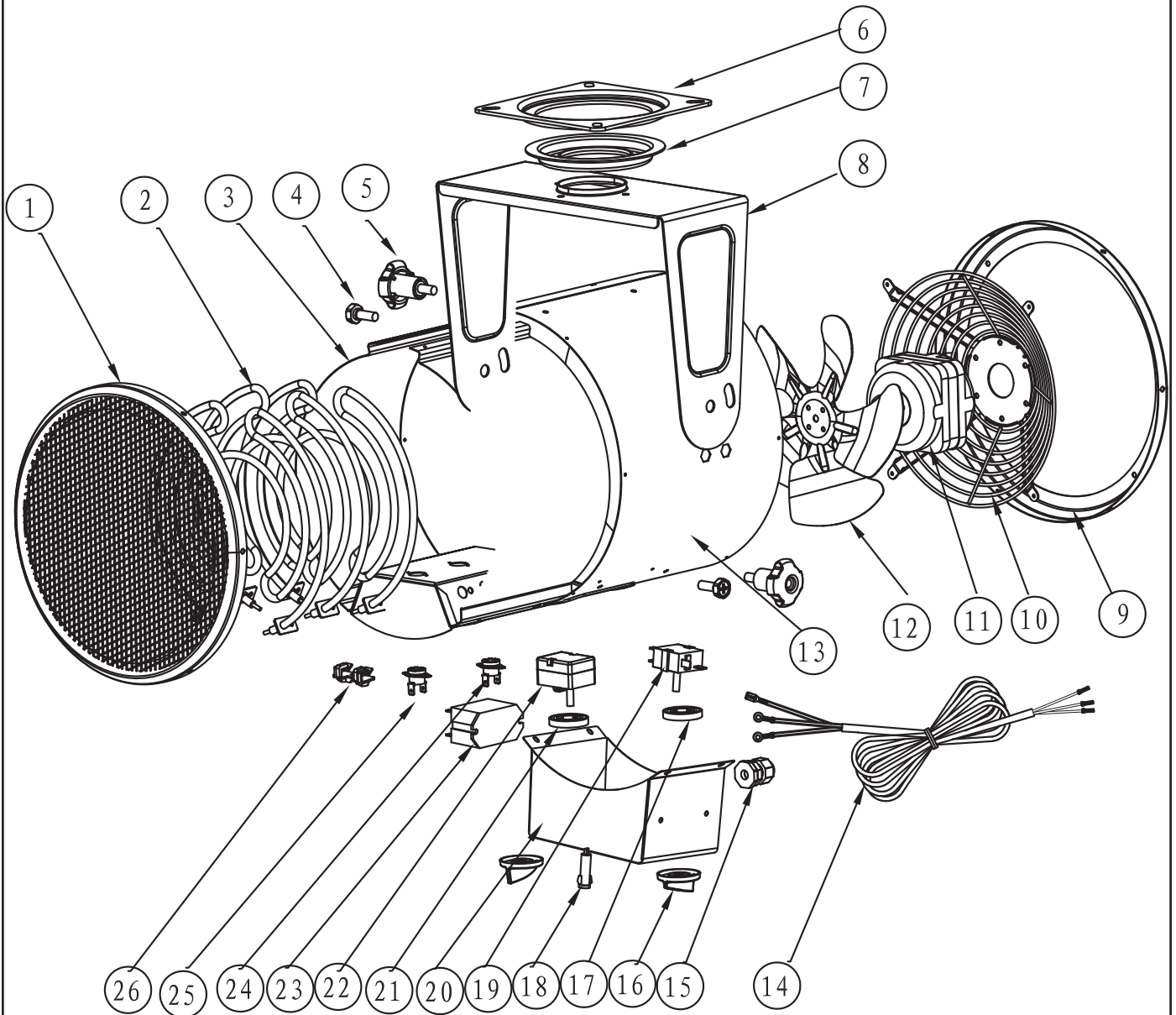
MH530FAERT



#	Parte	Descripción	Cant.
1	41252	Rejilla Exterior	1
2	41253	Elemento Calefactor	1
3	41227	Interruptor de límite Superior (1)	1
4	41254	Cámara interior	1
5	41229	Interruptor de Límite Superior (2)	1
6	41230	Contactador Bloque de Terminales	1
7	41231	LED	1
8	41232	Barril exterior	1
9	41233	Caja de Control	1
10	N/A	Los Alambres de Sujeción	2
11	41235	Termostato	1
12	41267	Perilla de Control	1
13	41237	Control remoto caja termostato Arriba	1
14	41259	Llave de Control	1

#	Parte	Descripción	Cant.
15	41239	Control remoto inferior Caja Termostato	1
16	41240	Cuna remoto Termostato de montaje en pared	1
17	41241	Tornillo	1
18	41242	Perilla de Ajuste ángulo	1
19	41243	Protector de Rejilla	1
20	41244	Bracket Protector de Rejilla	1
21	41245	Motor del Ventilador	1
22	41246	Paletas del Ventilador	1
23	41247	Placa de Montaje	1
24	41248	Placa Giratoria	1
25	41249	Soporte de Montaje	1
26	41250	Cable de alimentación	1
27	41251	Cable de Termostato	1

MH530FAET



#	Parte	Descripción	Cant.	#	Parte	Descripción	Cant.
1	41252	Rejilla Exterior	1	14	41250	Cable de alimentación	1
2	41253	Elemento Calefactor	1	15	41266	Retenedor de Cable	1
3	41254	Cámara interior	1	16	41267	Perilla de Control	1
4	41255	Tornillo	1	17	41268	Termostato Muelle en Espiral	1
5	41256	Perilla de Ajuste ángulo	1	18	41269	LED de encendido	1
6	41257	Placa de Montaje	1	19	41270	Termostato	1
7	41258	Placa Giratoria	1	20	41271	Caja de Control	1
8	41259	Soporte de Montaje	1	21	41272	Interruptor selector en Espiral	2
9	41260	Guard Bracket	2	22	41273	Llave de Control	1
10	41261	Protector del ventilador	2	23	41274	Contactador Terminal Block	2
11	41262	Motor del ventilador	1	24	41275	Interruptor de límite Superior (1)	1
12	41263	Paletas del ventilador	1	25	41276	Interruptor de límite Superior (2)	1
13	41264	Barril Exterior	1	26	N/A	Los Alambres de Sujeción	1



INSTRUCCIONES DE OPERACIÓN Y MANUAL DEL USUARIO

Modelo #

MH530FAET
MH530FAERT



ADVERTENCIA:

USE SOLAMENTE PARTES DE REPUESTO DEL FABRICANTE. EL USO DE CUALQUIER OTRA PARTE PODRÍA CAUSAR HERIDAS O LA MUERTE. LAS PARTES DE REPUESTO ESTÁN DISPONIBLES ÚNICAMENTE EN LA FÁBRICA Y DEBEN SER INSTALADAS POR UNA AGENCIA DE SERVICIO CALIFICADA.

INFORMACIÓN PARA ORDENAR PARTES:

COMPRAS: Puede comprar accesorios en cualquier distribuidor local de Mr. Heater o directamente de la fábrica.

POR INFORMACIÓN ACERCA DE REPARACIONES

Llame sin cargo al 800-251-0001
www.mrheater.com

Nuestro horario de trabajo es de 08:00 a.m. AM a 5:00 PM, de lunes a viernes, hora del este.

Por favor, incluya el número de modelo, la fecha de compra y la descripción del problema en todas sus comunicaciones.

GARANTÍA LIMITADA

Mr. Heater, Inc. garantiza la calidad del material y la fabricación de sus calefactores y accesorios por un período de 1 año a partir de la fecha de compra. Mr. Heater, Inc. reparará o reemplazará este producto sin cargo si presentara desperfectos dentro del primer año tras realizada la compra, siempre y cuando el cliente costee la devolución y presente el comprobante de compra a Mr. Heater Inc. dentro del período de garantía.

Mr. Heater Inc. se reserva el derecho de hacer cambios en cualquier momento, sin previo aviso, en los colores, especificaciones, accesorios, materiales y modelos.

MR. HEATER, INC., 4560 W. 160TH ST., CLEVELAND, OHIO 44135 • 800-251-0001

Mr. Heater is a registered trademarks of Mr. Heater, Inc.

© 2017, Mr. Heater/Mr. Heater. All rights reserved



U.L. 2021

CSA C22.2#46

MANUEL DE L'UTILISATEUR ET INSTRUCTIONS D'OPÉRATION



RADIATEUR ÉLECTRIQUE À VENTILATION FORCÉE

N° de modèle

MH530FAET
MH530FAERT

LIRE ATTENTIVEMENT CES INSTRUCTIONS : Lire et suivre toutes les instructions. Placer ces instructions dans un endroit sûr pour référence future. Ne pas permettre à quiconque qui n'aurait pas lu ces instructions de procéder à un assemblage, un ajustement ni au fonctionnement de ce radiateur.



MH530FAERT



MH530FAET

Languages included

- English
- Spanish
- French

⚠ AVERTISSEMENT : Si l'information décrite dans ce manuel n'est pas respectée exactement, un incendie ou une explosion peut en résulter et cela peut causer des dommages à la propriété, une blessure personnelle ou un décès.

- Ce radiateur comporte des pièces chaudes ou qui produisent un arc électrique, à l'intérieur. Ne pas l'utiliser dans des endroits où de l'essence, de la peinture ou d'autres liquides inflammables sont utilisés ou entreposés.
- Tout service doit être effectué par une agence de service qualifiée.

Définitions : Directives de sécurité et INSTRUCTIONS IMPORTANTES

Les définitions ci-dessous décrivent le niveau de sévérité pour chaque terme des mises en garde. Veuillez lire le manuel attentivement et porter une grande attention à ces symboles.

- ⚠ Danger :** Indique une situation de danger imminent qui, si elle n'est pas évitée, **résultera en décès ou blessure grave.**
- ⚠ Avertissement :** Indique situation potentiellement dangereuse qui, si elle n'est pas évitée, **pourrait résulter en un décès ou en blessure grave.**
- ⚠ Prudence :** Indique une situation potentiellement dangereuse qui, si elle n'est pas évitée, **peut résulter en blessure mineure ou modérée.**
- Avis :** Indique une pratique sans relation avec une blessure personnelle qui, si elle n'est pas évitée, **peut résulter en des dommages à la propriété.**

⚠ AVERTISSEMENT : NE PAS FAIRE FONCTIONNER CE RADIATEUR TANT QUE VOUS N'AUREZ PAS BIEN LU ET COMPRIS CE MANUEL D'INSTRUCTIONS, DÉCRIVANT LES INSTRUCTIONS POUR LA SÉCURITÉ, DE FONCTIONNEMENT ET D'ENTRETIEN.

⚠ PRUDENCE : L'utilisation de ce radiateur de quelque manière qui ne serait pas décrite dans ce manuel peut causer un incendie, un choc électrique, une blessure personnelle et/ou des dommages à la propriété.

⚠ PRUDENCE : Ce radiateur est chaud lorsqu'il est utilisé. Afin d'éviter des brûlures, ne jamais laisser la peau nue entrer en contact avec les surfaces chaudes. Garder tout matériau combustible, comme les meubles, oreillers, la literie, les papiers, vêtements et les rideaux, à une distance d'au moins 6 pieds (1,8 m) de l'avant du radiateur, et les garder distancés d'au moins 2 pieds (0,6 m) des côtés et de l'arrière.

⚠ PRUDENCE : Afin d'éviter un fonctionnement non-intentionnel du radiateur, toujours débrancher l'appareil de la source d'alimentation lorsqu'il n'est pas utilisé.

⚠ PRUDENCE : Ne pas recouvrir le câble d'alimentation ni faire courir le câble sous un tapis ou une carpe. Placer le cordon et les connexions éloignés des aires de trafic, afin d'éviter qu'il constitue un risque de chute.

⚠ PRUDENCE : Brancher l'appareil uniquement dans des prises de courant munies d'une mise à la terre adéquate, et sur des systèmes électriques de calibre et avec une mise à terre appropriés.

⚠ PRUDENCE : Ne pas utiliser cet appareil avec du filage ou des connexions électriques de calibre insuffisant. Ils pourraient surchauffer et causer un risque d'incendie.

⚠ AVERTISSEMENT : CET APPAREIL N'EST PAS CONÇU POUR UN USAGE INTÉRIEUR À UN ENDROIT OU LE RADIATEUR POURRAIT ÊTRE EXPOSÉ À DE L'EAU. ÉVITER DE L'UTILISER DANS UNE SALLE DE BAIN, UNE SALLE DE LAVAGE ET TOUTE AUTRE RÉGION OÙ L'APPAREIL POURRAIT ENTRER EN CONTACT AVEC DE L'EAU.

⚠ AVERTISSEMENT : Ne pas utiliser ce radiateur si l'appareil, la fiche ou le cordon présente un dommage visible, ou si l'appareil a subi une défaillance. Communiquer avec un électricien qualifié avant de réutiliser l'appareil.

⚠ AVERTISSEMENT : Ne pas exposer l'appareil à des conditions mouillées; l'appareil est conçu pour usage à l'intérieur seulement.

AVERTISSEMENT : Ce radiateur n'est pas conçu pour utilisation dans une salle de bain, une salle de lavage et tout emplacement intérieur similaire. Ne jamais localiser le radiateur dans un endroit duquel il pourrait tomber dans une baignoire ou dans un autre contenant d'eau ou de liquide.

⚠ AVERTISSEMENT : Ne pas insérer ou permettre à des objets étrangers d'entrer dans l'appareil via les événements d'aspiration ou d'évacuation sur l'appareil. Un manquement à respecter cet avertissement peut résulter en un choc électrique, un incendie ou dommage à l'appareil.

⚠ AVERTISSEMENT : Pour prévenir un incendie, ne pas bloquer les événements d'aspiration ou d'évacuation de quelque manière. Ne pas utiliser sur des surfaces molles comme sur un lit, et là où les ouvertures pourraient se bloquer.

⚠ AVERTISSEMENT : Cet appareil est équipé avec des composantes électriques internes actives, qui créent des étincelles lors de l'utilisation. Ne pas utiliser dans des endroits où des vapeurs d'essence, de peinture ou d'autres liquides inflammables pourraient être présentes.

⚠ AVERTISSEMENT : Il faut être très prudent lorsqu'un radiateur est utilisé par des enfants, ou près des enfants ou de personne invalide, et lorsque le radiateur fonctionne sans surveillance.

⚠ AVERTISSEMENT : Ne pas faire fonctionner un radiateur si son cordon ou sa fiche est endommagé, ou après une défaillance du radiateur, après qu'il ait tombé ou qu'il ait été endommagé de quelque manière. Dans ces cas, il ne faut pas utiliser le radiateur, et il faut le porter à une installation qualifiée de service pour inspection et/ou réparation.

⚠ AVERTISSEMENT : Ne pas utiliser cet appareil à l'extérieur.

⚠ AVERTISSEMENT : Utiliser seulement ce radiateur tel que décrit dans ce manuel. Tout autre usage qui ne serait pas recommandé par le fabricant peut causer un incendie, un choc électrique ou une blessure personnelle.

CONSERVER CES INSTRUCTIONS.

CONTENTS

AVERTISSEMENTS	2
ASSEMBLAGE	3
OPÉRATION	3
SPÉCIFICATIONS.....	3
DÉGAGEMENT	3
ENTRETIEN	3
DÉPANNAGE	4
SCHÉMA DE CÂBLAGE.....	7
LISTE DES PIÈCES	8
VUE ÉCLATÉE.....	9
GARANTIE	10
INSTRUCTIONS POUR LA COMMANDE DE PIÈCES	10

LANGUES

ANGLAIS	1-8
ESPAGNOL	1-8
▶ FRANÇAIS	1-8

INFORMATION GÉNÉRALE

CONSERVER CE MANUEL POUR RÉFÉRENCE FUTURE. POUR TOUTE QUESTION, PROBLÈME OU PIÈCE MANQUANTE AVANT DE RETOURNER L'APPAREIL À VOTRE DÉTAILLANT, VEUILLEZ APPELER AU NUMÉRO SUIVANT, EN AYANT EN MAIN LE NUMÉRO DE MODÈLE ET LE NUMÉRO DE SÉRIE DU RADIATEUR : 1-800-321-0001 DU LUNDI AU VENDREDI DE 8H00 À 17H00, HEURE DE L'EST, OU NOUS TRANSMETTRE UN COURRIEL VIA LE SITE WEB DE MR. HEATER : WWW.MRHEATER.COM

Afin d'offrir le meilleur service possible, MR. HEATER vous offre dorénavant plus de moyen pour nous contacter, notamment :



FACEBOOK: Trouvez-nous sur Facebook



TWITTER: Trouvez-nous sur Twitter



YouTube: Plusieurs vidéos informatives sont disponibles sur YouTube.

Site Web : La gamme complète des produits de MR. HEATER est disponible à l'adresse WWW.MRHEATER.COM

SPÉCIFICATIONS

Modèle :	MH530FAET	MH530FAERT
Puissance de chauffage BTU/Watts	18084/5300	18084/5300
Débit d'air (pi ³ /min)	246	246
Alimentation électrique	240Vac	240Vac
Thermostat	32 F - 185 F	32 F - 185 F
Cordon d'alimentation	4' POWER CABLE INCLUDED	4' POWER CABLE INCLUDED
Dimensions: (L"xW"xH")	13.18"x12.2"x13.97"	14.37"x13.77"x16.14"
Poidst (lbs.)	16.7 LBS.	17.75 LBS.
Dégagement des produits combustibles		
Sortie (M)	6' (1.8M)	6' (1.8M)
Arrière (M)	2' (.6M)	2' (.6M)
Côtés (M)	2' (.6M)	2' (.6M)

Assembly & Installation:

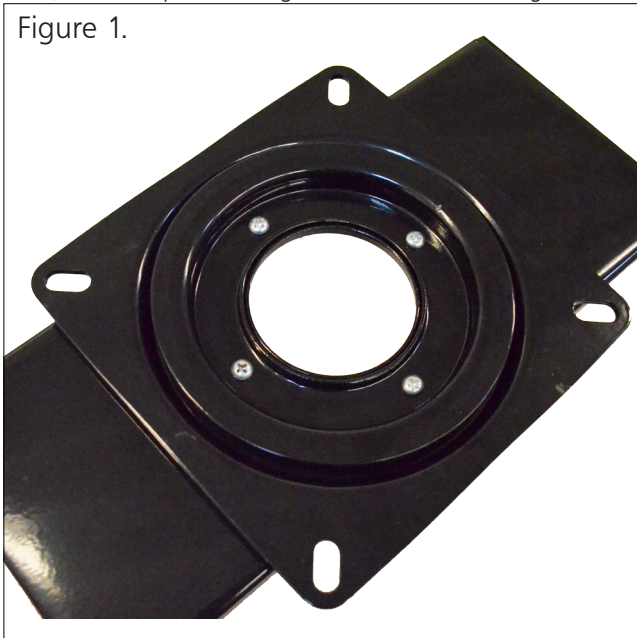
- Remove the heater and all of the packaging material from the box.
- Check all of the packing material for loose parts and set aside.
- Thoroughly inspect the heater for damage. If any is found do not contact the place of purchase. Please call the Manufacturer at 800-251-0001.

INCLUDED IN THE BOX:

- Heater
- Hanging bracket
- Mounting plate
- Swivel Plate
- Angle adjustment knobs
- Heater fastening bolts
- 4- 8 mm Nuts, Bolts and lock washers

To Assemble, use the 8 mm nuts, bolts and lock washers to the attach the swivel plate and the Mounting Plate to the hanging bracket See figure 1. The nut and lock washer should be on the underside.

Next, Locate a space to hang the heater on the ceiling. The

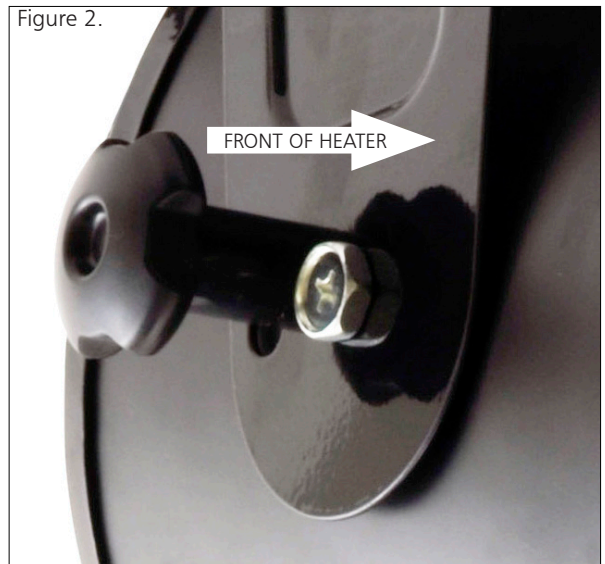


selected space should leave enough room to maintain the

clearance to combustibles outlined in the specifications table on page 3 and should be located within 4 feet of your power connection or the location of where you plan to mount the junction box your heater will be supplied from.

Once a location has been selected, fasten the mounting bracket and accompanying hanging kit with 4 appropriately sized lag bolts/or wall anchors that can support the weight of the heater (not included). The weight of your heater can be found in the specifications table on page 3. The best option is to attach the anchors directly into a solid surface like a joist or plywood. If that is not available consult with your local hardware store for other options. There are many different Drywall anchors or masonry anchors that will work.

Once you have selected a location and mounted the hanging brackets you can now hang the heater. It is recommend that you have help for this step. While you or your helper is holding the heater in place, install the two large Phillips head bolts and angle adjustment knobs. See figure 2. At this point the heater should look like the photo on the front of this manual.



Wiring information:

The heaters covered in this manual are designed to be installed and serviced by only licensed trained professionals. Heaters should only be installed on a dedicated 240 volt circuit with a 30 amp double pole breaker. Refer to NEC code ~~XXXXXXXXXX~~ for specifics.

Remote Thermostat:

Units equipped with a remote thermostat will need to have the cradle for the thermostat mounted in an appropriate location. Using two wall anchors, (not included) mount the Thermostat cradle to the wall. Select a location within 3.5 feet of the heater. The cradle should be mounted in a location as to not be affected by the air flow of the heater. If possible do not mount on an un-insulated wall or in direct sunlight. That may cause the heater to cycle unnecessarily.

Operational Information

Heat is created by electric current passing through coiled metal elements bringing them up to very high temperatures. The fan then passes room air over the hot elements exchanging cold air for warm. The air moving over the coils keeps them from reaching temperatures that are not safe for the normal operation of the heater. Therefore it is important to keep all combustible materials and any objects that may be sucked into the fan blades at a safe distance (please refer to the specification table for appropriate clearances). Make sure that the fan blades remain unobstructed at all times. Keep unit clean and dust free. Do not block unit intake or exhaust at any time. If damage has occurred please refer to the parts listing in this manual and contact the manufacturer for a replacement.

WARNING: The electrical circuit must be properly grounded, failure to do so may result in electric shock or property damage.

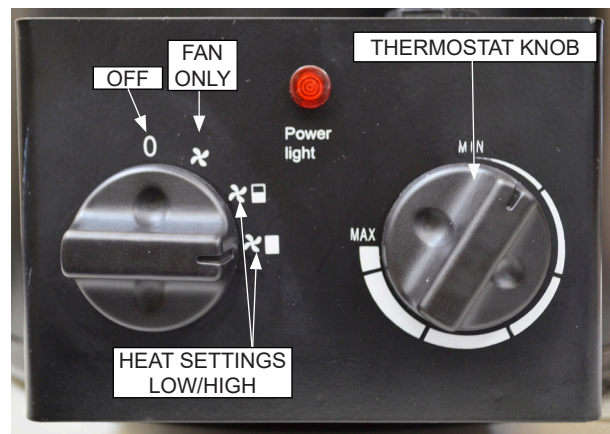
WARNING: Always plug or wire heaters directly into a wall receptacle or appropriate junction box. Never use with an extension cord or re-locatable power tap (outlet/power strip).

These Electric forced air heaters are specifically designed to be permanently installed by hanging from ceiling or overhead structure. Do not attempt to use them as a portable heater.

Starting Instructions

1. With the heater properly installed and the power supplied to the unit move the heat selection knob to the setting you want. There are both high and low settings, along with a fan only option. Refer to Figure 3, for information about each setting.
2. Turn thermostat to desired setting. Clockwise will increase the set point, counter clockwise will reduce the setting. An audible click can be heard when the current temperature in the space is matched on the dial.
3. The Heating element and fan will remain on until the temperature setting is reached. The unit will cycle on and off as needed.

CONTROL



To Stop Heating

1. Rotate the thermostat knob to the lowest position.
2. Rotate the power switch into the "off" position.

Maintenance

WARNING:

Never attempt to service the heater while the unit is hot or in use. Only qualified service technicians should service these units.

- Thoroughly inspect the unit prior to use.
- Keep heater clean and free of dust and debris.
- The use of an air compressor can be used to blow out the dust from the heater case. Be sure to only use moderate air pressure as to not damage any internal components.
- A soft dry cloth should be used for cleaning of outer shell and mounting brackets.
- The fan motor is sealed and does not need to be lubricated.

For service :

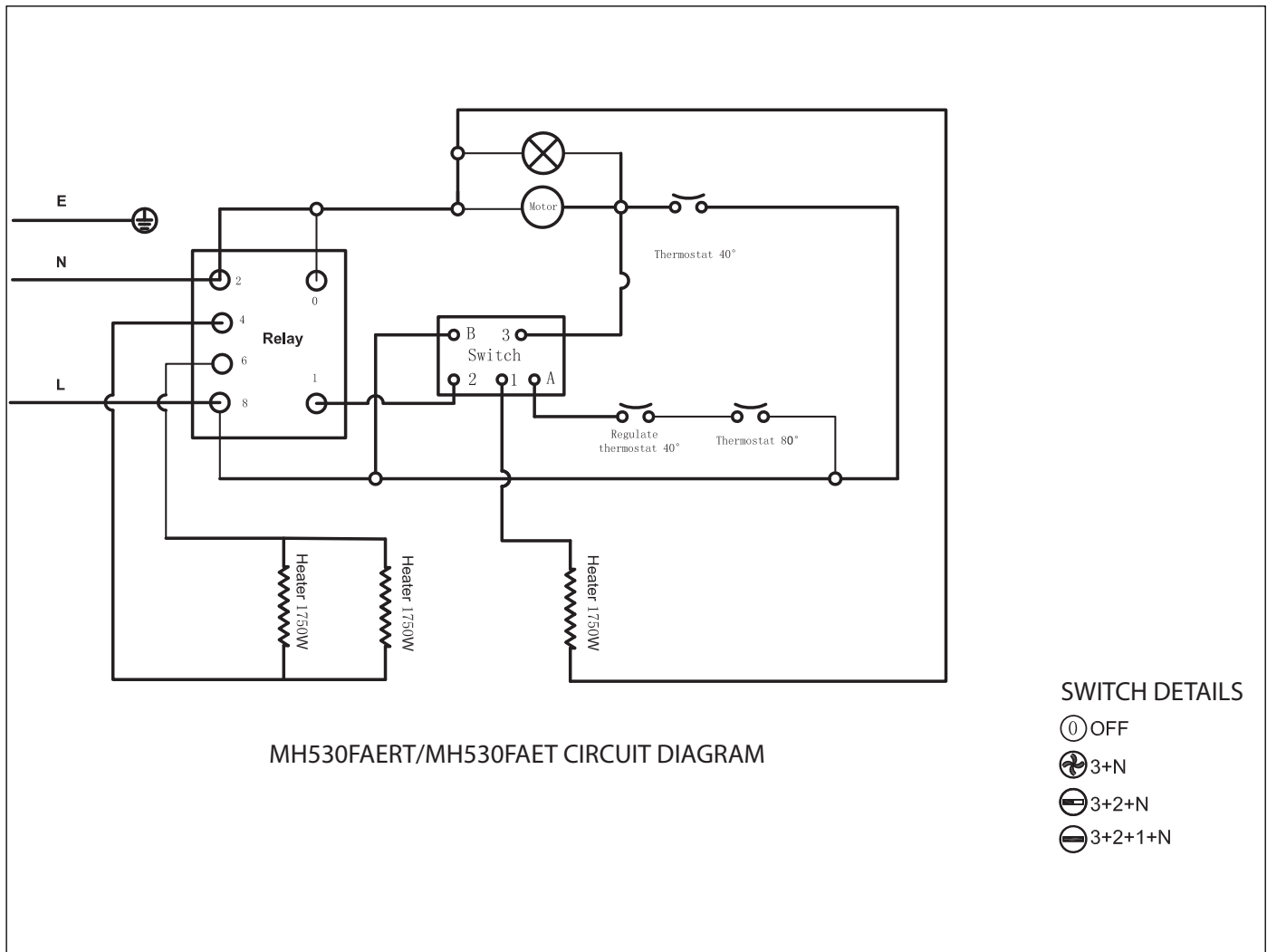
Please call Toll-Free 800-251-0001 www.mrheater.com
Our office hours are 8:00 AM – 5:00 PM, EST, Monday through Friday. Please include the model number, date of purchase, and description of problem in all communication.

Dépannage

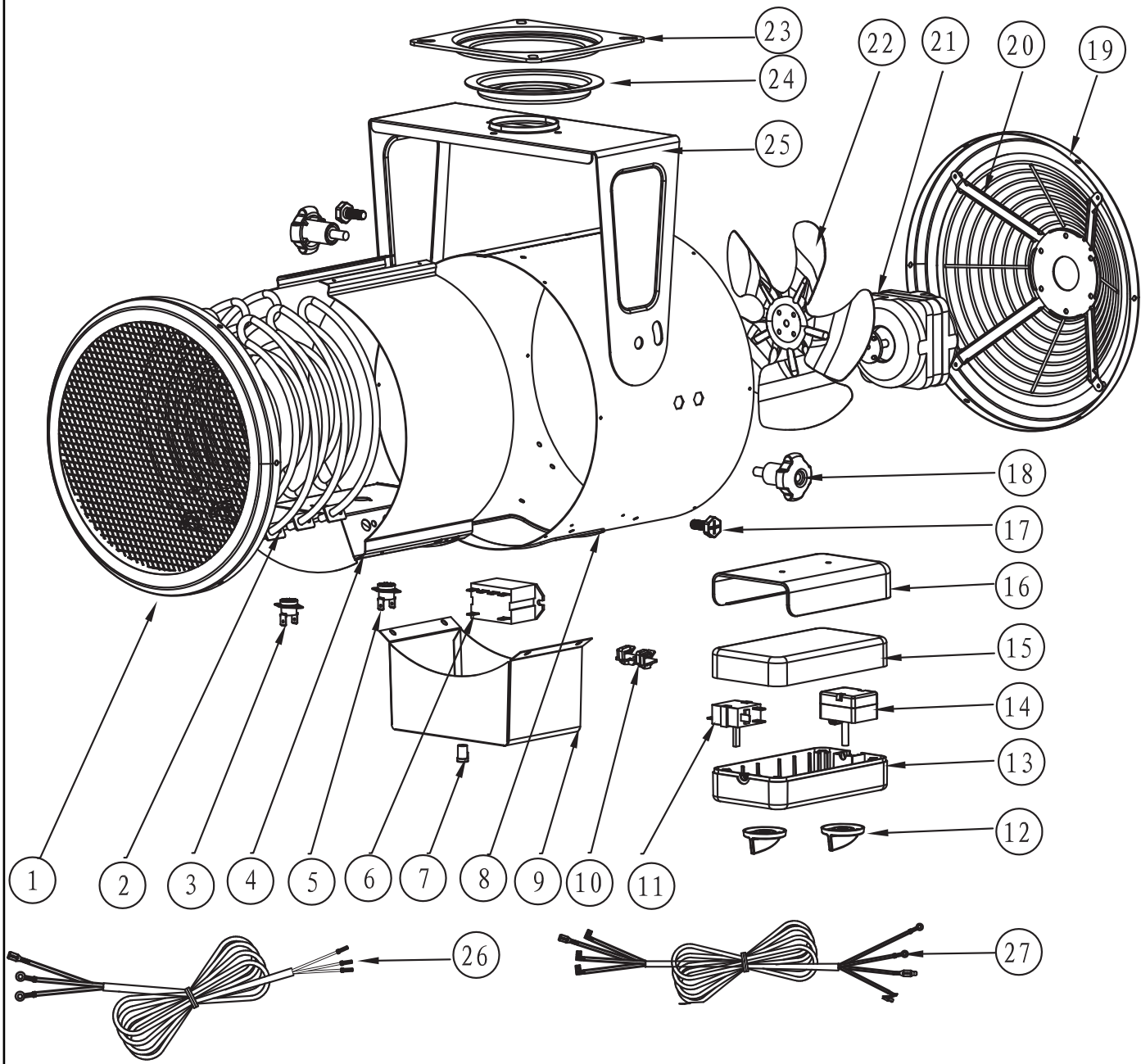
L'appareil ne fonctionne pas	<ul style="list-style-type: none"> • Thermostat défectueux ou mauvais réglage du thermostat • Disjoncteur ouvert ou fusible brûlé • Protection thermique enclenchée • Fiche ou prise de courant endommagée ou défectueuse
L'appareil fonctionne continuellement	<ul style="list-style-type: none"> • Thermostat défectueux ou mauvais réglage du thermostat • Pertes de chaleur plus grandes que la capacité de l'appareil (capacité de l'appareil insuffisante)
Les éléments chauffent mais le moteur ne tourne pas	<ul style="list-style-type: none"> • Moteur défectueux • Hélice du ventilateur bloquée
Le boîtier est extrêmement chaud	<ul style="list-style-type: none"> • Protection thermique défectueuse • Évents bloqués • Moteur défectueux
Impossible d'atteindre la température voulue dans la pièce	<ul style="list-style-type: none"> • Un ou plusieurs éléments sont défectueux • Thermostat défectueux ou mauvais réglage du thermostat • Le voltage est inférieur à ce qui est indiqué sur l'affiche des spécifications • Pertes de chaleur plus grandes que la capacité de l'appareil (capacité de l'appareil insuffisante)
Surchauffe	<ul style="list-style-type: none"> • Thermostat défectueux, entrée d'air bloquée ou problème avec la prise de courant (déclenchement de la protection) • Moteur défectueux (fonctionnement lent du moteur)

⚠ AVERTISSEMENT : UTILISER UNIQUEMENT DES PIÈCES DE RECHANGE D'ORIGINE DU FABRICANT. L'UTILISATION D'AUTRES PIÈCES DE RECHANGE PEUT ENTRAÎNER DES BLESSURES OU UN DÉCÈS. LES PIÈCES DE RECHANGE SONT SEULEMENT DISPONIBLES DIRECTEMENT AUPRÈS DU FABRICANT ET ELLES DOIVENT ÊTRE INSTALLÉES PAR UNE AGENCE DE SERVICE QUALIFIÉE.

SCHÉMA DE CÂBLAGE DU MH530FAERT/MH530FAET



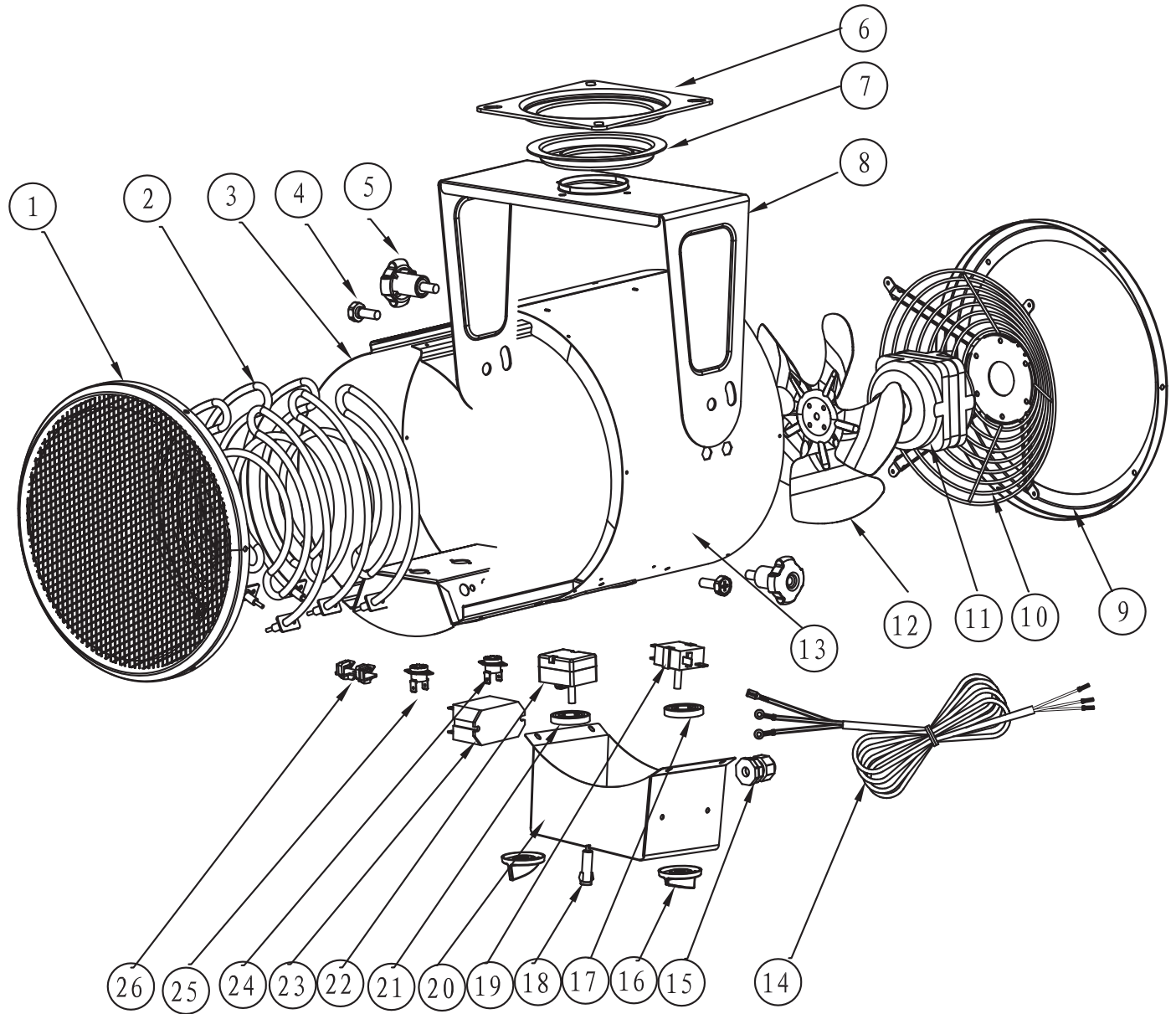
MH530FAERT



#	P/N	DESCRIPTION	QTY
1	41252	Grillage de sortie	1
2	41253	Élément de chauffage	1
3	41227	Interrupteur de haute limite (1)	1
4	41254	Chambre Interne	1
5	41229	Interrupteur de haute limite (2)	
6	41230	Contacteur Terminal Block	
7	41231	LED	1
8	41232	Baril externe	1
9	41233	Boîtier de contrôle	1
10	N/A	Wire Ties	2
11	41235	Thermostat	1
12	41267	Bouton de contrôle	1
13	41237	Télécommande boîtier de thermostat Haut	1
14	41259	Réglage du commutateur de commande	1

#	P/N	DESCRIPTION	QTY
15	41239	Télécommande Bas boîtier de thermostat	1
16	41240	Télécommande Cradle thermostat à montage mural	1
17	41241	Boulon	1
18	41242	Angle Bouton de Réglage	1
19	41243	Protection d'écran	1
20	41244	Screen Support de Garde	1
21	41245	Moteur du ventilateur	
22	41246	Hélice du ventilateur	1
23	41247	Plaque de Montage	
24	41248	Plaque pivotante	
25	41249	Support de Montage	
26	41250	Cordon d'alimentation	1
27	41251	Cordon d'Thermostat	1

MH530FAET



#	P/N	DESCRIPTION	QTY	#	P/N	DESCRIPTION	QTY
1	41252	Grillage de sortie	1	14	41250	Cordon d'alimentation	1
2	41253	Élément de chauffage	1	15	41266	Réducteur de Tension	1
3	41254	Chambre Interne	1	16	41267	Bouton de contrôle	1
4	41255	Boulon	1	17	41268	Thermostat Ressort Hélicoïdal	1
5	41256	Angle Bouton de Réglage	1	18	41269	LED de Puissance	1
6	41257	Plaque de Montage	1	19	41270	Thermostat	1
7	41258	Plaque Pivotante	1	20	41271	Boîtier de contrôle	1
8	41259	Support de Montage	1	21	41272	Sélecteur Spring	2
9	41260	Gardes Support	2	22	41273	Interrupteur de Sélection	1
10	41261	Grille Protectrice du Ventilateur	2	23	41274	Contacteur Terminal Block	2
11	41262	Moteur du ventilateur	1	24	41275	Interrupteur de haute limite (1)	1
12	41263	Hélice du ventilateur	1	25	41276	Interrupteur de haute limite (2)	1
13	41264	Baril externe	1	26	N/A	Liens Métalliques	1



MANUEL DE L'UTILISATEUR ET INSTRUCTIONS D'OPÉRATION

N° de modèle

MH530FAET
MH530FAERT



AVERTISSEMENT :

UTILISER UNIQUEMENT LES PIÈCES DE RECHANGE D'ORIGINE DU FABRICANT. L'UTILISATION D'AUTRES PIÈCES DE RECHANGE PEUT ENTRAÎNER DES BLESSURES OU UN DÉCÈS. LES PIÈCES DE RECHANGE SONT SEULEMENT DISPONIBLES DIRECTEMENT AUPRÈS DU FABRICANT ET ELLES DOIVENT ÊTRE INSTALLÉES PAR UNE AGENCE DE SERVICE QUALIFIÉE.

INFORMATION POUR LA COMMANDE DE PIÈCES :

APPROVISIONNEMENT : Il est possible d'acheter des accessoires auprès d'un détaillant local des produits MR. HEATER ou directement du fabricant.

POUR DE L'INFORMATION CONCERNANT LE SERVICE

Veillez appeler sans frais au numéro 800-251-0001 ou visiter notre site Web à l'adresse www.mrheater.com
Nos heures d'ouverture de bureau sont de 8h00 à 17h00, HNE, du lundi au vendredi.

Veillez inclure le numéro de modèle, la date d'achat et une description du problème dans toutes vos communications.

GARANTIE LIMITÉE

MR. HEATER, Inc., garantit ses radiateurs et accessoires pour être libres de tout vice de matériau et de main-d'œuvre pour une période d'une (1) année de la date d'achat. MR. HEATER, Inc., va réparer ou remplacer ce produit sans frais s'il a été prouvé qu'il soit défectueux, pendant une période d'une (1) année, et s'il a été retourné aux frais du client avec la preuve d'achat à l'attention de MR. HEATER, Inc., pendant la période de garantie.

MR. HEATER, Inc., se réserve le droit de faire des changements en tout temps, sans préavis ni obligation, dans les couleurs, les spécifications, les accessoires, les matériaux et les modèles

MR. HEATER, INC., 4560 W. 160TH ST., CLEVELAND, OHIO 44135 • 800-251-0001

Mr. Heater is a registered trademarks of Mr. Heater, Inc.

© 2017, Mr. Heater/Mr. Heater. All rights reserved



U.L. 221

CSA C22.2#46