

NEVER LEAVE THE HEATER UNATTENDED WHILE BURNING!



OPERATING INSTRUCTIONS AND OWNER'S MANUAL

Model #

MH60CLP

READ INSTRUCTIONS CAREFULLY: Read and follow all instructions. Place instructions in a safe place for future reference. Do not allow anyone who has not read these instructions to assemble, light, adjust or operate the heater.



FORCED AIR PROPANE CONSTRUCTION HEATER

LANGUAGES INCLUDED
• ENGLISH
• FRENCH
• SPANISH

WARNING: If the information in this manual is not followed exactly, a fire or explosion may result, causing property damage, personal injury or loss of life.

- Do not store or use gasoline or other flammable vapors and liquids in the vicinity of this or any other appliance.
- An LP cylinder not connected for use shall not be stored in the vicinity of this or any other appliance.
- WHAT TO DO IF YOU SMELL GAS
 - Do not try to light appliance.
 - Extinguish any open flame.
 - Shut off gas to appliance.
- Service must be performed by a qualified service agency.

This is an unvented gas-fired portable heater. It uses air (oxygen) from the area in which it is used. Adequate combustion and ventilation air must be provided. Refer to page 3.

⚠️WARNING:

YOUR SAFETY IS IMPORTANT TO YOU AND TO OTHERS, SO PLEASE READ THESE INSTRUCTIONS BEFORE YOU OPERATE THIS HEATER.

⚠️GENERAL HAZARD WARNING:

FAILURE TO COMPLY WITH THE PRECAUTIONS AND INSTRUCTIONS PROVIDED WITH THIS HEATER, CAN RESULT IN DEATH, SERIOUS BODILY INJURY AND PROPERTY LOSS OR DAMAGE FROM HAZARDS OF FIRE, EXPLOSION, BURN, ASPHYXIATION, CARBON MONOXIDE POISONING, AND/OR ELECTRICAL SHOCK. ONLY PERSONS WHO CAN UNDERSTAND AND FOLLOW THE INSTRUCTIONS SHOULD USE OR SERVICE THIS HEATER.

IF YOU NEED ASSISTANCE OR HEATER INFORMATION SUCH AS AN INSTRUCTIONS MANUAL, LABELS, ETC. CONTACT THE MANUFACTURER.

⚠️ WARNING: Fuels used in liquefied propane gas appliances, and the products of combustion of such fuel, can expose you to chemicals including benzene, which is known to the state of California to cause cancer and cause birth defects or other reproductive harm, for more information go to www.P65Warnings.ca.gov

⚠️WARNING:

CARBON MONOXIDE CAN KILL YOU

NOT FOR HOME OR RECREATIONAL VEHICLE USE, USING A PORTABLE HEATER IN AN ENCLOSED AREA CAN PRODUCE DEADLY CARBON MONOXIDE

⚠️WARNING:

FIRE, BURN, INHALATION, AND EXPLOSION HAZARD. KEEP SOLID COMBUSTIBLES, SUCH AS BUILDING MATERIALS, PAPER OR CARDBOARD, A SAFE DISTANCE AWAY FROM THE HEATER AS RECOMMENDED BY THE INSTRUCTIONS. NEVER USE THE HEATER IN SPACES WHICH DO OR MAY CONTAIN VOLATILE OR AIRBORNE COMBUSTIBLES, OR PRODUCTS SUCH AS GASOLINE, SOLVENTS, PAINT THINNER, DUST PARTICLES OR UNKNOWN CHEMICALS.

⚠️ WARNING: THIS PRODUCT CAN EXPOSE YOU TO CHEMICALS INCLUDING LEAD AND LEAD COMPOUNDS, WHICH ARE KNOWN TO THE STATE OF CALIFORNIA TO CAUSE CANCER AND BIRTH DEFECTS OR OTHER REPRODUCTIVE HARM. FOR MORE INFORMATION VISIT WWW.P65WARNINGS.CA.GOV

CONTENTS

HEATER SPECIFICATIONS 2

WARNINGS 2

OPERATING PRECAUTIONS 3

SAFETY PRECAUTIONS 3

ODOR FADE WARNING 4

PREPARING FOR OPERATION 5

BATTERY CHARGING PROCEDURE 5

BATTERY INFORMATION 5

BATTERY RECYCLING INFORMATION 5

HEATER OPERATION 6

MAINTENANCE AND STORAGE 6

SERVICING 6

WIRING SCHEMATIC 7

PROPANE INFORMATION 8

PARTS LIST 9

WARRANTY INFORMATION 11

SPECIFICATIONS

Type of Gas:.....	For use with Propane Only
Gas Supply Pressure	
to regulator	Max: 200 psi (1380 kPa)
	Min: 5 psi (34.4 kPa)
regulator out	59" WC (14.70 kPa)
Manifold Pressure:	49" WC (12.21 kPa)
Electrical Input:	110/220V, 50/60 Hz, 1Ø, 2A
Ignition:.....	Auto Spark/Manual Gas Valve
Primary Flame Control:.....	Thermocouple Operated Gas Valve
High Temperature Control:	240 °F (115 °C)
	Min. Ambient Temp. Rating 0 °F (-17.8 °C)
Model:.....	MH60CLP
Rating:.....	30,000 - 60,000 BTU/hr
	(8.79 - 17.58 kW)
Fuel Consumption:.....	2.78 #/hr (1.26 kg/hr)
Fuel Orifice Port Size:	1.55mm
Fan Rating:	135 cfm
Charge time	5 hours
Run time	4 hours (8 hours using kit F227964)

OPERATING PRECAUTIONS

This is a propane, direct-fired, forced air heater. It's intended use is primarily temporary heating of buildings under construction, alteration or repair.

Propane is heavier than air. If propane leaks from a connection or fitting, it sinks to the floor, collecting there with the surrounding air, forming a potentially explosive mixture. Obviously, propane leaks should be avoided, so set up the propane supply with utmost care. Read enclosed Odor Fade and Propane Sheet for additional information about detecting propane leaks. Leak check new connections or reconnections with a soap and water solution and follow all connection instructions herein. Also, ask your propane dealer for advice on the propane application and supply installation and ask him to check it if there are any questions.

This heater was designed and certified for use as a construction heater in accordance with ANSI Standard Z83.7/CGA 2.14. Check with your local fire safety authority if you have any questions about your applications. Other standards govern the use of fuel gases and heat producing products in specific applications. Your local authority can advise you about these.

Direct-Fired means that all of the combustion products enter the heated space. Even though this heater operates very close to 100 percent combustion efficiency, it still produces small amounts of carbon monoxide. Carbon monoxide (called CO) is toxic. We can tolerate small amounts but not a lot. CO can build up in a heated space and failure to provide adequate ventilation could result in death. The symptoms of inadequate ventilation are:

- headache
- dizziness
- burning eyes and nose
- nausea
- dry mouth or sore throat

So, be sure to follow advice about ventilation in these operating instructions.

Forced Air means that a blower or fan pushes the air through the heater. Proper combustion depends upon this air flow; therefore, the heater must not be revised, modified or operated with parts removed or missing. Likewise, safety systems must not be circumvented or modified in order to operate the heater.

When the heater is to be operated in the presence of other people the user is responsible for properly acquainting those present with the safety precautions and instructions, and of the hazards involved.

SAFETY PRECAUTIONS

1. Check the heater thoroughly for damage. DO NOT operate a damaged heater.
2. **DO NOT** modify the heater or operate a heater which has been modified from its original condition.
3. Use only propane gas.
4. Use only VAPOR WITHDRAWAL propane supply. If there is any question about vapor withdrawal, ask your propane dealer.
5. Mount the propane cylinders vertically (shutoff valve up). Secure them from falling or being knocked over and protect them from damage.
6. Locate propane containers at least (USA) 7 ft. (2.13m), (Canada) 10 ft. (3m) from the heater and **do not** direct exhaust toward containers.
7. **IMPORTANT** Use only the hose and regulator assembly provided with the heater. Match the color stripe on the hang tag attached to the hose assembly with the color on the label located near the propane inlet fitting on the heater. Inspect hose assembly before each use of the heater. If there is excessive abrasion or wear, or hose is cut, replace with hose assembly listed on parts list before using heater.
8. For indoor use only. Area must be well ventilated. Provide minimum openings of 1/2 sq. ft. (.046 m²) near the floor and 1/2 sq. ft. (.046 m²) near the ceiling (also see "Operating Precautions").
9. If at any time gas odor is detected, IMMEDIATELY DISCONTINUE operation until the source of gas has been located and corrected. Read enclosed Odor fade and Propane Sheet for additional information about detecting propane leaks.
10. Install the heater such that it is not directly exposed to water spray, rain and/or dripping water.
11. Maintain minimum clearance from normal combustible material (like paper) as follows: floor-0 ft. (0 m); outlet-6 ft. (1.83m); sides-2 ft. (.61m); top-6 ft. (1.83m). Locate 10 ft. (3m) from canvas or plastic tarpaulins or similar coverings and secure them to prevent flapping or movement due to wind action.
12. Due to the high surface and exhaust temperatures, adults and children must observe clearances to avoid burns or clothing ignition.
13. Operate only on a stable, level surface.
14. Do not use with duct work. Do not restrict inlet or outlet.
15. Use only the electrical power specified. The electrical connection and grounding must comply with National Electrical Code - ANSI/NFPA 70 (USA) and CSA C22.1 Canadian Electrical Code, Part 1 (Canada).
16. Use only a properly grounded 3-prong receptacle or extension cord (6 ft (1.83m) in length minimum).
17. Do not move, handle or service while hot or burning.
18. Use only in accordance with local codes or, in the absence of local codes, with the Standard for the Storage and Handling of Liquefied Petroleum Gases ANSI/NFPA 58 and CSA B149.1, Natural Gas and Propane Installation Code.

ODOR FADE WARNING

⚠️WARNING

Asphyxiation Hazard

- Do not use this heater for heating human living quarters.
- Do not use in unventilated areas.
- The flow of combustion and ventilation air must not be obstructed.
- Proper ventilation air must be provided to support the combustion air requirements of the heater being used.
- Refer to the specification section of the heater's manual, heater data plate, or contact the factory to determine combustion air ventilation requirements of the heater.
- Lack of proper ventilation air will lead to improper combustion.
- Improper combustion can lead to carbon monoxide poisoning leading to serious injury or death. Symptoms of carbon monoxide poisoning can include headaches dizziness and difficulty in breathing.

FUEL GAS ODOR

LP gas and natural gas have man-made odorants added specifically for detection of fuel gas leaks.

If a gas leak occurs you should be able to smell the fuel gas. Since Propane (LP) is heavier than air you should smell for the gas odor low to the floor. ANY GAS ODOR IS YOUR SIGNAL TO GO INTO IMMEDIATE ACTION!

- Do not take any action that could ignite the fuel gas. Do not operate any electrical switches. Do not pull any power supply or extension cords. Do not light matches or any other source of flame. Do not use your telephone.
- Get everyone out of the building and away from the area immediately.
- Close all propane (LP) gas tank or cylinder fuel supply valves, or the main fuel supply valve located at the meter if you use natural gas.
- Propane (LP) gas is heavier than air and may settle in low areas. When you have reason to suspect a propane leak, keep out of all low areas.
- Use your neighbor's phone and call your fuel gas supplier and your fire department. Do not re-enter the building or area.
- Stay out of the building and away from the area until declared safe by the firefighters and your fuel gas supplier.
- FINALLY, let the fuel gas service person and the firefighters check for escaped gas. Have them air out the building and area before you return. Properly trained service people must repair any leaks, check for further leakages, and then relight the appliance for you.

ODOR FADING - NO ODOR DETECTED

- Some people cannot smell well. Some people cannot smell the odor of the man-made chemical added to propane (LP) or natural gas. You must determine if you can smell the odorant in these fuel gases.
- Learn to recognize the odor of propane (LP) gas and natural gas. Local propane (LP) gas dealers will be more than happy to give you a scratch and sniff pamphlet. Use it to become familiar with the fuel gas odor.
- Smoking can decrease your ability to smell. Being around an odor for a period of time can affect your sensitivity to that particular odor. Odors present in animal confinement buildings can mask fuel gas odor.
- **The odorant in propane (LP) gas and natural gas is colorless and the intensity of its odor can fade under some circumstances.**
- If there is an underground leak, the movement of gas through the soil can filter the odorant.
- Propane (LP) gas odor may differ in intensity at different levels. Since Propane (LP) gas is heavier than air, there may be more odor at lower levels.
- **Always be sensitive to the slightest gas odor.** If you continue to detect any gas odor, no matter how small, treat it as a serious leak. Immediately go into action as discussed previously.

ATTENTION - CRITICAL POINTS TO REMEMBER!

- Propane (LP) gas has a distinctive odor. Learn to recognize these odors. (Reference Fuel Gas Odor and Odor Fading sections above.)
- Even If you are not properly trained in the service and repair of the heater, ALWAYS be consciously aware of the odors of propane (LP) gas and natural gas.
- If you have not been properly trained in repair and service of propane (LP) gas then do not attempt to light heater, perform service or repairs, or make any adjustments to the heater on the propane (LP) gas fuel system.
- A periodic sniff test around the heater or at the heater's joints; i.e. hose, connections, etc., is a good safety practice under any conditions. If you smell even a small amount of gas, CONTACT YOUR FUEL GAS SUPPLIER IMMEDIATELY. DO NOT WAIT!

PREPARING FOR OPERATION

1. Check the heater for possible shipping damage. If any is found, **immediately** notify the factory.
2. Charge battery (Refer to Battery Charging Procedure Section).
3. Follow all of the "Precautions".
4. Connect the POL fitting of hose and regulator assembly to the propane cylinder by rotating the POL nut counterclockwise into the propane cylinder's valve outlet and securely tighten with a wrench.
5. Connect the hose to the heater by rotating the hose fitting clockwise.

NEVER LEAVE THE HEATER UNATTENDED WHILE BURNING!

6. Securely tighten all gas connections.
7. Slowly open the cylinder's gas valve and check all gas connections with a soap and water solution, looking for bubbles that would indicate a gas leak. Note: if tank valve is not opened slowly, the excess flow check valve on the propane tank may stop gas flow. **DO NOT USE A FLAME.**
8. Close propane cylinder gas valve.

BATTERY CHARGING PROCEDURE & OPERATION

IT IS RECOMMENDED THAT THE BATTERY BE COMPLETELY CHARGED BEFORE THE HEATER'S INITIAL OPERATION AND RECHARGED AFTER USE TO PROLONG THE BATTERY LIFE. FREQUENT CHARGING WILL NOT HARM YOUR BATTERY AND WILL INSURE THAT THE BATTERY IS FULLY CHARGED AND READY FOR ITS NEXT USE. STORING THE BATTERY NOT FULLY CHARGED WILL SHORTEN BATTERY LIFE. REFER TO "OFF-SEASON STORAGE" SECTION.

1. Turn off heater.
2. Plug power/charging cord into the power receptacle on the heater rear guard and directly into a 120V electric outlet. **DO NOT ABUSE THE CORD.**
 - *Never carry the heater by the cord. Do not disconnect the heater from the outlet by pulling the cord.
 - *Always charge the heater in a dry area protected from the weather, Do not expose the heater or charger to rain. Do not charge in wet locations.
 - *Do not charge the battery when temperature is above 104 F (40 C) or below 0 F (-17.8 C).
 - *Charge the heater battery in a well ventilated location.
 - *Keep the heater and charger away from water, heat sources (such as radiators, other heaters, stoves, etc.), flames and / or chemicals. Be careful not to damage the charger cord by keeping cord away from sharp edges.

WARNING

To reduce the risk of fire, electric shock or personal injury do not attempt to use this charger with any other product. Likewise, do not attempt to charge the HERO battery with any other charger.

3. The green LED light on the on/off switch will begin a slow continuous flash indicating that the battery is charging.
4. The green LED light will stop blinking and turn off when the battery is fully charged.
5. It takes approximately 5 hours to charge a completely discharged battery.
6. The heater is designed to operate and charge the battery at the same time when plugged into a 120V outlet.
7. Mr Heater recommends continuously charging the battery, between heater uses, for optimal performance. If constant maintenance charging is not possible, it is recommended that the battery be fully charged every 3 months. See Maintenance and Storage section on page E-6.

8. **Low Battery:** The heater is equipped with an active battery monitoring system. When the heater is operating on the internal battery only, the green LED light on the control panel will begin to flash when there is approximately 1 hour of operating time remaining.
9. **Low Voltage Shutdown:** To prevent battery deep discharge and prolong battery life, the heater monitors the battery and safely shuts down when a specified voltage has been reached. The heater will not restart until it has been plugged into a 120V power source.

BATTERY INFORMATION

CAUTION: USE ONLY MR HEATER APPROVED REPLACEMENT BATTERIES—CONTACT YOUR LOCAL SERVICE CENTER OR CALL (800)251-0001 X3611.

The battery is a 12-volt sealed lead acid system. There is no liquid contained within the battery and the heater/battery can therefore be stored in any position without fear of leakage.

- * For optimal performance, the battery should be completely charged before the heater's initial operation and kept on constant charge when not in use.
- * The battery should be charged in its proper orientation.
- * The battery does not need to be fully discharged before recharging.
- * 2 to 3 initial charging cycles may be required after purchase to achieve maximum run time capacity.
- * A fully charged battery can be safely stored down to -17 C (-0 F).
- * The Battery is maintenance free.
- * The battery is intended for use in the Mr Heater HERO heater only and should not be used for any other purpose.
- * The battery charges from empty to full in 5 hours.
- * The heater will operate for 4 hours on a fully charged battery.
- * Accessory kit F227964 can be added to the heater to extend operation to 8 hours on a full charge.

The RBRC™ SEAL (BATTERY RECYCLING)

The RBRC™ (Rechargeable Battery Recycling Corporation) seal on the lead acid battery (or battery pack) indicates that the costs to recycle the battery (or battery pack) at the end of its useful life have been paid by ENERCO GROUP INC. In some areas, it is illegal to place spent lead acid batteries in the trash or municipal solid waste stream and the RBRC program provides an environmentally conscious alternative.

RBRC™ in cooperation with ENERCO GROUP INC and other battery users, has established programs in the United States and Canada to facilitate the collection of spent lead acid batteries. Help protect our environment and conserve natural resources by returning the lead acid battery to your local retailer for recycling. You may also contact your local recycling center for information on where to drop off the spent battery or call 1-(800)-822-8837



⚠️ WARNING

FIRE HAZARD—ALWAYS DISCONNECT THE HEATER FROM THE POWER SUPPLY (WALL OUTLET) BEFORE REMOVING THE POWER CORD FROM THE HEATER. UNDER CERTAIN CONDITIONS, WITH THE HEATER PLUGGED INTO THE POWER SUPPLY, THE EXPOSED CONNECTOR CAN BE SHORTED BY FOREIGN MATERIAL AND MAY CAUSE A FIRE. FOREIGN MATERIALS OF A CONDUCTIVE NATURE, SUCH AS, BUT NOT LIMITED TO, STEEL WOOL, ALUMINUM FOIL, OR ANY BUILD-UP OF METALLIC PARTICLES, SHOULD BE KEPT FROM THE CONNECTOR. ALWAYS UNPLUG HEATER BEFORE ATTEMPTING TO CLEAN.

HEATER OPERATION

START

1. The HERO heater is equipped with a blower fan switch, located on the control panel of the heater. Press the on/off switch to start the blower fan. Once the fan has been turned on, the green LED light on the control panel will turn on solid, indicating that the fan is operating. The blower fan must be turned on before the gas/igniter valve is SLOWLY pressed to light the heater.

NOTICE: The fuel valve (orange button) has a safety lockout and cannot be depressed until after the fan has been started.

2. Open propane supply valve on propane tank slowly. Note: If not opened slowly, excess-flow check valve on propane tank will stop gas flow. If this happens, close propane supply valve and open again slowly. Wait 15 seconds before Step 3.
3. After the blower fan has been started, SLOWLY depress the orange gas/igniter valve button located on the control panel to ignite the heater. If the heater fails to light, release the orange button and repeat this step. Keep the valve depressed for 30-60 seconds, after burner lights, then release and the heater will continue to operate. If the burner shuts off, wait 20 seconds and repeat these steps.

NOTICE: This heater is equipped with a safety solenoid lockout that prevents the gas valve being depressed until the heater is turned on and the fan is operating. This system allows 30 seconds for ignition attempts. After 30 seconds the heater must be reset for additional attempts. To reset, switch the on/off switch to off and then back on.

SAFETY SHUT DOWN FEATURE

When the heater detects a power source change (connect or disconnect AC power while operating) it will automatically shut down.

After shut down, the "START" procedure will have to be used to restart the heater.

LOW BATTERY VOLTAGE LOCKOUT

This heater is equipped with a low battery voltage lockout safety system that prevents operation if the battery voltage is too low.

STOP

1. Press the on/off switch to turn off the heater.
2. Turn off gas supply when heater is not in use.

MAINTENANCE AND STORAGE

1. The heater should be inspected before each use, and at least annually by a qualified person.
2. Before each use, check the soft "O" ring seat at the bullnose of the POL fitting. If the "O" ring is cut, scuffed, or otherwise damaged, replace it with part number F273786.
3. Turn off the gas at the LP-gas supply cylinder(s) when the heater is not in use.
4. When the heater is to be stored indoors, the connection between the LP-gas supply cylinder(s) and the heater must be disconnected and the cylinder(s) removed from the heater and stored out of doors and in accordance with Chapter 5 of the standard for Storage and Handling of Liquefied Petroleum Gases ANSI/NFPA 58 and CSA B149.1, Natural Gas and Propane Installation Code.
5. It is recommended that the internal battery be maintained on a constant maintenance charge by leaving it plugged into a 120V power source. If constant maintenance charging is not possible, it is recommended that the battery be fully charged every 3 months.
6. The heater may be stored with the charger disconnected if all of the following conditions are met.
 - The battery is fully charged before storing. (Failure to store fully charged will shorten battery life.)
 - The average temperature of the storage location is below 50 (10 C).
 - Storage duration is less than 6 months.

SERVICING

A hazardous condition may result if a heater is used that has been modified or is not functioning properly. When the heater is working properly:

- * The flame is contained within the heater.
- * The flame is essentially blue with perhaps some yellow tipping.
- * There is no strong disagreeable odor, eye burning or other physical discomfort.
- * There is no smoke or soot internal or external to the heater.
- * There are no unplanned or unexplained shut downs of the heater.

The parts lists and exploded view show the heater as it was constructed. Do not use a heater which is different from that shown. In this regard, use only the hose, regulator and cylinder connection fitting (called a POL fitting) supplied with the heater. **IMPORTANT** Match the color stripe on the hangtag attached to the hose assembly with the color on the label located near the propane inlet fitting on the heater. Do not use alternates. For this heater, the regulator must be set as shown in "specifications". If there is any uncertainty about the regulator setting, have it checked.

A heater which is **not** working right must be repaired, but **only** by a trained, experienced service person.

In-warranty products will be repaired with no charge for either parts or labor. Please include a brief statement indicating date, place of purchase, the nature of the problem and proof of purchase.

Out-of-warranty products will be repaired with a charge for parts, labor and shipping.

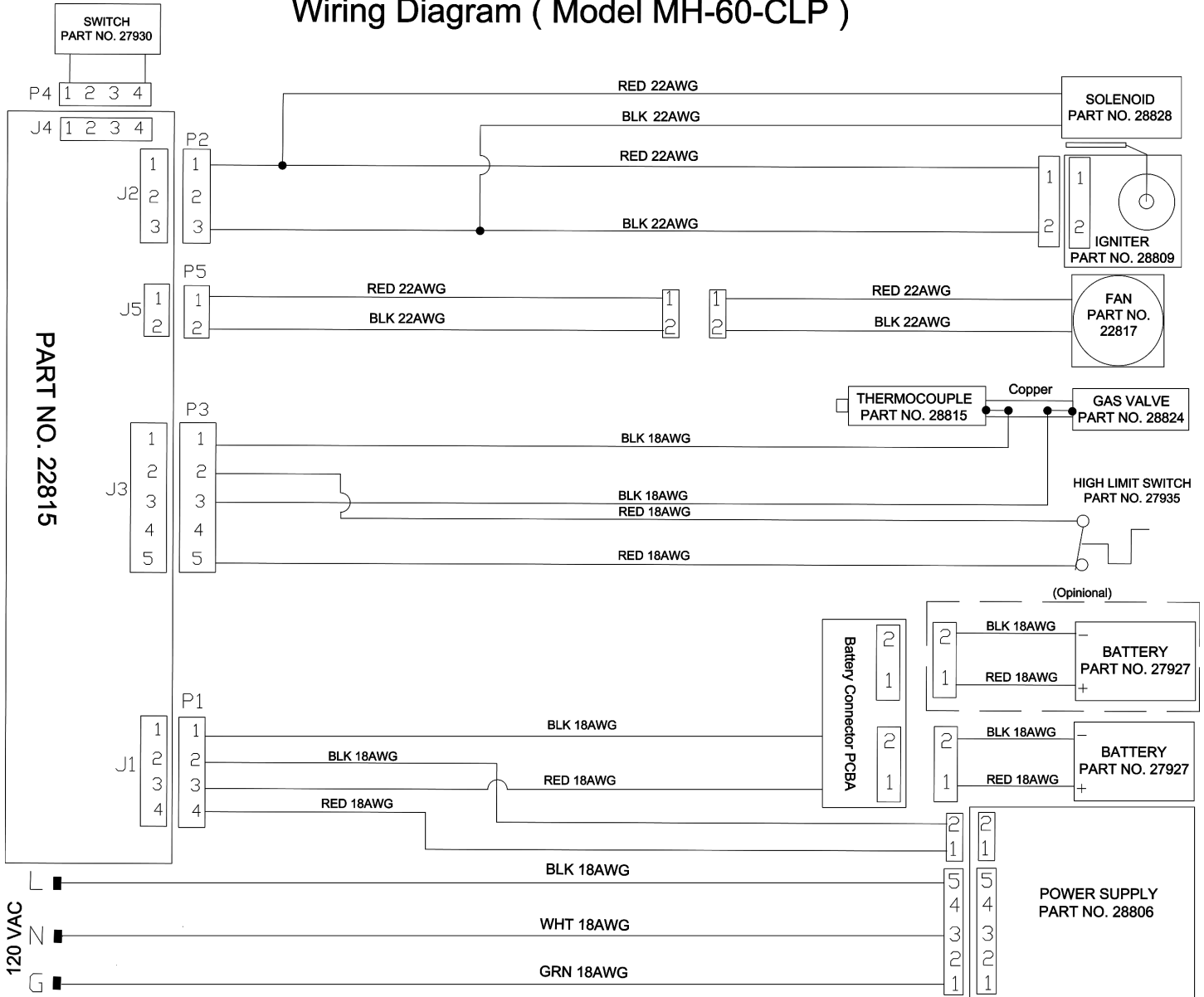
NEVER LEAVE THE HEATER UNATTENDED WHILE BURNING!

When service or repair is required, it is recommended that you take your heater to an authorized Mr Heater Service Center.

When servicing or replacing batteries, please note:

- Do not service the heater with battery connected or plugged into a power outlet.
- Do not operate a damaged heater. Replace damaged cords immediately.
- Use only Mr Heater original battery type.
- Do not dispose of the batteries in a fire. The cell may explode. See "Battery Recycling Information" below.
- Do not open or mutilate the batteries. Released electrolyte is corrosive and may cause damage to the eyes or skin. It may be toxic if swallowed.
- Exercise care in handling batteries in order not to short the battery with conducting materials such as rings, bracelets and/or keys. The battery and/or conductor may overheat and cause burns.

Wiring Diagram (Model MH-60-CLP)

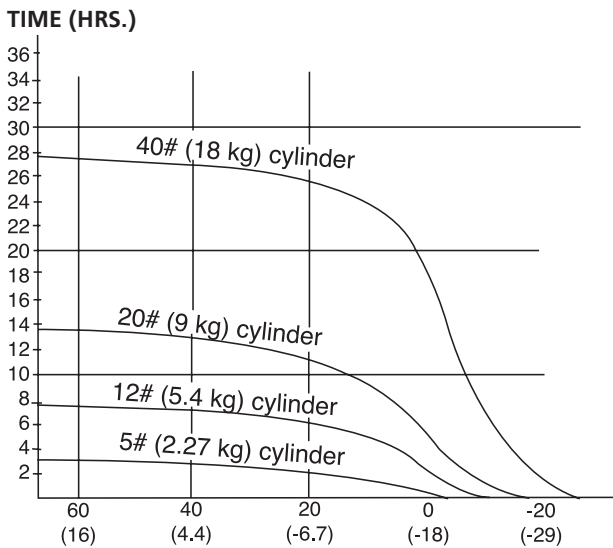


SIZE AND CAPACITY OF PROPANE CYLINDERS REQUIRED

The charts below show the approximate size of the cylinder required for these heaters. To use the chart:

1. Select the lowest air temperature expected (at the bottom of the chart).
2. Move straight up to time of operation desired (left side of chart).
3. Read the cylinder size required.

All heaters should have:
 full cylinders
 good air circulation
 no frost on cylinders



BTU'S PER HOUR REQUIRED

BTU'S PER HOUR REQUIRED				
Cubic feet of space to be heated	Temperature Rise Required (°F)*			
	20°	30°	40°	50°
5,000	14,000	20,000	27,999	34,000
7,000	19,000	28,000	38,000	47,000
10,000	27,000	40,000	54,000	67,000
15,000	40,000	60,000	80,000	100,000
20,000	54,000	80,000	107,000	133,000
30,000	80,000	120,000	160,000	200,000
50,000	133,000	200,000	266,000	333,000

WARRANTY

We are pleased that you have selected our product and take this opportunity to assure you that qualified service facilities are available if required. With the cooperation of independent dealers, a nationwide network of authorized servicing dealers is available for your servicing requirements.

Should your product require servicing, read the section of the manual entitled "Servicing".

Who gets the warranty? The warranty is limited to the consumer who originally purchases the product.

What is covered? This limited warranty covers all imperfections in workmanship and material.

What is not covered? This limited warranty does not cover damage resulting from accident, misuse or abuse, lack of proper maintenance, affixing of any attachments not provided with the products, or loss of parts. IN NO EVENT SHALL ENERGO TECHNICAL PRODUCTS BE LIABLE FOR ANY SPECIAL, INCIDENTAL OR CONSEQUENTIAL DAMAGES NOR FOR ANY DAMAGES RESULTING FROM MISUSE OR MODIFICATION OF THIS PRODUCT.

⚠WARNING

Air Quality Hazard

- Do not use this heater for heating human living quarters.
- Use of direct-fired heaters in the construction environment can result in exposure to levels of CO, CO₂, and NO₂ considered to be hazardous to health and potentially life threatening.
- Do not use in unventilated areas.
- Know the signs of CO and CO₂ poisoning.
 - Headaches, stinging eyes
 - Dizziness, disorientation
 - Difficulty breathing, feels of being suffocated
- Proper ventilation air exchange (OSHA 29 CFR 1926.57) to support combustion and maintain acceptable air quality shall be provided in accordance with OSHA 29 CFR Part 1926.154, ANSI A10.10 Safety Requirements for Temporary and Portable Space Heating Devices and Equipment used in the Construction Industry or the Natural Gas and Propane Installation Codes CSA B149.1.
 - Periodically monitor levels of CO, CO₂ and NO₂ existing at the construction site – at the minimum at the start of the shift and after 4 hours.
 - Provide ventilation air exchange, either natural or mechanical, as required to maintain acceptable indoor air quality.

	USA 8-Hr Time weighted average (OSHA 29 CFR 1926.55 App A)	Canada 8-hr time weighted average WorkSafe BC OHS Guidelines Part 5.1 and Ontario Workplaces Reg 833
CO	50 ppm	25 ppm
CO ₂	5000 ppm	5000 ppm
NO ₂		3 ppm (Reg 833)
	USA – Ceiling Limit (Short Term Exposure Limit = 15 minutes)	Canada STEL (15 minutes Reg 833/1 hour WSBC) WorkSafe BC OHS Guidelines Part 5.1 and Ontario Workplaces Reg 833
CO		100 ppm
CO ₂		15000 ppm (WSBC) 30000 ppm (Reg 833)
NO ₂	5 ppm	1.0 ppm (WorkSafeBC) 5.0 ppm (Reg 833)

- Ensure that the flow of combustion and ventilation air exchange cannot become obstructed.
- As the building ‘tightens up’ during the construction phases ventilation may need to be increased.

Installation of this appliance at altitudes above 2000 ft (610 m) shall be in accordance with local codes, or in the absence of local codes, the National Fuel Gas Code, ANSI Z223.1/NFPA 54, or National Standard of Canada, Natural Gas and Propane Installation Code, CSA B149.1

The heater has been shipped from the factory set up for operation on propane gas.

NEVER LEAVE THE HEATER UNATTENDED WHILE BURNING!



OPERATING INSTRUCTIONS AND OWNER'S MANUAL

Model #

MH60CLP

READ INSTRUCTIONS CAREFULLY: Read and follow all instructions. Place instructions in a safe place for future reference. Do not allow anyone who has not read these instructions to assemble, light, adjust or operate the heater.



WARNING:

USE ONLY MANUFACTURER'S REPLACEMENT PARTS. USE OF ANY OTHER PARTS COULD CAUSE INJURY OR DEATH. REPLACEMENT PARTS ARE ONLY AVAILABLE DIRECT FROM THE FACTORY AND MUST BE INSTALLED BY A QUALIFIED SERVICE AGENCY.

PARTS ORDERING INFORMATION:

PURCHASING: Accessories may be purchased at any Mr. Heater local dealer or direct from the factory

FOR INFORMATION REGARDING SERVICE

Please call Toll-Free 800-251-0001 • www.mrheater.com

Our office hours are 8:00 AM – 5:00 PM, EST, Monday through Friday.

Please include the model number, date of purchase, and description of problem in all communication.

LIMITED WARRANTY

The company warrants this product to be free from imperfections in material or workmanship, under normal and proper use in accordance with instructions of The Company, for a period of one year from the date of delivery to the buyer. The Company, at its option, will repair or replace products returned by the buyer to the factory, transportation prepaid within said one year period and found by the Company to have imperfections in material or workmanship.

If a part is damaged or missing, call our Technical Support Department at 800-251-0001.

Address any Warranty Claims to the Service Department, Mr. Heater Group, Inc., 4560 W. 160th St., Cleveland, Ohio 44135. Include your name, address and telephone number and include details concerning the claim. Also, supply us with the purchase date and the name and address of the dealer from whom you purchased our product.

The foregoing is the full extent of the responsibility of the Company. There are no other warranties, express or implied. Specifically there is no warranty of fitness for a particular purpose and there is no warranty of merchantability. In no event shall the Company be liable for delay caused by imperfections, for consequential damages, or for any charges of the expense of any nature incurred without its written consent. The cost of repair or replacement shall be the exclusive remedy for any breach of warranty. There is no warranty against infringement of the like and no implied warranty arising from course of dealing or usage of trade. This warranty will not apply to any product which has been repaired or altered outside of the factory in any respect which in our judgment affects its condition or operation.

Some states do not allow the exclusion or limitation of incidental or consequential damages, so the above limitation or exclusion may not apply to you. This Warranty gives you specific legal rights, and you may have other rights which vary from state to state. This warranty gives you specific legal rights, and you may also have other rights which vary from state to state

Mr. Heater Group, Inc. reserves the right to make changes at any time, without notice or obligation, in colors, specifications, accessories, materials and models.

PRODUCT REGISTRATION: Thank you for your purchase.
Please log in to <http://www.egiregistration.com> to register your product.



Intertek

Mr Heater, 4560 W. 160TH ST., CLEVELAND, OHIO 44135 • 800-251-0001

Mr. Heater is a registered trademark of Enerco Group, Inc.

© 2020, Enerco/Mr. Heater. All rights reserved



GUIDE D'UTILISATION ET MANUEL DU PROPRIÉTAIRE

Modèle #

MH60CLP

LISEZ SOIGNEUSEMENT LES INSTRUCTIONS : Lisez et observez toutes les instructions. Conservez ces instructions dans un endroit sécuritaire pour vous y référer ultérieurement. Ne permettez pas à quiconque n'ayant pas lu les présentes instructions d'assembler, d'allumer, de régler ou de faire fonctionner l'appareil.



APPAREIL DE CHAUFFAGE AU PROPANE À AIR PULSÉ POUR CHANTIER DE CONSTRUCTION

AVERTISSEMENT : Le non-respect des instructions, telles qu'indiquées dans le présent guide, risque d'entraîner une explosion ou un incendie entraînant des dommages matériels ou des blessures graves, voire mortelles.

- N'entreposez ni n'utilisez d'essence ou autres liquides ou vapeurs inflammables à proximité de ce type d'appareil.
- Aucune bonbonne de propane liquéfié non raccordée pour utilisation ne doit se trouver à proximité de cet appareil, ni d'aucun autre appareil.
- EN PRÉSENCE D'UNE ODEUR DE GAZ
 - Ne tentez pas d'allumer l'appareil de chauffage.
 - Éteignez toute flamme nue.
 - Fermez l'alimentation en gaz à l'appareil.
- L'entretien doit être effectué par un fournisseur de services d'entretien qualifié.

Cet appareil de chauffage portatif alimenté au gaz n'est pas ventilé. Il utilise l'oxygène de l'air ambiant. Une circulation d'air adéquate doit être assurée pour la combustion et la ventilation. Voir page 3.

⚠ AVERTISSEMENT :

VOTRE SÉCURITÉ EST IMPORTANTE POUR VOUS ET POUR LES AUTRES, PAR CONSÉQUENT VEUILLEZ LIRE CES DIRECTIVES AVANT DE FAIRE FONCTIONNER CET APPAREIL DE CHAUFFAGE.

⚠ AVERTISSEMENT GÉNÉRAL DE DANGER :

LE NON-RESPECT DES MESURES DE PRÉVENTION ET DES INSTRUCTIONS FOURNIES AVEC CET APPAREIL DE CHAUFFAGE RISQUE DE CAUSER LA MORT, DES BLESSURES GRAVES ET DES DOMMAGES OU DES PERTES MATÉRIELLES RÉSULTANT D'INCENDIE, D'EXPLOSION, DE BRÛLURE, D'ASPHYXIE, D'INTOXICATION AU MONOXYDE DE CARBONE ET/OU D'ÉLECTROCUTION. SEULES LES PERSONNES APTES À COMPRENDRE ET À RESPECTER LES INSTRUCTIONS DEVRAIENT UTILISER OU EFFECTUER LE SERVICE DE CET APPAREIL DE CHAUFFAGE. SI VOUS AVEZ BESOIN D'ASSISTANCE OU D'INFORMATION SUR L'APPAREIL DE CHAUFFAGE, COMME UN GUIDE D'INSTRUCTIONS, DES ÉTIQUETTES, COMMUNIQUEZ AVEC LE FABRICANT.

⚠ AVERTISSEMENT: Les carburants utilisés dans les appareils à des produits chimiques, notamment le benzène, connu en Californie pour causer le cancer et causer des malformations congénitales ou d'autres problèmes de reproduction. www.P65Warnings.ca.gov

⚠ AVERTISSEMENT :

LE MONOXYDE DE CARBONE PEUT VOUS TUER
NON CONÇU POUR UNE UTILISATION À L'INTÉRIEUR DE LA MAISON OU DANS UN VÉHICULE RÉCRÉATIF, L'UTILISATION D'UN CHAUFFAGE PORTABLE DANS UN ENDROIT CERTIFIÉ PEUT PRODUIRE DU MONOXYDE DE CARBONE MORTEL.

⚠ AVERTISSEMENT :

DANGER D'INCENDIE, D'INHALATION ET D'EXPLOSION. GARDEZ LES COMBUSTIBLES SOLIDES TELS QUE LES MATÉRIAUX DE CONSTRUCTION LE PAPIER ET LE CARTON À UNE DISTANCE SÉCURITAIRE DE L'APPAREIL DE CHAUFFAGE TEL QUE RECOMMANDÉ DANS LES INSTRUCTIONS. N'UTILISEZ JAMAIS L'APPAREIL DE CHAUFFAGE DANS UN ENDROIT QUI CONTIENT OU RISQUE DE CONTENIR DES COMBUSTIBLES VOLATILES OU EN SUSPENSION DANS L'AIR, OU DES PRODUITS TELS QUE DE L'ESSENCE, DES SOLVANTS, DU DILUANT À PEINTURE, DES PARTICULES DE POUSSIÈRE OU DES PRODUITS CHIMIQUES INCONNUS.

⚠ AVERTISSEMENT: CE PRODUIT PEUT VOUS EXPOSER À PLOMB ET COMPOSÉS DE PLOMB, IDENTIFIÉ PAR L'ÉTAT DE CALIFORNIE COMME POUVANT CAUSER LE CANCER. LAVEZ-VOUS LES MAINS APRÈS AVOIR MANIPULÉ CE PRODUIT. POUR DE PLUS AMPLES INFORMATIONS, PRIÈRE DE CONSULTER WWW.P65WARNINGS.CA.GOV.

TABLE DES MATIÈRES

SPÉCIFICATIONS DE L'APPAREIL DE CHAUFFAGE 2
 AVERTISSEMENTS 2
 PRÉCAUTIONS LIÉES AU FONCTIONNEMENT 3
 PRÉCAUTIONS DE SÉCURITÉ 3
 AVERTISSEMENT LIÉ AUX SUBSTANCES ODORANTES 4
 PRÉPARATION POUR LE FONCTIONNEMENT 5
 PROCÉDURE POUR LE CHARGEMENT DE LA BATTERIE 5
 INFORMATION CONCERNANT LA BATTERIE 5
 INFORMATION POUR LE RECYCLAGE DE LA BATTERIE 5
 FONCTIONNEMENT DE L'APPAREIL DE CHAUFFAGE 6
 ENTRETIEN ET ENTREPOSAGE 6
 SERVICE 6
 SCHÉMA DU CÂBLAGE 7
 INFORMATION CONCERNANT LA TAILLE ET LA CAPACITÉ DE PROPANE 8
 LISTE DES PIÈCES 9
 INFORMATION SUR LA GARANTIE 12

SPÉCIFICATIONS

Type de gaz : Pour une utilisation avec le propane seulement
 Pression de l'alimentation en gaz au régulateur Max : 14,6 kg/cm² (200 l/po²) (1380 kPa)
 Min : 0,35 kg/cm² (5 l/po²) (34,4 kPa)
 sortie du régulateur 991,44 cm (59 po) CE (14,70 kPa)
 Pression du collecteur : 91,44 cm (49 po) CE (12,21 kPa)
 Entrée électrique : 110/220 V, 50/60 Hz, 1Ø, 2A
 Allumage : Auto-allumage/Valve manuelle de gaz
 Contrôle de la flamme primaire : Robinet de gaz à fonctionnement par thermocouple
 Contrôle de haute température : 115 °C (240 °F)
 Temp. ambiante min. Caractéristique nominale -17,8 °C (0 °F)
Modèle : MH60CLP
 Tension : 30 000 - 60 000 Btu/h (8,79 – 17,58 kW)
 Consommation de carburant : 1,26 kg/h (1,6 no/h)
 Taille de l'orifice de carburant : 1,55 mm
 Régime nominal du ventilateur : 3,8 m³/min (135 pi³/min)
 Temps de charge 5 heures
 Durée de fonctionnement 4 heures (8 heures avec le kit F227964)

PRÉCAUTIONS LIÉES AU FONCTIONNEMENT

Cet appareil de chauffage à air pulsé et à feu direct fonctionne au gaz propane. Il est destiné principalement à chauffer temporairement des édifices en construction, en rénovation ou en réparation.

Le gaz propane est plus lourd que l'air. Si du gaz propane fuit d'une connexion ou d'un raccord, il se dirige vers le plancher, se mélange avec l'air ambiant et forme un mélange potentiellement explosif. Évidemment, les fuites de gaz propane devraient être évitées ; il est donc important de raccorder l'alimentation en propane avec le plus grand soin. Veuillez lire le feuillet « Substance odorante et gaz propane » ci-joint pour obtenir plus de précisions relatives à la détection des fuites de gaz propane. Vérifiez la présence de fuite aux nouvelles connexions et raccords en utilisant un mélange d'eau et de savon et suivez les instructions mentionnées. Obtenez également les conseils de votre détaillant quant à votre installation au propane et posez-lui toute question que vous auriez à cet égard.

Cet appareil de chauffage a été conçu et homologué pour être utilisé comme appareil de chauffage pour chantier de construction, conformément à la norme ANSI Z83,7/CGA 2,14. Veuillez vérifier auprès de votre autorité locale sécurité-incendie pour toutes questions concernant vos applications. D'autres normes régissent l'utilisation des gaz combustibles et des produits de combustion lors d'applications spécifiques. Votre autorité locale saura vous conseiller à cet égard.

Le fonctionnement à feu direct de cet appareil signifie que tous les produits de combustion se retrouvent dans l'air ambiant. Même si l'efficacité de combustion de l'appareil de chauffage est presque complète, il produit quand même de petites quantités de monoxyde de carbone. Le monoxyde de carbone (appelé CO) est toxique. Notre organisme ne peut en supporter que de faibles quantités. Il est possible que le CO s'accumule dans le local à chauffer. Une ventilation inadéquate pourrait ainsi causer la mort. Les symptômes ressentis en cas de ventilation inadéquate sont les suivants :

- mal de tête
- étourdissement
- sensation de brûlure au nez et aux yeux
- nausée
- mal de gorge ou bouche sèche

Assurez-vous donc de respecter les conseils au sujet de la ventilation mentionnés dans ces instructions.

Un appareil à air pulsé signifie que l'air est soufflé dans l'appareil de chauffage par un ventilateur. La qualité de la combustion dépend du débit d'air. Par conséquent, l'appareil de chauffage ne doit pas être modifié ni fonctionner si des pièces sont manquantes. Dans le même ordre d'idées, les systèmes de sécurité ne doivent pas être contournés ni modifiés pour faire fonctionner l'appareil.

Lorsque l'appareil de chauffage doit fonctionner en présence d'autres personnes, l'utilisateur est responsable d'informer ces dernières des instructions et précautions liées à la sécurité et de les avertir des dangers inhérents.

PRÉCAUTIONS LIÉES À LA SÉCURITÉ

1. Vérifiez attentivement si l'appareil de chauffage a subi des dommages. NE FAITES PAS fonctionner un appareil endommagé.
2. **NE MODIFIEZ PAS** l'appareil de chauffage et ne le faites pas fonctionner s'il n'est plus dans son état d'origine.
3. Utilisez uniquement du gaz propane.
4. Utilisez uniquement une alimentation au propane à ÉLIMINATION DES ÉMANATIONS. Si vous avez des questions à propos de l'élimination des émanations, consultez votre détaillant de gaz propane.
5. Installez les bonbonnes de propane verticalement (robinet de fermeture vers le haut). Fixez-les comme il convient de sorte qu'ils ne puissent se décrocher accidentellement et protégez-les contre les dommages.
6. Placez les réservoirs de gaz propane à une distance minimale (aux États-Unis) de 2,13 m (7 pi) ou (au Canada) de 3 m (10 pi) de l'appareil de chauffage et **n'orientez pas** l'échappement directement vers les réservoirs.
7. **IMPORTANT** Utilisez uniquement le tuyau et le régulateur fournis avec l'appareil. Faites correspondre la bande de couleur de l'étiquette fixée au tuyau à la couleur de l'étiquette située près du raccord d'entrée de gaz propane sur l'appareil. Inspectez le tuyau avant chaque utilisation de l'appareil de chauffage. En cas d'abrasion, d'usure excessive ou de coupure, remplacez le tuyau par l'ensemble de tuyaux recommandé avant d'utiliser l'appareil de chauffage.
8. Pour utilisation intérieure seulement. La ventilation doit être adéquate. Des ouvertures minimales de 0,046 m² (1/2 pi²) près du plancher et de 0,046 m² (1/2 pi²) près du plafond sont requises (consultez également la rubrique « Précautions liés au fonctionnement »).
9. Si une odeur de gaz est détectée, ARRÊTEZ IMMÉDIATEMENT l'appareil de chauffage jusqu'à ce que la source d'émission du gaz ait été localisée et colmatée. Veuillez lire le feuillet « Substance odorante et gaz propane » ci-joint pour obtenir plus de précisions relatives à la détection des fuites de gaz propane.
10. Installez l'appareil de chauffage de façon à ce qu'il ne soit pas exposé à une vaporisation d'eau, à de la pluie et/ou à de l'eau qui dégoutte.
11. Conservez un écart minimal entre l'appareil et tout matériel combustible (tel que du papier), c'est-à-dire : au plancher - 0 m (0 pi) ; à la sortie - 1,83 m (6 pi) ; sur les côtés - 0,61 m (2 pi) ; sur le dessus - 1,83 m (6 pi). Placez l'appareil à 3 m (10 pi) des toiles, bâches et autres revêtements plastiques, et fixez-les afin d'empêcher tout battement ou mouvement causé par le vent.
12. En raison des températures élevées de la surface et de l'échappement, les adultes et les enfants doivent respecter les distances de sécurité pour éviter des brûlures et l'inflammation des vêtements.
13. Utilisez uniquement sur des surfaces stables et de niveau.
14. N'utilisez pas avec des gaines et des conduits d'air. Ne pas restreindre l'entrée ni la sortie d'air.
15. N'utilisez qu'avec l'alimentation électrique spécifiée. Le raccordement électrique et la mise à la terre doivent être conformes au Code national de l'électricité - ANSI/NFPA 70 (aux États-Unis) - et à la norme CSA C22.1, partie 1 du Code canadien de l'électricité (au Canada).
16. N'utilisez qu'avec une fiche à trois broches mise à la terre correctement ou un cordon d'alimentation d'une longueur minimale de 1,83 m (6 pi).
17. Ne déplacez pas l'appareil, ne le touchez pas et n'essayez pas d'en faire l'entretien alors qu'il est chaud.
18. Utilisez l'appareil en observant les codes de sécurité en vigueur localement ou référez-vous aux normes relatives à l'entreposage et à la manutention des produits de pétrole liquéfiés ANSI/NFPA 58 et CSA B149.1 du Code d'installation du gaz naturel et du gaz propane.

AVERTISSEMENT LIÉ AUX SUBSTANCES ODORANTES

⚠️ AVERTISSEMENT :

Risque d'asphyxie

- N'utilisez pas cet appareil de chauffage pour réchauffer un espace habité par les humains.
- N'utilisez pas l'appareil dans des endroits sans ventilation.
- Le débit de combustion et l'air de ventilation ne doivent pas être obstrués.
- Un air de ventilation adéquat doit être fourni pour supporter les exigences de l'air de combustion de l'appareil de chauffage utilisé.
- Référez-vous à la section des spécifications du manuel de l'appareil de chauffage, à la plaque de données de l'appareil ou communiquez avec le fabricant pour obtenir les renseignements relatifs aux exigences en apport d'air de ventilation de l'appareil.
- Un air de ventilation inapproprié occasionnera une combustion inadéquate.
- Une combustion inadéquate peut provoquer une asphyxie par le monoxyde de carbone causant de sérieuses blessures ou la mort. Les symptômes d'empoisonnement par le monoxyde de carbone peuvent inclure des maux de tête, des étourdissements et des difficultés respiratoires.

ODEUR DE GAZ COMBUSTIBLE

Des additifs odorants ont été ajoutés au gaz propane liquéfié et au gaz naturel dans le but de faciliter la détection de fuites. Vous devriez remarquer une odeur de gaz combustible s'il y a une fuite. Comme le gaz propane (liquéfié) est plus lourd que l'air, l'odeur de gaz se détecte plus facilement près du sol. TOUTE ODEUR DE GAZ EST UN SIGNAL QU'IL FAUT INTERVENIR IMMÉDIATEMENT !

- Ne prenez aucune mesure qui provoquerait l'allumage des vapeurs de gaz. N'utilisez aucun interrupteur électrique. Ne tirez sur aucune source d'alimentation électrique ou rallonge électrique. N'allumez pas d'allumettes ni aucune source de flamme. N'utilisez pas votre téléphone.
- Faites évacuer immédiatement toute personne se trouvant dans l'immeuble.
- Fermez tous les robinets d'alimentation du réservoir de gaz propane (liquéfié) ou de la bonbonne, ainsi que le robinet d'alimentation principale situé sur le compteur, si vous utilisez du gaz naturel.
- Le gaz propane (liquéfié) est plus lourd que l'air et peut s'accumuler dans les endroits près du sol. Si vous croyez qu'il y a une fuite de gaz propane, éloignez-vous des endroits plus bas.
- Utilisez le téléphone d'un voisin et communiquez avec votre fournisseur en gaz combustible et votre service d'incendies. Ne retournez pas dans l'immeuble ou dans le secteur.
- N'entrez pas dans l'immeuble et restez-en à l'écart jusqu'à ce que le personnel du service des incendies ou le fournisseur en gaz combustible ait confirmé que l'endroit ne comporte aucun risque.
- EN DERNIER LIEU, laissez le personnel du service des incendies ou d'approvisionnement en gaz combustible vérifier si du gaz s'échappe. Assurez-vous qu'ils aient aéré l'immeuble avant d'y retourner. Le personnel d'entretien expérimenté doit colmater toute fuite, vérifier la présence d'autres fuites, puis se charger d'allumer l'appareil pour vous.

SUBSTANCE ODORANTE - AUCUNE ODEUR DÉCELÉE

- Certaines personnes ne détectent pas bien les odeurs. Il est donc possible que certaines personnes ne puissent sentir la substance odorante ajoutée au gaz propane (liquéfié) ou au gaz naturel. Vous devez savoir si vous arrivez à déceler l'odeur de cette substance dans le gaz combustible. Apprenez à reconnaître l'odeur du gaz propane et celle du gaz naturel. Pour ce faire, les détaillants de gaz propane (liquéfié) locaux seront heureux de vous fournir un feuillet comprenant une pastille à humer. Servez-vous de cette pastille pour vous aider à reconnaître l'odeur de gaz combustible.
- Le tabagisme peut nuire à votre faculté olfactive. Votre facilité à déceler une odeur quelconque peut s'estomper si vous demeurez un certain temps dans un endroit où cette odeur est présente. La présence d'animaux dans des endroits clos peut aussi masquer l'odeur du gaz combustible.
- **La substance odorante contenue dans le gaz propane (liquéfié) et le gaz naturel est incolore et, selon certaines circonstances, son odeur pourrait s'estomper.**
- En cas de fuite souterraine, le déplacement du gaz dans le sol peut filtrer l'odeur.
- L'intensité de l'odeur du gaz propane (liquéfié) peut varier à différents niveaux. Étant donné que le gaz propane (liquéfié) est plus lourd que l'air, l'odeur peut être plus prononcée à des niveaux inférieurs.
- **Portez toujours attention à la moindre odeur de gaz.** Si une odeur de gaz persiste, même si elle est minime, agissez comme s'il s'agissait d'une fuite importante. Intervenez immédiatement tel que décrit précédemment.

ATTENTION - POINTS ESSENTIELS À RETENIR !

- Le gaz propane (liquéfié) dégage une odeur particulière. Apprenez à reconnaître cette odeur. Consultez les rubriques Odeur du gaz combustible et Substance odorante, ci-dessus.
- Même si vous n'êtes pas formé adéquatement pour effectuer le service et la réparation de l'appareil de chauffage, soyez TOUJOURS attentif aux odeurs que dégagent le gaz propane (GPL) et le gaz naturel.
- Si vous n'êtes pas formé pour procéder à l'entretien et à la réparation des appareils au gaz propane (liquéfié), ne tentez pas d'allumer l'appareil, de le réparer ou de l'entretenir, ni d'apporter des réglages au système d'alimentation en gaz propane de l'appareil.
- Peu importe les conditions, une bonne pratique de sécurité consiste à sentir de temps à autre autour de l'appareil, des raccords, du tuyau et autres éléments. Si vous décelez la moindre odeur de gaz, COMMUNIQUEZ IMMÉDIATEMENT AVEC VOTRE FOURNISSEUR EN GAZ COMBUSTIBLE. N'ATTENDEZ PAS !

PRÉPARATION POUR LE FONCTIONNEMENT

1. Vérifiez que l'appareil de chauffage n'a pas été endommagé lors du transport. Si c'est le cas, contactez *immédiatement* le fabricant.
2. Charger la batterie (Reportez-vous à la section Procédure pour charger la batterie).
3. Veuillez suivre toutes les « précautions ».
4. Connectez le raccord point de charge du tuyau et le régulateur à la bonbonne de propane en tournant l'écrou du point de charge dans le sens contraire des aiguilles d'une montre à l'intérieur de l'orifice du robinet de la bonbonne et serrez-le solidement avec une clé.
5. Connectez le tuyau à l'appareil de chauffage en tournant le raccord du tuyau dans le sens des aiguilles d'une montre.

6. Serrez solidement toutes les connexions de gaz.
7. Ouvrez lentement le robinet de gaz de la bonbonne et vérifiez toutes les connexions de gaz avec une solution à base de savon et d'eau, à la recherche de bulles qui indiquent une fuite de gaz. Remarque : si le robinet n'est pas ouvert lentement, le clapet de retenue de la bonbonne de propane arrêtera la circulation de gaz. N'UTILISEZ PAS DE FLAMME.
8. Fermez le robinet de gaz de la bonbonne de propane.

PROCÉDURE ET FONCTIONNEMENT POUR LE CHARGEMENT DE LA BATTERIE

IL EST RECOMMANDÉ QUE LA BATTERIE SOIT ENTIÈREMENT CHARGÉE AVANT LA MISE EN MARCHÉ INITIALE DE L'APPAREIL DE CHAUFFAGE ET QU'ELLE SOIT RECHARGÉE SUITE À UNE UTILISATION AFIN DE PROLONGER SA DURÉE DE VIE. UN CHARGEMENT FRÉQUENT N'ENDOMMAGERA PAS LA BATTERIE ET ASSURERA LA CHARGE COMPLÈTE DE LA BATTERIE LORS DE LA PROCHAINE UTILISATION. LE RANGEMENT DE LA BATTERIE SANS QU'ELLE SOIT ENTIÈREMENT CHARGÉE DIMINUERA SA DURÉE DE VIE. RÉFÉREZ-VOUS À LA SECTION « ENTREPOSAGE HORS SAISON ».

1. Éteignez l'appareil de chauffage.
2. Branchez le cordon d'alimentation/de charge dans la prise d'alimentation électrique sur la grille arrière de l'appareil et dans une prise de courant de 120V. **NE MALMENEZ PAS LE CORDON.**
 - *Ne transportez jamais l'appareil de chauffage par le cordon électrique. Ne débranchez pas l'appareil de chauffage de la prise de courant en tirant sur le cordon.
 - *Veuillez toujours charger l'appareil de chauffage dans un endroit sec protégé des éléments. N'exposez pas l'appareil de chauffage ou le chargeur à la pluie. Ne chargez pas dans des endroits humides.
 - *Ne chargez pas la batterie lorsque la température est supérieure à 40 °C (104 °F) ou inférieure à -17,8 °C (0 °F).
 - *Chargez la batterie de l'appareil de chauffage dans un endroit bien ventilé.
 - *Gardez l'appareil de chauffage et le chargeur éloigné de l'eau, des sources de chaleur (tels que radiateurs, autres appareils de chauffage, cuisinières, etc.), des flammes et/ou des produits chimiques. Faites attention à ne pas abîmer le cordon du chargeur en le gardant loin des coins tranchants.

AVERTISSEMENT

Pour réduire le risque d'incendie, de chocs électriques ou de blessures, ne tentez pas d'utiliser ce chargeur avec tout autre produit. De même, ne tentez pas de charger la batterie HERO avec un autre chargeur.

3. Le voyant lumineux vert DEL situé sur l'interrupteur marche/arrêt (on/off) commencera à clignoter lentement pour indiquer que la batterie se recharge.
4. Le voyant lumineux vert DEL arrêtera de clignoter et s'éteindra lorsque la batterie sera entièrement chargée.
5. Cela prend environ 5 heures pour charger une batterie qui est entièrement à plat.
6. L'appareil de chauffage est conçu pour fonctionner et charger la batterie simultanément lorsqu'il est branché dans une prise de courant de 120V.
7. Mr. Heater recommande de charger la batterie continuellement entre les utilisations de l'appareil de chauffage pour obtenir une performance optimale. Si une recharge d'entretien constante n'est pas possible, il est recommandé que la batterie soit complètement rechargée tous les 3 mois. Voir la section Entretien et entreposage à la page F-6.

8. Batterie faible : cet appareil de chauffage est équipé d'un système actif de contrôle de la batterie. Lorsque l'appareil de chauffage fonctionne sur le mode de batterie interne uniquement, le voyant lumineux vert DEL qui se trouve sur le panneau de commande commencera à clignoter lorsqu'il restera à la batterie environ 1 heure de temps de fonctionnement.
9. Fermeture reliée à une basse tension : pour éviter une complète décharge de la batterie et pour prolonger sa durée de vie, l'appareil de chauffage surveille la batterie et l'éteint de façon sécuritaire lorsqu'un certain voltage est atteint. Cet appareil de chauffage ne fonctionnera pas tant qu'il n'aura pas été branché dans une prise de courant de 120V.

INFORMATION CONCERNANT LA BATTERIE

AVERTISSEMENT : UTILISEZ UNIQUEMENT DES BATTERIES DE REMPLACEMENT APPROUVÉES PAR MR. HEATER — VEUILLEZ CONTACTER VOTRE CENTRE DE SERVICE LOCAL OU APPELEZ LE (800) 251-0001 X3611.

Le système de la batterie est au plomb-acide scellé de 12 volts. Il n'y a aucun liquide à l'intérieur de la batterie ; par conséquent, celle-ci ainsi que l'appareil de chauffage peuvent être entreposés dans n'importe quelle position sans crainte de fuite.

- * Pour une performance optimale, la batterie devrait être entièrement chargée avant la mise en marche initiale de l'appareil de chauffage et doit être constamment en mode de chargement lorsque l'appareil de chauffage n'est pas utilisé.
- * La batterie devrait être chargée dans la bonne orientation.
- * La batterie n'a pas besoin d'être entièrement à plat pour être rechargée.
- * 2 à 3 cycles de chargements initiaux pourraient être nécessaires après l'achat afin d'atteindre une capacité de fonctionnement maximale.
- * Une batterie entièrement chargée peut être remise jusqu'à -17 °C (-0 °F).
- * La batterie est sans entretien.
- * La batterie est conçue uniquement pour une utilisation avec l'appareil de chauffage HERO de Mr. Heater et ne devrait pas être utilisée à d'autres fins.
- * la batterie se charge de zéro à plein en 5 heures.
- * le chauffage fonctionne pendant 4 heures sur une batterie complètement chargée.
- * kit d'accessoires F227964 peut être ajouté à l'appareil de chauffage pour prolonger l'opération à 8 heures sur une charge complète.

LE SCEAU RBRC^{MC} (RECYCLAGE DE BATTERIES)

Le sceau RBRC^{MC} (Société de Recyclage de Piles Rechargeables) qui se trouve sur la batterie d'accumulateurs au plomb (ou bloc-pile) indique que le coût du recyclage de la batterie (ou du bloc-pile) à la fin de sa durée de vie utile a été payé par ENERCO GROUP INC. À certains endroits, il est illégal de jeter aux ordures ou dans des sites de déchets urbains solides des batteries au plomb-acide ; le programme RBRC procure une alternative sensibilisée à l'environnement.

RBRC^{MC} en collaboration avec ENERCO GROUP INC. et d'autres utilisateurs de batteries, ont établi des programmes aux États-Unis et au Canada pour faciliter la collecte des batteries au plomb-acide usagées. Aidez à protéger notre environnement et à conserver les ressources naturelles, en retournant les batteries au plomb-acide à votre détaillant local pour le recyclage. Vous pouvez également contacter votre centre de recyclage local pour obtenir de l'information quant à savoir où vous devez apporter vos batteries usagées ou appelez le 1-(800)-822-8837



⚠️ AVERTISSEMENT :

RISQUE D'INCENDIE— VEUILLEZ TOUJOURS DÉBRANCHER LA BATTERIE DE L'ALIMENTATION ÉLECTRIQUE (PRISE DE COURANT MURAL) AVANT DE RETIRER LE CORDON D'ALIMENTATION DE L'APPAREIL DE CHAUFFAGE. SOUS CERTAINES CONDITIONS, AVEC L'APPAREIL DE CHAUFFAGE BRANCHÉ DANS UNE ALIMENTATION ÉLECTRIQUE, LES CONNECTEURS EXPOSÉS PEUVENT ÊTRE COURT-CIRCUITÉS PAR DES MATÉRIAUX EXTÉRIEURS ET OCCASIONNER UN INCENDIE. DES MATÉRIAUX EXTÉRIEURS DE NATURE CONDUCTRICE TELS QUE, MAIS NON LIMITÉS À, DE LA LAINE D'ACIER, DU PAPIER D'ALUMINIUM OU TOUTE AUTRE ACCUMULATION DE PARTICULES MÉTALLIQUES, DEVRAIENT ÊTRE TENUS LOIN DES CONNECTEURS. VEUILLEZ TOUJOURS DÉBRANCHER L'APPAREIL DE CHAUFFAGE AVANT DE LE NETTOYER.

FONCTIONNEMENT DE L'APPAREIL DE CHAUFFAGE**MISE EN MARCHÉ**

1. L'appareil de chauffage HERO est pourvu d'un interrupteur pour ventilateur soufflant, situé sur le panneau de commande de l'appareil. Appuyez sur l'interrupteur marche/arrêt pour mettre en marche le ventilateur soufflant. Lorsque le ventilateur a été mis en marche, le voyant lumineux vert DEL sur le panneau de commande deviendra continu, indiquant que le ventilateur en fonction. Le ventilateur soufflant doit être mis en marche avant que le robinet de gaz/allumage soit LENTEMENT appuyé pour allumer l'appareil de chauffage.

AVERTISSEMENT : La valve de carburant (bouton orange) dispose d'un verrouillage de sécurité et ne peut être enfoncée qu'après que le ventilateur ait été activé.

2. Ouvrez lentement le robinet de l'alimentation en propane qui se trouve sur la bonbonne. Remarque : si le robinet n'est pas ouvert lentement, le clapet de retenue de la bonbonne de propane arrêtera la circulation de gaz. Si cela se produit, fermez le robinet de l'alimentation en propane et ouvrez-le lentement une autre fois. Attendez 15 secondes avant de passer à l'étape 3.
3. Lorsque le ventilateur soufflant a été mis en marche, enfoncez LENTEMENT le bouton orange du robinet de gaz/d'allumage situé sur le panneau de commande pour allumer l'appareil de chauffage. Si l'appareil ne s'allume pas, relâchez et répétez cette étape. Maintenez le bouton du robinet enfoncé pendant 30-60 secondes, lorsque le brûleur sera allumé, puis relâchez et l'appareil de chauffage continuera à fonctionner. Si le brûleur s'éteint, attendez 20 secondes et recommencez ces étapes.

AVERTISSEMENT : Cet appareil de chauffage est équipé d'un verrouillage électrovanne de sécurité qui empêche la valve de gaz d'être enfoncé jusqu'à ce que l'appareil soit allumé et que le ventilateur soit mis en marche. Ce système permet un délai de 30 secondes entre les tentatives d'allumage. Après 30 secondes, l'appareil doit être réinitialisé pour les tentatives supplémentaires. Pour réinitialiser, mettez le bouton de mise en marche/d'arrêt en position OFF, puis de nouveau en position ON.

CARACTÉRISTIQUE DE FERMETURE DE SÉCURITÉ

Lorsque l'appareil de chauffage détecte un changement en alimentation électrique (branchez ou débranchez l'alimentation CA lorsqu'en marche) il s'éteindra automatiquement. Après l'arrêt, la procédure « DE MISE EN MARCHÉ » (start) devra être utilisée pour remettre en marche l'appareil de chauffage.

VERROUILLAGE DE BASSE TENSION DE LA BATTERIE

Cet appareil de chauffage est équipé d'un système de verrouillage de sécurité en cas de basse tension de la batterie qui empêche le fonctionnement si la tension de la batterie est trop faible.

ARRÊT

1. Appuyez sur l'interrupteur marche/arrêt pour éteindre l'appareil de chauffage.
2. Fermez l'alimentation en gaz lorsque l'appareil de chauffage n'est pas utilisé.

ENTRETIEN ET ENTREPOSAGE

1. L'appareil de chauffage devrait être inspecté avant chaque utilisation et au moins annuellement par une personne qualifiée.
2. Avant chaque utilisation, vérifiez le joint torique souple situé sur le bout arrondi du raccord point de charge. Si le joint torique est coupé, a des rayures ou autrement endommagé, remplacez-le avec le numéro de pièces F273786.
3. Fermez l'alimentation en gaz GPL à la(les) bonbonne(s) lorsque l'appareil de chauffage n'est pas utilisé.
4. Lorsque l'appareil de chauffage doit être entreposé à l'intérieur, le raccordement entre la bonbonne de gaz GPL et l'appareil doit être débranché et la bonbonne enlevée de l'appareil. La bonbonne doit être entreposée à l'extérieur selon les exigences du chapitre 5 de la norme pour le stockage et la manutention du gaz de pétrole liquéfié ANSI/NFPA 58 et CSA B149 ; 1 ; et selon le Code d'installation de gaz naturel et propane.
5. Il est recommandé de garder la batterie continuellement en mode de chargement d'entretien en la branchant dans une prise d'alimentation électrique de 120V. Si une recharge d'entretien constante n'est pas possible, il est recommandé que la batterie soit complètement rechargée tous les 3 mois.
6. L'appareil de chauffage peut être entreposé avec le chargeur débranché si toutes les conditions suivantes sont respectées.
 - La batterie est entièrement chargée avant d'être entreposée. (La durée de vie de la batterie sera réduite si elle n'est pas entièrement chargée.)
 - La température moyenne pour l'entreposage de la batterie est inférieure à 10 °C (50 °F).
 - La durée d'entreposage est inférieure à 6 mois

LE SERVICE

Une situation dangereuse pourrait survenir si l'appareil de chauffage utilisé a été modifié ou ne fonctionne par correctement. Lorsque l'appareil de chauffage fonctionne correctement :

- * La flamme est contenue à l'intérieur de l'appareil de chauffage.
- * La flamme est essentiellement bleue et peut avoir quelques pointes jaunes.
- * Il n'y a pas de forte odeur désagréable, aucun inconfort tels que les yeux qui brûlent ou autres.
- * Il n'y a pas de fumée, de suie interne ou externe à l'appareil de chauffage.
- * Il n'y a aucun arrêt non planifié ou inexplicable de l'appareil de chauffage.

Les listes de pièces et la vue éclatée, illustre l'appareil de chauffage tel qu'il a été fabriqué. N'utilisez pas un appareil de chauffage qui est différent de celui illustré. De même, utilisez uniquement le tuyau, le régulateur et le raccord pour la bonbonne (appelé raccord point de charge) fournis avec l'appareil de chauffage. **IMPORTANT :** agencez les languettes de couleur de l'étiquette mobile fixée à l'assemblage du tuyau avec la couleur sur l'étiquette située près du raccord d'entrée pour la bonbonne sur l'appareil de chauffage. N'utilisez pas de moyen alternatif. Pour cet appareil de chauffage, le régulateur doit être réglé tel qu'indiqué dans les « spécifications ». S'il y a un doute concernant le réglage du régulateur, faites-le vérifier.

Un appareil de chauffage qui *ne fonctionne pas* correctement doit être réparé, mais uniquement par un technicien de service compétent et entraîné à le faire.

Les produits couverts sous cette garantie seront réparés sans frais pour les pièces et la main-d'œuvre. Veuillez inclure une brève description indiquant la date, l'endroit où l'achat a été effectué, la nature du problème et la preuve de l'achat.

Les produits qui ne sont pas couverts sous cette garantie, seront réparés mais des frais seront facturés pour les pièces, la main-d'œuvre et le transport.

NE JAMAIS LAISSER LE CHAUFFAGE SANS SURVEILLANCE PENDANT LE BRÛLAGE!

Lorsqu'un service ou une réparation est nécessaire, il est recommandé d'apporter votre appareil de chauffage à un centre de service autorisé Mr. Heater.

Lorsque vous effectuez le service ou le remplacement de la batterie, veuillez prendre note de ce qui suit :

- N'effectuez pas le service de l'appareil lorsque la batterie est connectée ou branchée dans une prise de courant.
- N'utilisez pas un appareil de chauffage endommagé. Remplacez immédiatement les cordons endommagés.
- Utilisez uniquement les batteries originales de Mr. Heater.

- Ne jetez pas les batteries dans un feu. La cellule peut exploser. Voir ci-dessous « Information pour le recyclage de batteries ».
- N'ouvrez pas ou ne mutilez pas la batterie. Les électrolytes relâchés sont corrosifs et peuvent causer des blessures aux yeux et à la peau. Ils peuvent être toxiques si avalés.
- Soyez prudent lorsque vous manipulez les batteries afin de ne pas les court-circuiter avec des matériaux conducteurs tels que des bagues, des bracelets et/ou des clés.

Wiring Diagram (Model MH-60-CLP)

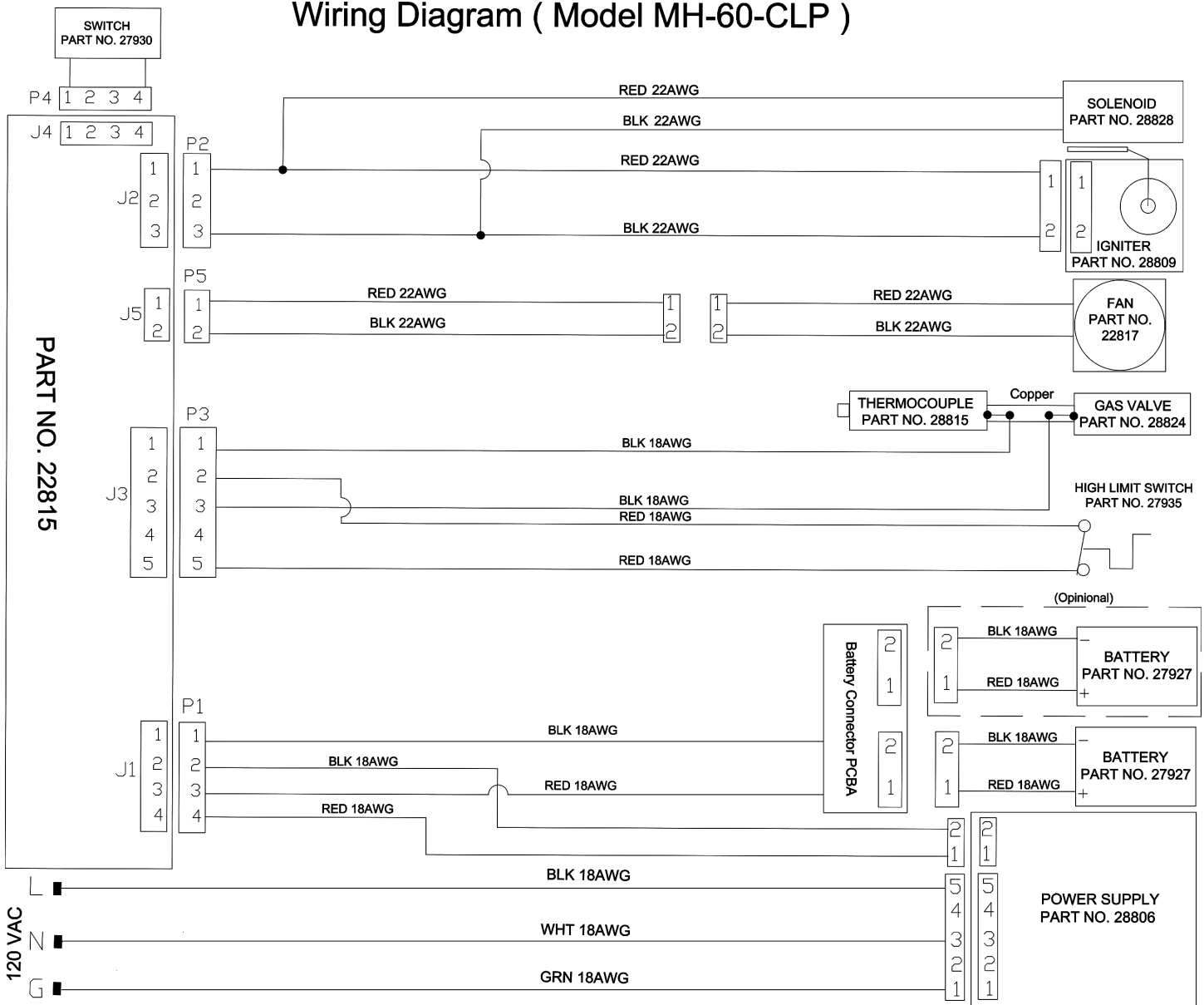
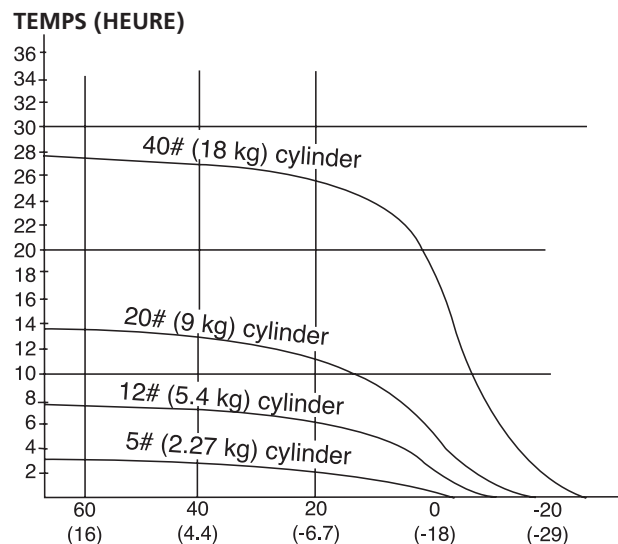


TABLEAU DE DIMENSIONS ET CONTENANCES DES BONBONNES DE GAZ PROPANE REQUISES

Les tableaux qui suivent indiquent la taille approximative de la bonbonne de gaz requise pour ces appareils de chauffage. Pour utiliser le tableau :

1. Sélectionnez la température de l'air la plus basse prévue (au bas du tableau).
2. Allez ensuite directement au haut du tableau au temps d'utilisation désiré (côté gauche du tableau).
3. Notez la dimension de la bonbonne requise.

Tous les appareils de chauffage doivent : être munis de bonbonnes pleines
disposer d'une bonne circulation d'air
ne présenter aucun signe de givre



BTU PAR HEURE REQUIS

BTU PAR HEURE REQUIS				
Pied cube d'espace à être réchauffé	Hausse de température requise (°F)*			
	20°	30°	40°	50°
5,000	14,000	20,000	27,999	34,000
7,000	19,000	28,000	38,000	47,000
10,000	27,000	40,000	54,000	67,000
15,000	40,000	60,000	80,000	100,000
20,000	54,000	80,000	107,000	133,000
30,000	80,000	120,000	160,000	200,000
50,000	133,000	200,000	266,000	333,000

GARANTIE

Nous vous remercions d'avoir choisi notre produit et nous profitons de cette occasion pour vous mentionner que nos ateliers de réparation seront à votre disposition, au besoin. Nous travaillons en étroite collaboration avec un réseau national de détaillants indépendants qui sont également à votre disposition pour répondre à vos besoins en matière de réparation.

Si ce produit nécessite des réparations, lisez la section « Réparation » du présent manuel.

À qui s'adresse la garantie ? Seul l'acheteur original du produit peut profiter de la présente garantie.

Quels éléments sont couverts par la garantie ? La garantie limitée couvre tous les défauts de pièces et de main-d'œuvre.

Qu'est-ce qui est couvert ? Cette garantie limitée couvre toutes les imperfections de fabrication et de matériel. Qu'est-ce qui n'est pas couvert ? Cette garantie limitée ne couvre pas les dommages résultant d'un accident, d'une mauvaise utilisation, d'un abus, d'un manque d'entretien, de l'installation de toute pièce ajoutée non fournie avec ce produit ou de perte de pièces. EN AUCUN CAS, ENERGO TECHNICAL PRODUCTS, NE PEUT ÊTRE TENU RESPONSABLE POUR TOUS DOMMAGES SPÉCIAUX, ACCESSOIRES OU INDIRECTS NI POUR TOUS DOMMAGES RÉSULTANT D'UNE MAUVAISE UTILISATION OU D'UNE MODIFICATION DU PRODUIT.

⚠AVERTISSEMENT

Danger de la qualité de l'air

- N'utilisez pas cet appareil de chauffage pour le chauffage des locaux d'habitation humaine.
- L'utilisation des appareils de chauffage direct dans les environnements de construction peut vous exposer à des niveaux de CO, CO₂, et NO₂, qui sont considérés comme dangereux pour la santé et potentiellement mortels.
- Ne pas utiliser dans les zones non ventilées.
- Connaissez les signes d'empoisonnement au CO et CO₂.
 - Maux de tête, brûlure des yeux
 - Vertige, désorientation
 - Difficulté à respirer, sensation d'étouffement
- Un échange d'air de ventilation adéquat (OSHA 29 CFR 1926.57) pour supporter la combustion et maintenir une qualité de l'air acceptable est fournie selon OSHA 29 CFR partie 1926.154, ANSI A10.10 Exigences de sécurité pour les appareils et équipements de chauffage portables et temporaires utilisés dans l'industrie de la construction ou les Codes CSA pour le gaz naturel et le gaz propane CSA B149.1.
 - Surveiller périodiquement les niveaux de CO, de CO₂ et de NO₂ existants sur le site de construction – à tout le moins au début du quart de travail et après 4 heures.
 - Prévoir un échange d'air de ventilation, soit naturel ou mécanique, tel que requis pour maintenir une qualité de l'air intérieur acceptable.

	Moyenne pondérée dans le temps sur 8 heures, États-Unis (OSHA 29 CFR 1926.55 App A)	Moyenne pondérée dans le temps sur 8 heures, Canada Directives SST de Work-Safe BC partie 5.1 et Règlement sur les milieux de travail en Ontario 833
CO	50 parties par million	25 parties par million
CO ₂	5000 parties par million	5000 parties par million
NO ₂		3 parties par million (Reg 833)
	É.-U. - Limite de plafond (limite d'exposition à court terme = 15 minutes)	Directives de SST Canada STEL (15 minutes Rég. 833 / 1 heure WSBC) de WorkSafe BC partie 5.1 et Règlement sur les milieux de travail en Ontario 833
CO		100 parties par million
CO ₂		15000 parties par million (WSBC) 30000 parties par million (Reg 833)
NO ₂	5 parties par million	1.0 parties par million (WorkSafeBC) 5.0 parties par million (Reg 833)

- Assurez-vous que le débit d'échange d'air de combustion et de ventilation ne peut pas être obstrué.
- La ventilation peut devoir être augmentée à mesure que le bâtiment « durcit » lors des phases de construction.

L'installation de cet appareil à une altitude supérieure à 2000 pi (610 m) doit être conforme aux codes locaux, ou en l'absence de codes locaux, le National Fuel Gas Code, ANSI Z223.1/NFPA 54, ou la norme nationale du Canada, le Code pour le gaz naturel et le gaz propane, CSA B149.1.

L'appareil de chauffage a été expédié de l'usine, configuré pour fonctionner au gaz propane.



GUIDE D'UTILISATION ET MANUEL DU PROPRIÉTAIRE

Modèle # :

MH60CLP

LISEZ SOIGNEUSEMENT LES INSTRUCTIONS : Lisez et observez toutes les instructions. Conservez ces instructions dans un endroit sécuritaire pour vous y référer ultérieurement. Ne permettez pas à quiconque n'ayant pas lu les présentes instructions d'assembler, d'allumer, de régler ou de faire fonctionner l'appareil.



AVERTISSEMENT :

N'UTILISEZ QUE LES PIÈCES DE REMPLACEMENT DU FABRICANT. L'UTILISATION D'AUTRES PIÈCES RISQUE DE CAUSER DES BLESSURES ET LA MORT. LES PIÈCES DE REMPLACEMENT NE SONT OFFERTES QUE PAR LE FABRICANT ET DOIVENT ÊTRE INSTALLÉES PAR UNE ENTREPRISE SPÉCIALISÉE.

INFORMATIONS SUR LA COMMANDE DE PIÈCES :

ACHAT : On peut se procurer les accessoires par l'entremise de tous les détaillants locaux Mr. Heater/HeatStar ou directement du fabricant.

POUR OBTENIR DES INFORMATIONS SUR LE SERVICE

Appelez sans frais au 800-251-0001 • www.mrheater.com

Nos heures d'ouverture sont de 8:00am-5:00pm HE, du lundi au vendredi.

Veuillez indiquer le numéro du modèle, la date d'achat et la description du problème dans toutes vos communications avec nous.

GARANTIE LIMITÉE

L'entreprise garantit ce produit contre tout défaut de matériel ou de main-d'œuvre, dans des conditions d'utilisation normale et adéquate, conformément aux instructions de l'entreprise, pour une période de un an à compter de la date de livraison à l'acheteur. L'entreprise réparera ou remplacera, à sa discrétion, les produits retournés port payé par l'acheteur au fabricant dans la période de un an et jugés par l'entreprise comme présentant des défauts de matériel ou de main-d'œuvre.

Si une pièce est endommagée ou manquante, téléphonez à notre service de soutien technique au 800-251-0001.

Adressez toute réclamation relative à la garantie à Service Department, Mr. Heater, Inc., 4560 W. 160th St., Cleveland, Ohio 44135 États-Unis. Indiquez vos nom, adresse et numéro de téléphone ainsi que les détails de la réclamation. Indiquez-nous également la date d'achat et le nom et l'adresse du détaillant de qui vous avez acheté le produit.

Ce qui est énoncé ci-dessus constitue la responsabilité totale de l'entreprise. Il n'existe aucune autre garantie, expresse ou tacite. Plus précisément, il n'y a aucune garantie concernant l'adéquation à une utilisation particulière ni aucune garantie concernant la qualité marchande. En aucun cas l'entreprise ne saura être tenue responsable des retards causés par des défauts, ni des dommages indirects, ni des dépenses encourues sans son consentement écrit, quelle que soit leur nature. Le coût de la réparation ou du remplacement sera le seul recours possible en cas de violation de garantie. Il n'y a aucune garantie contre une transgression de ce genre ni aucune garantie tacite découlant des usages du commerce ou de la façon habituelle d'échanger. La présente garantie ne s'applique à aucun produit qui a été réparé ou modifié par d'autres que le fabricant si cela influe de quelque façon que ce soit sur la condition de l'appareil ou son fonctionnement, selon notre jugement.

Certains États ou provinces ne permettent pas d'exclure ou de limiter les dommages indirects ou subséquents. Par conséquent, les limitations ou exclusions ci-dessus mentionnées ne vous concernent peut-être pas. La présente garantie vous accorde des droits juridiques précis, mais vous pourriez avoir d'autres droits qui varient selon la province ou l'État.

MR. Heater Group, Inc. se réserve le droit de faire des changements à tout moment, sans préavis ni obligation, pour les couleurs, les spécifications, les accessoires, les matériaux et les modèles.

ENREGISTREMENT DU PRODUIT : Nous vous remercions pour votre achat.

Veuillez vous connecter à <http://www.egiregistration.com> pour enregistrer votre produit.



Intertek

MR. HEATER, INC., 4560 W. 160TH ST., CLEVELAND, OHIO 44135 • 800-251-0001

Mr. Heater est une marque déposée d'Enerco Technical Products, Inc.

©Mr. Heater, 2020. Tous droits réservés.

¡NUNCA DEJE EL CALENTADOR DESATENDIDO MIENTRAS SE QUEMA!



INSTRUCCIONES DE USO Y MANUAL DEL USUARIO

Modelo #

MH60CLP

LEA CUIDADOSAMENTE LAS INSTRUCCIONES: lea y siga todas las instrucciones. Conserve estas instrucciones en un lugar seguro para futura referencia. No permita que nadie que no haya leído estas instrucciones arme, encienda, ajuste o use el calentador.



CALENTADOR DE PROPANO A AIRE FORZADO PARA CONSTRUCCIÓN

ADVERTENCIA:

Si no se siguen al pie de la letra las instrucciones de este manual, podría producirse un incendio o una explosión que provocaría daños materiales, lesiones o muertes.

- No almacene ni utilice gasolina ni ningún otro vapor ni líquido inflamable cerca de este ni de ningún otro artefacto.
- Los cilindros LP que no están conectados al calefactor no deben almacenarse cerca de este ni de ningún otro artefacto.
- QUÉ HACER SI DETECTA OLOR A GAS
 - No intente encender el artefacto.
 - Apague todas las llamas expuestas.
 - Corte el suministro de gas al artefacto.
- El mantenimiento debe realizarlo una agencia de servicios calificada.

Este calefactor portátil a gas no tiene una fuente propia de ventilación. Utiliza el aire (oxígeno) del área en la cual se emplea. Debe suministrarse el aire necesario para la ventilación y la combustión. Ver página 3.

⚠️ ADVERTENCIA:

SU SEGURIDAD ES IMPORTANTE PARA USTED Y PARA LOS DEMÁS. POR ELLO, LEA ESTAS INSTRUCCIONES ANTES DE UTILIZAR EL CALENTADOR.

⚠️ ADVERTENCIA GENERAL DE PELIGRO:

EL NO CUMPLIR CON LAS PRECAUCIONES E INSTRUCCIONES QUE VIENEN CON ESTE CALENTADOR PUEDE CAUSAR LA MUERTE, LESIONES GRAVES Y PÉRDIDAS Y DAÑOS MATERIALES DERIVADOS DEL PELIGRO DE INCENDIO, EXPLOSIÓN, QUEMADURAS, ASFIXIA, ENVENENAMIENTO CON MONÓXIDO DE CARBONO Y/O DESCARGAS ELÉCTRICAS.

SOLO LAS PERSONAS QUE ENTIENDAN Y PUEDAN SEGUIR LAS INSTRUCCIONES DEBEN USAR O MANTENER ESTE CALENTADOR.

SI NECESITA AYUDA O INFORMACIÓN ACERCA DEL CALENTADOR, COMO MANUALES DE INSTRUCCIONES, ETIQUETAS, ETC., PÓNGASE EN CONTACTO CON EL FABRICANTE.

⚠️ ADVERTENCIA: LOS COMBUSTIBLES USADOS EN EQUIPOS PARA LICUAR GAS PROPANO, ASÍ COMO LOS PRODUCTOS DE SU COMBUSTIÓN, PUEDEN EXPONERTE A SUSTANCIAS QUÍMICAS, ENTRE ELLAS EL BENCENO, QUE EL ESTADO DE CALIFORNIA RECONOCE COMO CAUSA DE CÁNCER Y DE MALFORMACIONES CONGÉNITAS Y OTROS DAÑOS AL SISTEMA REPRODUCTOR. PARA MÁS INFORMACIÓN, WWW.P65WARNINGS.CA.GOV

⚠️ ADVERTENCIA:

EL MONOXIDO DE CARBONO PUEDE MATARLO

NO APTO PARA USAR EN EL HOGAR NI EN CASAS RODANTES, USANDO UN CALENTADOR PORTÁTIL EN UN ÁREA CERRADA PUEDE PRODUCIR MONÓXIDO DE CARBONO MORTAL.

⚠️ ADVERTENCIA:

PELIGRO DE INCENDIO, QUEMADURAS, INHALACIÓN Y EXPLOSIÓN. MANTENGA LOS COMBUSTIBLES SÓLIDOS COMO MATERIALES DE CONSTRUCCIÓN, PAPEL O CARTÓN A UNA DISTANCIA SEGURA DEL CALENTADOR TAL COMO LO RECOMIENDAN LAS INSTRUCCIONES. NUNCA USE EL CALENTADOR EN ESPACIOS QUE CONTIENEN O PODRÍAN CONTENER COMBUSTIBLES VOLÁTILES O PRODUCTOS COMO GASOLINA, SOLVENTES, DILUYENTE DE PINTURA O PRODUCTOS QUÍMICOS DESCONOCIDOS.

⚠️ ADVERTENCIA: ESTE PRODUCTO PUEDE EXPONERLE A PLOMO Y COMPUESTOS DE PLOMO, QUE ES CONOCIDO (A) POR EL ESTADO DE CALIFORNIA COMO CAUSANTE DE CÁNCER. LÁVESE LAS MANOS DESPUÉS DE MANIPULAR ESTE PRODUCTO. PARA MAYOR INFORMACIÓN, VISITE WWW.P65WARNINGS.CA.GOV.

CONTENIDOS

ESPECIFICACIONES DEL CALENTADOR 2
 ADVERTENCIAS..... 2
 PRECAUCIONES DE UTILIZACIÓN 3
 PRECAUCIONES DE SEGURIDAD..... 3
 ADVERTENCIA DE DISIPACIÓN DEL OLOR..... 4
 PREPARATIVOS PARA OPERACIÓN..... 5
 PROCEDIMIENTO DE RECARGA DE BATERÍA..... 5
 INFORMACIÓN DE LA BATERÍA 5
 INFORMACIÓN DE RECICLAJE DE BATERÍAS 5
 FUNCIONAMIENTO DEL CALENTADOR 6
 MANTENIMIENTO Y ALMACENAMIENTO..... 6
 REPARACIÓN 6
 ESQUEMA DE CABLEADO 7
 LISTA DE PARTES..... 8
 INFORMACIÓN SOBRE TAMAÑO Y CAPACIDAD DEL PROPANO..... 9
 INFORMACIÓN DE GARANTÍA 13

ESPECIFICACIONES

Tipo de gas:..... Para usar únicamente con gas propano
 Presión del suministro de gas de entrada al regulador..... Máx.: 1380 kPa (200 psi)
 Mín.: 34,4 kPa (5 psi)
 de salida al regulador..... 149,8 cm.c.a (59" WC) (14,70 kPa)
 Presión del colector:..... 124,4 cm.c.a (49" WC) (12,21 kPa)
 Entrada de corriente: 10/220 V, 50/60 Hz, 1Ø, 2A
 Encendido:..... Chispa automática/ válvula de gas manual
 Control primario de la llama:.. Válvula de gas operada por termocupla
 Control de alta temperatura:.. 115 °C (240 °F)
 Temperatura ambiente mínima Especificaciones -17,8 °C (0 °F)
Modelo:..... MH60CLP
 Especificación: 30.000 - 60.000 BTU/hr (8,79 - 17,58 kW)
 Consumo de combustible: 2,78 #/hr (1,26 kg/hr)
 Tamaño del puerto del orificio de combustible: 1,55 mm
 Especificaciones para el ventilador:..... 135 pcm
 Tiempo de carga:..... 5 horas
 Tiempo de ejecución 4 horas (8 horas con el kit F227964)

PRECAUCIONES DE UTILIZACIÓN

Este calentador es un calentador de propano de caldeo directo a aire forzado. Está diseñado principalmente para el calentamiento de edificios en construcción, remodelación o reparación.

El propano es más pesado que el aire. Cuando el propano escapa de una conexión o acople, desciende hacia el piso y se acumula allí con el aire circundante, formando una mezcla potencialmente explosiva. Obviamente, las fugas de propano deben evitarse, así que debe establecer la conexión del suministro de propano con extremo cuidado. Lea el documento adjunto "Propano y disipación del olor" para obtener más información sobre la detección de fugas de propano. Realice una comprobación de fugas utilizando una solución de agua jabonosa siempre que establezca una nueva conexión o realice una reconexión, y siga todas las instrucciones de conexión incluidas en este documento. Además, solicite asesoramiento de su proveedor de propano acerca de la aplicación e instalación del suministro de propano, y pídale que realice una revisión si tuviera alguna duda.

Este calentador fue diseñado y certificado para ser utilizado como un calentador para sitios de construcción de acuerdo con el estándar ANSI Z83.7/CGA 2.14. Consulte con la autoridad de seguridad anti-incendios si tiene alguna pregunta sobre sus aplicaciones. Hay otros estándares que rigen el uso de gases combustibles y productos que producen calor en aplicaciones específicas. Su autoridad local podrá asesorarle al respecto.

De caldeo directo quiere decir que todos los productos de la combustión ingresan al espacio calentado. Aunque este calentador funciona casi a un 100% de eficiencia de combustión, produce pequeñas cantidades de monóxido de carbono. El monóxido de carbono (CO) es tóxico. Podemos tolerar pequeñas cantidades, pero no grandes cantidades. El CO puede acumularse en el lugar que se calienta y si no se establecen las condiciones de ventilación adecuadas puede resultar mortal. Los síntomas de ventilación inadecuada son:

- dolor de cabeza
- mareos
- ardencia en los ojos y en la nariz
- náuseas
- boca reseca o dolor de garganta

Por tanto, asegúrese de seguir las recomendaciones sobre las condiciones de ventilación que se incluyen en estas instrucciones de uso.

Aire forzado significa que un soplador o ventilador impulsa el aire a través del calentador. La combustión depende de este flujo de aire para realizarse correctamente, por tanto, el calentador no debe modificarse, alterarse o utilizarse si se le han sustraído o le faltan partes. Asimismo, no se deben alterar ni modificar los sistemas de seguridad para utilizar el calentador.

Cuando deba utilizarse el calentador en presencia de otras personas, el usuario será responsable de poner a los presentes al corriente de las precauciones e instrucciones de seguridad, y de los posibles peligros.

PRECAUCIONES DE SEGURIDAD

1. Revise cuidadosamente si el calentador presenta daños. NO opere un calentador dañado.
2. **NO** modifique el calentador ni opere un calentador cuya configuración original haya sido modificada.
3. Utilice únicamente gas propano.
4. Utilice únicamente suministro de propano con RECUPERACIÓN DE VAPOR. Si tiene alguna pregunta sobre la recuperación de vapor, consulte a su proveedor de propano.
5. Monte los tanques de propano verticalmente (válvula hacia arriba). Asegúrelos para que no caigan ni sean arrojados al piso y protéjalos de daños.
6. Sitúe los envases de propano por lo menos a 2,13 m (7 pies) (EE. UU.) o a 3 m (10 pies) (Canadá) del calentador y **no** apunte el escape hacia ellos.
7. **IMPORTANTE:** Use únicamente la manguera y el regulador que vienen con el calentador. Haga coincidir la franja de color de la etiqueta colgante que se encuentra en el acople de la manguera con el color de la etiqueta situada cerca del acople de entrada del propano en el calentador. Inspeccione siempre el conjunto de la manguera antes de utilizar el calentador. Si el conjunto de la manguera estuviera excesivamente estropeado o desgastado, o si presentara cortaduras, reemplácelo por uno de los que se especifica en la lista de partes antes de utilizar el calentador.
8. Sólo para uso en interiores. El área debe estar bien ventilada. Garantice aperturas de mínimo 0,046 m² (1/2 pie cuadrado) cerca del suelo y de 0,046 m² (1/2 pie cuadrado) cerca del techo (vea también "Precauciones de utilización").
9. Si detectara olor a gas en algún momento, **INTERRUMPA INMEDIATAMENTE** la utilización del equipo hasta que haya sido detectada y corregida la fuente de gas. Lea el documento adjunto "Propano y disipación del olor" para obtener más información sobre la detección de fugas de propano.
10. Instale el calentador de forma tal que no esté directamente expuesto a salpicaduras de agua, lluvia ni/o goteo de agua.
11. Mantenga distancias mínimas de materiales combustibles normales (como el papel) cual se indica a continuación: piso-0 m (0 pies); salida-1,83 m (6 pies); laterales-0,61 m (2 pies); cubierta-1,83 m (6 pies). Colóquelo a 10 m (3 pies) de lonas o cubiertas de protección plásticas o cubiertas similares y asegúrelas para evitar que ondeen o se muevan por la acción del viento.
12. Dadas las elevadas temperaturas de la superficie y del escape, tanto los adultos como los niños deben mantener la distancia adecuada para evitar quemaduras o la ignición de su ropa.
13. Úselo únicamente sobre una superficie nivelada y estable.
14. No utilizar en redes de conductos. No restringir las entradas ni las salidas.
15. Utilice únicamente la alimentación eléctrica especificada. La conexión eléctrica y a tierra debe cumplir con los requisitos del Código Eléctrico Nacional - ANSI/NFPA 70 (EE.UU.) y del Código Eléctrico Canadiense CSA C22.1, Primera parte (Canadá).
16. Utilice únicamente un cable de extensión (mínimo 1,83 m (6 pies) de longitud) o un receptáculo de tres patas correctamente conectado a tierra.
17. No mover, manipular ni ajustar mientras esté caliente o encendido.
18. Utilizar únicamente de acuerdo con los códigos locales o, en la ausencia de códigos locales, de acuerdo con los Estándares ANSI/NFPA 58 y CSA B149.1 para almacenamiento y manipulación de gases licuados de petróleo del Código de instalación de propano y gas natural.

ADVERTENCIA DE DISIPACIÓN DEL OLOR

⚠️ ADVERTENCIA

Peligro de asfixia

- No utilice este calentador para calentar locales habitados por personas.
- No lo utilice en áreas sin ventilación.
- No obstruya el flujo de aire necesario para la combustión y la ventilación.
- Deberá suministrar la ventilación adecuada para garantizar que el calentador disponga del aire que necesita para la combustión.
- Consulte la sección de especificaciones del manual del calentador, la placa del calentador, o póngase en contacto con el fabricante para conocer los requerimientos de ventilación del calentador.
- Si la ventilación no es la adecuada, la combustión no se llevará a cabo correctamente.
- Una combustión inadecuada puede producir envenenamiento con monóxido de carbono con graves daños para la salud, o causar la muerte. Los síntomas de envenenamiento con monóxido de carbono incluyen dolores de cabeza, mareos y dificultad al respirar.

OLOR A GAS COMBUSTIBLE

Los gases LP y el gas natural contienen sustancias aromáticas artificiales añadidas específicamente para facilitar la detección de fugas de gas. Si se produjera una fuga de gas, usted debe poder oler el gas combustible. Dado que el propano (LP) es más pesado que el aire, debe tratar de detectar el olor lo más cerca del piso posible. ¡CUALQUIER OLOR A GAS SERÁ LA SEÑAL PARA TOMAR MEDIDAS INMEDIATAMENTE!

- No haga nada que pudiera inflamar el gas combustible. No active ningún interruptor eléctrico. No desconecte ningún tomacorriente ni cables de extensión. No encienda fósforos ni ninguna otra fuente de llamas. No utilice su teléfono.
- Saque a todas las personas del edificio y aléjelos del área inmediatamente.
- Cierre todas las válvulas de suministro de combustible de los tanques o del tanque del gas propano (LP), o la válvula principal de suministro de combustible que se encuentra en el metro contador si emplea gas natural.
- El gas propano (LP) es más pesado que el aire y puede asentarse en áreas bajas. Cuando sospeche que puede haber una fuga de propano, manténgase alejado de las áreas bajas.
- Utilice el teléfono de su vecino y llame a su proveedor de gas y a su departamento de bomberos. No vuelva a entrar al edificio ni se acerque al área.
- Manténgase alejado del edificio y del área hasta que los bomberos y su proveedor de gas hayan declarado que no hay peligro.
- **POR ÚLTIMO**, permita que la persona del servicio de gas y los bomberos revisen si hay fugas de gas. Haga que ventilen el

edificio y el área antes de su regreso. Un agente de servicios calificado debe reparar cualquier fuga, revisar si hay otras fugas, y volver a encender el artefacto por usted.

DISIPACIÓN DEL OLOR - NO SE DETECTA NINGÚN OLOR

- Algunas personas tienen problemas de olfato. Algunos no pueden detectar el olor del químico artificial añadido al propano (LP) o al gas natural. Debe determinar si es capaz de oler la sustancia aromática que contienen estos gases combustibles.
- Aprenda a reconocer el olor del gas propano (LP) y del gas natural. Los distribuidores locales de propano (LP) le darán con gusto un panfleto con muestras de olores. Utilícelo para familiarizarse con el olor del gas combustible.
- El hábito de fumar puede disminuir su sentido del olfato. Exponerse a un olor durante un período de tiempo puede afectar su sensibilidad a ese olor específico. Los olores presentes en instalaciones donde se crían animales pueden enmascarar el olor del gas combustible.
- **La sustancia aromática presente en el gas propano (LP) y en el gas natural es incolora y la intensidad de su olor puede desvanecerse en algunas circunstancias.**
- Si hay una fuga subterránea, el recorrido del gas a través del suelo filtrará esta sustancia aromática.
- El aroma del gas propano (LP) puede variar en intensidad a diferentes niveles. Dado que el gas propano (LP) es más pesado que el aire, el olor puede ser más intenso en los niveles más bajos.
- **Manténgase siempre alerta al más mínimo olor a gas.** Si continúa percibiendo el olor a gas, no importa cuán poco sea, proceda como si fuera una fuga seria. Tome medidas inmediatamente como se explicó anteriormente.

ATENCIÓN ¡PUNTOS IMPORTANTES A RECORDAR!

- El gas propano (LP) tiene un olor característico. Aprenda a reconocer estos olores. (Vea las secciones Olor a gas combustible y Disipación del olor).
- Aunque usted no esté capacitado para dar mantenimiento y reparar el calentador, SIEMPRE esté al tanto de los olores del gas propano (LP) y del gas natural.
- Si no ha recibido capacitación para reparar y dar mantenimiento a equipos que emplean gas propano (LP), no intente encender el calentador, ni darle mantenimiento o repararlo, ni haga ningún ajuste al calentador en el sistema de combustible de gas propano.
- Una prueba olfativa periódica en las proximidades del calentador o en las conexiones del calentador, por ejemplo, en la manguera, los acoples, etc., es una buena costumbre en todo momento. Si huele la más mínima cantidad de gas, **PÓNGASE EN CONTACTO CON SU PROVEEDOR DE GAS INMEDIATAMENTE. ¡NO ESPERE!**

PREPARATIVOS PARA EL USO

1. Revise el calentador para determinar si sufrió daños durante el envío. Si encontrara alguno, notifíquelo **inmediatamente** a la fábrica.
2. Recargue la batería (consulte la sección Procedimiento de recarga de batería).
3. Siga todas las "Precauciones".
4. Conecte el acople POL de la manguera y el conjunto del regulador al cilindro de propano rotando la tuerca POL hacia la izquierda dentro de la válvula de salida del cilindro de propano y ajústela con una llave.
5. Conecte la manguera al calentador rotando el acople de la manguera hacia la derecha.

6. Apriete fuertemente todas las conexiones de gas.
7. Abra lentamente la válvula de gas del cilindro y verifique todas las conexiones de gas con una solución de agua jabonosa para ver si aparecen burbujas que indican una fuga de gas. Nota: si no abre lentamente la válvula del tanque, es posible que la válvula de control de exceso de flujo del tanque de propano interrumpa el flujo del gas. NO UTILICE LLAMAS.
8. Cierre la válvula de gas del cilindro de propano.

PROCEDIMIENTO DE CARGA Y MANEJO DE LA BATERÍA

ES RECOMENDABLE QUE LA BATERÍA ESTÉ COMPLETAMENTE CARGADA ANTES DE LA PRIMERA UTILIZACIÓN DEL CALENTADOR Y DEBE RECARGARSE DESPUÉS DE UTILIZARLO PARA PROLONGAR LA VIDA ÚTIL DE LA BATERÍA. RECARGAR SU BATERÍA FRECUENTEMENTE NO LA DAÑARÁ Y GARANTIZARÁ QUE LA BATERÍA ESTÉ COMPLETAMENTE CARGADA Y LISTA PARA SU PRÓXIMO USO. GUARDAR LA BATERÍA SIN QUE ESTÉ COMPLETAMENTE CARGADA ACORTARÁ LA VIDA ÚTIL DE LA BATERÍA. CONSULTE LA SECCIÓN "ALMACENAMIENTO EN TEMPORADA BAJA".

1. Apague el calentador.
2. Conecte el cable de alimentación/recarga en el receptáculo de alimentación que se encuentra en la parte posterior del calentador y conéctelo directamente a una toma de alimentación de 120V. **NO MALTRATE EL CABLE.**

*Nunca cargue el calentador por el cable. No desconecte el calentador del tomacorriente tirando del cable.

*Siempre recargue el calentador en un área seca protegida del clima. No exponga el calentador ni el cargador a la lluvia. No lo recargue en áreas húmedas.

*No recargue la batería cuando la temperatura supere los 40 °C (104 °F) o esté por debajo de 17,8 °C (0 °F).

*Recargue la batería del calentador en un área bien ventilada.

*Mantenga el calentador y el cargador alejados del agua, de fuentes de calor (como radiadores, otros calentadores, estufas, etc.), llamas y / o productos químicos. Tenga cuidado de no dañar el cable del cargador manteniendo el cable alejado de bordes filosos.

ADVERTENCIA

Para reducir el riesgo de incendio, descarga eléctrica o heridas no intente utilizar este cargador con ningún otro producto. Asimismo, no intente cargar la batería HERO con ningún otro cargador.

3. La luz verde del LED en el interruptor on/off (encendido/apagado) comenzará a parpadear constantemente para indicar que la batería se está cargando.
4. La luz del LED verde dejará de parpadear y se apagará cuando la batería esté completamente cargada.
5. Recargar una batería completamente descargada tarda aproximadamente 5 horas.
6. El calentador está diseñado para funcionar y recargar la batería al mismo tiempo cuando está conectado a un tomacorriente de 120V.
7. Mr. Heater recomienda recargar la batería sistemáticamente entre uso y uso del calentador para lograr un rendimiento óptimo. Si no puede realizar la recarga de mantenimiento constantemente, se recomienda recargar la batería completamente cada 3 meses. Consulte la sección Mantenimiento y almacenamiento en la página S-6.

8. Batería baja: el calentador está equipado con un sistema activo de monitoreo de batería. Cuando el calentador está funcionando solamente con la batería interna, la luz del LED verde del panel de control comenzará a parpadear cuando quede aproximadamente 1 hora de tiempo de funcionamiento.
9. Apagado por bajo voltaje: Para evitar que la batería se descargue completamente y prolongar la vida útil de la batería, el calentador monitorea la batería y se apaga de forma segura cuando se alcanza un cierto nivel de voltaje. El calentador no volverá a encenderse hasta que no se conecte a una fuente de alimentación de 120V.

INFORMACIÓN DE LA BATERÍA CUIDADO: UTILICE ÚNICAMENTE BATERÍAS DE REPUESTO APROBADAS POR MR. HEATER — PÓNGASE EN CONTACTO CON SU CENTRO LOCAL DE SERVICIOS O LLAME AL (800)251-0001 X3611.

La batería es un sistema sellado de plomo-ácido de 12 voltios. La batería no contiene ningún líquido, por lo cual el calentador/batería puede guardarse en cualquier posición sin temor a que gotee.

- * Para un rendimiento óptimo, la batería debe estar completamente cargada antes de la primera utilización del calentador y debe mantenerse constantemente cargada cuando no se esté utilizando.
- * La batería debe cargarse en la posición correcta.
- * La batería no necesita descargarse completamente para recargarla.
- * Puede que se necesiten de 2 a 3 ciclos de recarga iniciales después de la compra para lograr la capacidad máxima de tiempo de funcionamiento.
- * Una batería completamente cargada puede almacenarse de forma segura hasta no menos de -17 °C (-0 °F).
- * La Batería no necesita mantenimiento.
- * La batería está diseñada para utilizarse únicamente en el calentador HERO de Mr. Heater y no debe utilizarse para ningún otro fin
- * la batería se carga de cero a llenar en 5 horas.
- * el calentador funciona durante 4 horas con una batería completamente cargada.
- * El kit de accesorios F227964 se puede agregar al calentador para extender el funcionamiento a 8 horas con una carga completa.

SELLO RBRC™ (RECICLAJE DE LA BATERÍA)

El sello RBRC™ (Corporación de Reciclaje de Baterías Recargables) que aparece en la batería de plomo-ácido (o conjunto de batería) indica que los costos de reciclaje de la batería (o conjunto de batería) al final de su vida útil han sido pagados por ENERCO GROUP INC. En algunas áreas es ilegal depositar baterías de plomo-ácido gastadas en la basura o en el sistema municipal de recogida de desechos sólidos, y el programa RBRC proporciona una alternativa responsable desde el punto de vista medioambiental.

RBRC™ de conjunto con ENERCO GROUP INC y otros usuarios de baterías, han establecido programas en Estados Unidos y Canadá para facilitar la recolección de baterías de plomo-ácido gastadas. Ayude a proteger nuestro medio ambiente y a conservar nuestros recursos naturales devolviendo la batería de plomo-ácido a su distribuidor local para reciclaje. También puede contactar a su centro local de reciclaje para solicitar información acerca de dónde puede depositar la batería gastada o llamar al 1-(800)-822-8837



ADVERTENCIA

PELIGRO DE INCENDIO—DESCONECTE SIEMPRE EL CALENTADOR DE LA TOMA DE ALIMENTACIÓN (TOMACORRIENTE DE LA PARED) ANTES DE RETIRAR EL CABLE DE ALIMENTACIÓN DEL CALENTADOR. BAJO CIERTAS CONDICIONES, CUANDO EL CALENTADOR ESTÁ CONECTADO A LA TOMA DE ALIMENTACIÓN, MATERIALES EXTRAÑOS PUEDEN PROVOCAR UN CORTE EN EL CONECTOR EXPUESTO Y PODRÍA PRODUCIRSE UN INCENDIO. LOS MATERIALES EXTRAÑOS QUE SON BUENOS CONDUCTORES, TALES COMO, PERO SIN LIMITARSE A, LANAS DE ACERO, PAPEL DE ALUMINIO, O CUALQUIER OTRO CONJUNTO DE PARTÍCULAS METÁLICAS, DEBEN MANTENERSE ALEJADOS DEL CONECTOR. DESCONECTE SIEMPRE EL CALENTADOR ANTES DE INTENTAR LIMPIARLO.

FUNCIONAMIENTO DEL CALENTADOR

ENCENDIDO

1. El calentador HERO está equipado con un interruptor para el ventilador soplador, situado en el panel de control del calentador. Presione el interruptor on/off para encender el ventilador soplador. Una vez encendido el ventilador, la luz del LED verde en el panel de control se encenderá y se mantendrá fija para indicar que el ventilador está funcionando. El ventilador soplador debe encenderse antes de presionar LENTAMENTE la válvula de gas/ignición para encender el calentador.

AVISO: La válvula de combustible (botón naranja) tiene una traba de seguridad y no se puede presionar antes de que el ventilador se haya encendido.

2. Abra lentamente la llave de paso del gas en el tanque. Nota: Si no la abre lentamente, la válvula de control de exceso de flujo del tanque de propano interrumpirá el flujo del gas. Si esto sucede, cierre la llave de paso y vuelva a abrirla lentamente. Espere 15 segundos antes de continuar con el Paso 3.
3. Una vez encendido el ventilador soplador, presione LENTAMENTE el botón naranja de la válvula de gas/ignición situado en el panel de control para encender la llama del calentador. Si el calentador no enciende, suelte el botón naranja y repita este paso. Mantenga la válvula presionada de 30 a 60 segundos después de haber encendido el quemador, luego libérela y el calentador continuará funcionando. Si el quemador se apaga, espere 20 segundos y repita estos pasos.

AVISO: Este calentador está equipado con una traba de seguridad de solenoide que evita que la válvula de gas se presione hasta que el calentador se encienda y el ventilador esté funcionando. Este sistema admite 30 segundos para el intento de encendido. Después de 30 segundos, debe reiniciar el calentador para intentar encenderlo nuevamente. Para reiniciarlo, gire el interruptor "on/off" (encendido/apagado) hacia la posición "off" (apagado) y luego nuevamente a la posición "on" (encendido).

APAGADO DE SEGURIDAD

Cuando el calentador detecte un cambio en la fuente de alimentación (conexión o desconexión de CA mientras está funcionando) se apagará automáticamente. Después del apagado, deberá realizarse el procedimiento de "ENCENDIDO" para volver a encender el calentador.

TRABA DE BAJO VOLTAJE DE BATERÍA

Este calentador está equipado con un sistema de seguridad de traba de bajo voltaje de batería que evita el funcionamiento si el voltaje de la batería es demasiado bajo.

APAGADO

1. Presione el interruptor on/off para apagar el calentador.
2. Corte el suministro de gas cuando no esté utilizando el calentador.

MANTENIMIENTO Y ALMACENAMIENTO

1. Debe inspeccionar el calefactor antes de cada uso y hacerlo revisar por una persona calificada una vez por año.
2. Antes de cada uso, revise siempre el asiento del anillo de goma que se encuentra en el extremo del acople del POL. Si el anillo de goma presenta cortes, raspaduras o cualquier otro daño, reemplácelo por la parte número F273786.
3. Cierre la salida de gas en el tanque(s) de suministro de gas LP cuando no esté utilizando el calentador.
4. Cuando deba guardar el calentador en un lugar cerrado, deberá desconectar la conexión entre el tanque(s) de suministro de gas LP y el calentador, y deberá retirar el tanque(s) del calentador y guardarlo en un lugar al aire libre, como se especifica en el Capítulo 5 de los estándares ANSI/NFPA 58 y CSA B149.1 para almacenamiento y manipulación de gases de petróleo líquido del Código de instalación de propano y gas natural.
5. Se recomienda realizar la recarga de mantenimiento de la batería interna constantemente dejándola conectada siempre a una fuente de corriente de 120V. Si no puede realizar la recarga de mantenimiento constantemente, se recomienda recargar la batería completamente cada 3 meses.
6. El calentador podrá guardarse con el cargador desconectado si se cumplen todos los requisitos siguientes.
 - La batería está completamente cargada antes del almacenamiento. (Si no se guarda la batería completamente cargada se acortará la vida útil de la misma.)
 - La temperatura promedio del lugar de almacenamiento es inferior a 10 °C (50 °F).
 - El tiempo de almacenamiento no excederá los 6 meses.

REPARACIÓN

Se puede producir una situación de riesgo si se utiliza un calentador cuya configuración original haya sido modificada o si no está funcionando correctamente. Cuando el calentador funciona correctamente:

- * La llama arde al interior del calentador.
- * La llama es fundamentalmente azul y puede tener algunas terminaciones amarillas.
- * No se percibe un olor desagradable fuerte, no arden los ojos y no hay ningún otro tipo de incomodidad física.
- * No hay humo ni hollín dentro ni fuera del calentador.
- * El calentador no se apaga inesperadamente o inexplicablemente.

Las listas de partes y el diagrama extendido muestran la configuración original del calentador. No utilice un calentador que sea diferente del que se muestra. En este sentido, utilice únicamente la manguera, el regulador y el acople de conexión (denominado acople POL) suministrados con el calentador. **IMPORTANTE** Haga coincidir la franja de color de la etiqueta colgante que se encuentra en el acople de la manguera con el color de la etiqueta situada cerca del acople de entrada del propano en el calentador. No utilice partes alternativas. Para este calentador, el regulador debe estar instalado como se muestra en las "Especificaciones". Si hay alguna duda acerca de la instalación del regulador, haga que lo revisen.

Si un calentador *no* funciona correctamente debe ser reparado, pero solo por un técnico de mantenimiento capacitado y experimentado.

Para los productos en garantía la reparación se realizará sin costos de piezas ni mano de obra. Por favor incluya una breve declaración indicando la fecha y lugar de compra, la naturaleza del problema y el comprobante de compra.

La reparación de los productos que se encuentren fuera del período de garantía incluirá costos de piezas, mano de obra y envío.

¡NUNCA DEJE EL CALENTADOR DESATENDIDO MIENTRAS SE QUEMA!

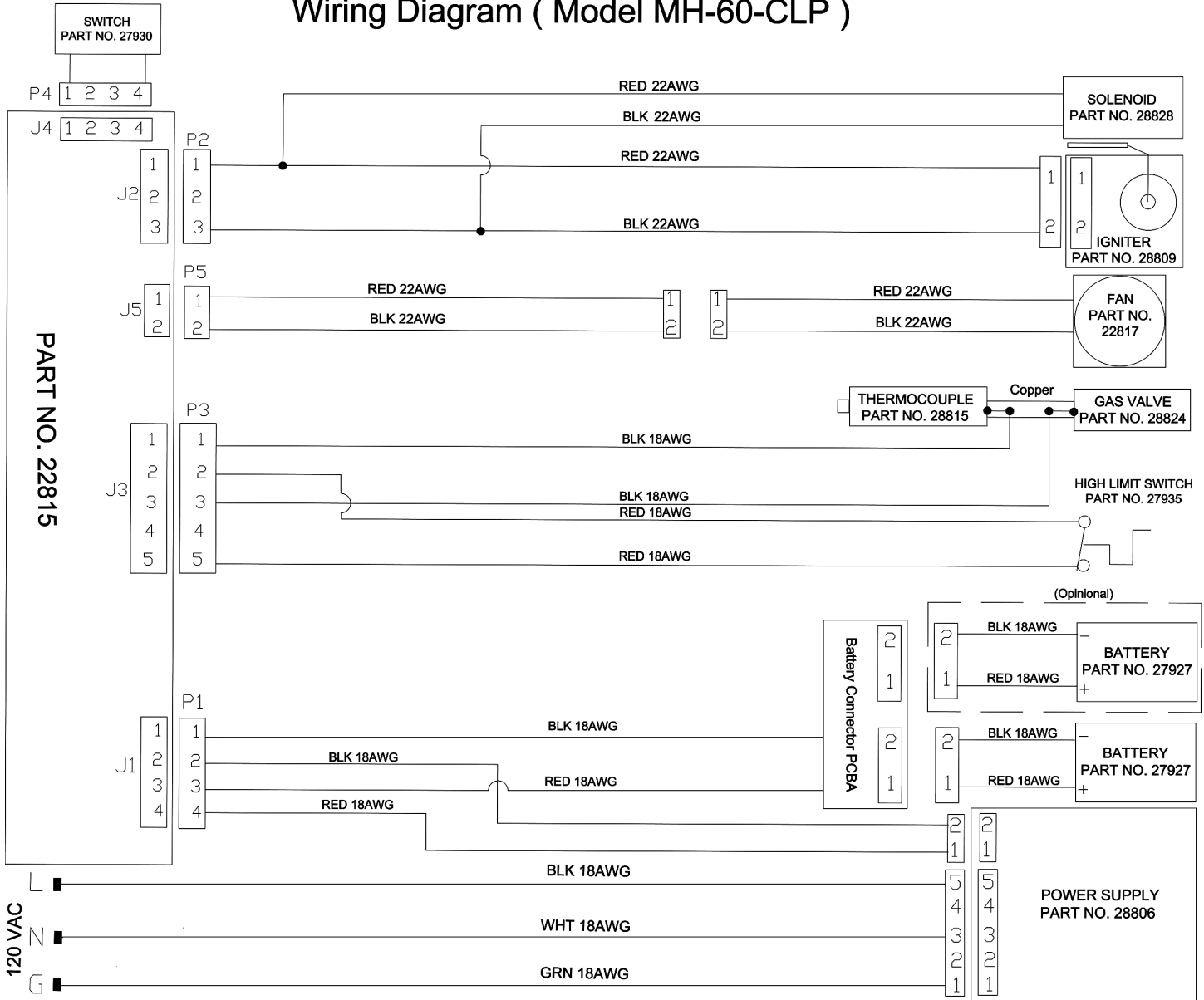
Cuando se necesite dar mantenimiento o reparar un equipo, es recomendable que lleve su calentador a un Centro de mantenimiento autorizado de Mr. Heater.

Cuando haga el mantenimiento o reemplace las baterías, por favor:

- No realice mantenimiento al calentador mientras la batería esté conectada a un tomacorriente.
- No opere un calentador dañado. Reemplace los cables dañados inmediatamente.
- Utilice únicamente baterías originales de Mr. Heater.

- No arroje las baterías al fuego al desecharlas. Los elementos podrían explotar. Vea la "Información de reciclaje de la batería" que aparece a continuación.
- No abra ni mutile las baterías. El electrolito que se libera es corrosivo y podría dañar sus ojos o su piel. Puede resultar tóxico si se ingiere.
- Ponga cuidado al manipular las baterías para evitar cortocircuitos en la batería ocasionados por materiales conductores tales como anillos, pulseras y/o llaves.

Wiring Diagram (Model MH-60-CLP)



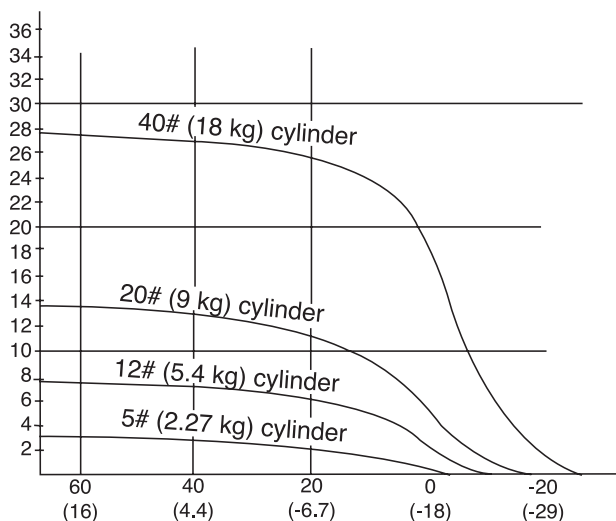
TAMAÑO Y CAPACIDAD DE LOS TANQUES DE PROPANO NECESARIOS

Los gráficos siguientes muestran el tamaño aproximado de tanque que necesitan estos calentadores. Para utilizar el gráfico:

1. Seleccione la temperatura de aire mínima esperada (parte inferior del gráfico).
2. Ascienda en la vertical hasta encontrar el tiempo de funcionamiento deseado (a la izquierda del gráfico)
3. Lea el tamaño de tanque requerido.

Todos los calentadores deben: tener tanques llenos
tener buena circulación de aire
estar libres de escarcha.

TIEMPO (HORAS)



REQUISITOS DE BTU POR HORA

REQUISITOS DE BTU POR HORA				
Volumen del lugar a calentar (pies cúbicos)	Incremento de temperatura requerido (°F)			
	20°	30°	40°	50°
5,000	14,000	20,000	27,999	34,000
7,000	19,000	28,000	38,000	47,000
10,000	27,000	40,000	54,000	67,000
15,000	40,000	60,000	80,000	100,000
20,000	54,000	80,000	107,000	133,000
30,000	80,000	120,000	160,000	200,000
50,000	133,000	200,000	266,000	333,000

GARANTÍA

Nos complace que haya seleccionado nuestro producto y aprovechamos la oportunidad para garantizarle que, de necesitarlas, hay instalaciones de servicios especializados a su disposición. Con la cooperación de agentes independientes, se encuentra disponible en todo el país una red de proveedores de servicios de reparación autorizados para atender sus necesidades de reparación.

Si su producto necesitara mantenimiento, lea la sección del manual titulada "Mantenimiento".

¿A quién corresponde la garantía? La garantía se limita al consumidor que realizó la compra original del producto.

¿Qué cubre? Esta garantía limitada cubre todas las deficiencias materiales y de fabricación.

¿Qué no cubre? Esta garantía limitada no cubre daños derivados de accidentes, del uso indebido o abuso del equipo, falta de mantenimiento, incorporación de cualquier aditamento no suministrado con los productos o pérdida de partes. EN NINGÚN CASO ENERGO TECHNICAL PRODUCTS SERÁ RESPONSABLE POR NINGÚN DAÑO ESPECIAL, INCIDENTAL O CONSECUENTE, NI POR NINGÚN DAÑO DERIVADO DEL USO INDEBIDO O MODIFICACIÓN DE ESTE PRODUCTO.

⚠ADVERTENCIA

Peligro para la calidad del aire

- No utilice este calefactor para calentar viviendas de personas.
- El uso de calefactores a fuego directo en lugares de construcción puede causar una exposición a niveles de CO, CO₂ y NO₂ considerados como peligrosos para la salud y potencialmente letales.
- No lo utilice en áreas sin ventilación.
- Conozca los signos de envenenamiento por CO y CO₂.
 - Dolor de cabeza, picazón en los ojos
 - Mareo, desorientación
 - Dificultad para respirar, sentirse sofocado
- Se debe proporcionar aire de ventilación exterior adecuado (OSHA 29 CFR 1926.57) como para mantener la combustión y una calidad de aire aceptable de acuerdo con la norma OSHA 29 CFR Parte 1926.154, con los requisitos de seguridad para dispositivos y equipos de calefacción temporarios y portátiles utilizados en la industria de la construcción (ANSI A10.10) o con las normas de instalación para gas natural y propano (CSA B149.1).
 - Controle periódicamente los niveles de CO, CO₂ y NO₂ presentes en el lugar de la construcción (como mínimo, al principio del turno de trabajo y luego de 4 horas).
 - Proporcione aire de ventilación exterior, ya sea de forma natural o mecánica, como sea necesario para mantener una calidad aceptable del aire interior.

	EE.UU.: Promedio ponderado de 8 horas (OSHA 29 CFR 1926.55 App A)	Canadá: Promedio ponderado de 8 horas Recomendaciones WorkSafe BC OHS Parte 5.1 y Reglamentaciones para lugares de trabajo de Ontario 833
CO	50 partes por millón	25 partes por millón
CO ₂	5000 partes por millón	5000 partes por millón
NO ₂		3 partes por millón (Reg 833)
	EE.UU.: Límite superior (Límite de exposición por corto tiempo = 15 minutos)	Canadá: STEL (15 minutos Reglamentación 833/1 hora WSBC) Recomendaciones WorkSafe BC OHS Parte 5.1 y Reglamentaciones para lugares de trabajo de Ontario 833
CO		100 partes por millón
CO ₂		15000 partes por millón (WSBC) 30000 partes por millón (Reg 833)
NO ₂	5 partes por millón	1.0 partes por millón (WorkSafeBC) 5.0 partes por millón (Reg 833)

- Asegúrese de que no obstruya el flujo de aire necesario para la combustión y para el aire de ventilación.
- A medida que el edificio se vuelve "más cerrado" durante las etapas de construcción, podría ser necesario aumentar la ventilación.

La instalación de este artefacto a alturas de más de 2000 pies (610 m) debe realizarse de acuerdo con las normas locales, y en caso de no existir, de acuerdo con la norma nacional para gas combustible (ANSI Z223.1/NFPA 54), con las normas nacionales de Canadá o con las normas de instalación para gas natural y propano (CSA B149.1)

El calefactor se envió desde la fábrica configurado para funcionar con gas propano.



INSTRUCCIONES DE USO Y MANUAL DEL USUARIO

Modelo #

MH60CLP

LEA CUIDADOSAMENTE LAS INSTRUCCIONES: lea y siga todas las instrucciones. Conserve estas instrucciones en un lugar seguro para futura referencia. No permita que nadie que no haya leído estas instrucciones arme, encienda, ajuste o use el calentador.



ADVERTENCIA:

USE SOLAMENTE PARTES DE REEMPLAZO DEL FABRICANTE. EL USO DE CUALQUIER OTRA PARTE PODRÍA CAUSAR HERIDAS O LA MUERTE. LAS PARTES DE REEMPLAZO ESTÁN DISPONIBLES ÚNICAMENTE EN LA FÁBRICA Y DEBEN SER INSTALADAS POR UNA AGENCIA DE SERVICIO CALIFICADA.

INFORMACIÓN PARA ORDENAR PARTES:

COMPRAS: Puede comprar accesorios en cualquier distribuidor local de Mr. Heater o directamente de la fábrica.

POR INFORMACIÓN ACERCA DE REPARACIONES

Por favor llame sin cargo al 800-251-0001 • www.mrheater.com

Nuestro horario de trabajo es de 8:00 AM a 5:00 PM, de lunes a viernes.

Por favor, incluya el número de modelo, la fecha de compra y la descripción del problema en todas sus comunicaciones.

GARANTÍA LIMITADA

La compañía da garantías de que este producto estará libre de imperfecciones materiales y de fabricación, bajo condiciones de uso normales y adecuadas de acuerdo con las instrucciones de la Compañía, por un período de un año a partir de la fecha de entrega al comprador. La Compañía, según decida, reparará o reemplazará los productos que el comprador devuelva a la fábrica, con transportación prepagada dentro del mencionado período de un año y que la Compañía determine que presentan imperfecciones materiales o de fabricación.

Si alguna de las partes está dañada o si le falta alguna, llame a nuestro Departamento de Asistencia Técnica al 800-251-0001.

Dirija sus reclamos de garantía a Service Department, Mr. Heater Group, Inc., 4560 W. 160th St., Cleveland, Ohio 44135. Incluya su nombre, dirección y número telefónico en su comunicación e incluya los detalles relacionados con el reclamo. Además, infórmenos la fecha de la compra y el nombre y dirección del proveedor de quien adquirió nuestro producto.

Lo anterior describe las responsabilidades de la Compañía en toda su extensión. No hay otras garantías, ni explícitas ni implícitas. Específicamente, no hay garantías acerca de la adecuación para un propósito particular y no hay garantías de comerciabilidad. En ningún caso la Compañía será responsable por demoras causadas por imperfecciones, por daños consecuentes, ni por ningún otro cargo de gastos de ninguna naturaleza realizado sin su consentimiento escrito. El costo de reparación o reemplazo será la única compensación por cualquier incumplimiento de la garantía. No hay garantía ni se derivará garantía implícita alguna del proceso de comercialización ni de las prácticas comerciales comunes. Esta garantía no será válida para productos que hayan sido reparados o alterados fuera de la fábrica en cualquier sentido que a nuestro criterio afecte su estado o funcionamiento.

Algunos estados no permiten la exclusión o limitación de daños incidentales ni consecuentes, así que la limitación o exclusión anterior puede no tener validez en su caso. Esta Garantía le otorga derechos legales específicos, y usted puede tener otros derechos que varían de un estado a otro.

Mr. Heater Group, Inc. se reserva el derecho de hacer cambios en cualquier momento, sin previo aviso, en los colores, especificaciones, accesorios, materiales y modelos.

REGISTRO DEL PRODUCTO: Gracias por su compra.

Inicie sesión en <http://www.egiregistration.com> para registrar su producto.



MR. HEATER, INC., 4560 W. 160TH ST., CLEVELAND, OHIO 44135 • 800-251-0001

Mr. Heater es una marca registrada de Mr. Heater, Inc.

© 2020, Mr. Heater/Mr. Heater. Todos los derechos reservados.