

NEVER LEAVE THE HEATER UNATTENDED WHILE BURNING!

OPERATING INSTRUCTIONS AND OWNER'S MANUAL



FORCED AIR PROPANE CONSTRUCTION HEATER

Featuring NEW QUIET BURNER TECHNOLOGY

Model #

MH170QFAVT

READ INSTRUCTIONS CAREFULLY: Read and follow all instructions. Place instructions in a safe place for future reference. Do not allow anyone who has not read these instructions to assemble, light, adjust or operate the heater.



WARNING: If the information in this manual is not followed exactly, a fire or explosion may result causing property damage, personal injury or loss of life.

- Do not store or use gasoline or other flammable vapors and liquids in the vicinity of this or any other appliance.
- An LP cylinder not connected for use shall not be stored in the vicinity of this or any other appliance.
- WHAT TO DO IF YOU SMELL GAS
 - Do not try to light appliance.
 - Extinguish any open flame.
 - Shut off gas to appliance.
- Service must be performed by a qualified service agency.

This is an unvented gas-fired portable heater. It uses air (oxygen) from the area in which it is used. Adequate combustion and ventilation air must be provided. Refer to page 3.

⚠️WARNING:

YOUR SAFETY IS IMPORTANT TO YOU AND TO OTHERS, SO PLEASE READ THESE INSTRUCTIONS BEFORE YOU OPERATE THIS HEATER.

⚠️GENERAL HAZARD WARNING:

FAILURE TO COMPLY WITH THE PRECAUTIONS AND INSTRUCTIONS PROVIDED WITH THIS HEATER, CAN RESULT IN DEATH, SERIOUS BODILY INJURY AND PROPERTY LOSS OR DAMAGE FROM HAZARDS OF FIRE, EXPLOSION, BURN, ASPHYXIATION, CARBON MONOXIDE POISONING, AND/OR ELECTRICAL SHOCK. ONLY PERSONS WHO CAN UNDERSTAND AND FOLLOW THE INSTRUCTIONS SHOULD USE OR SERVICE THIS HEATER.

IF YOU NEED ASSISTANCE OR HEATER INFORMATION SUCH AS AN INSTRUCTIONS MANUAL, LABELS, ETC. CONTACT THE MANUFACTURER.

⚠️WARNING:

CARBON MONOXIDE CAN KILL YOU

NOT FOR HOME OR RECREATIONAL VEHICLE USE, USING A PORTABLE HEATER IN AN ENCLOSED AREA CAN PRODUCE DEADLY CARBON MONOXIDE.

⚠️WARNING:

FIRE, BURN, INHALATION, AND EXPLOSION HAZARD. KEEP SOLID COMBUSTIBLES, SUCH AS BUILDING MATERIALS, PAPER OR CARDBOARD, A SAFE DISTANCE AWAY FROM THE HEATER AS RECOMMENDED BY THE INSTRUCTIONS. NEVER USE THE HEATER IN SPACES WHICH DO OR MAY CONTAIN VOLATILE OR AIRBORNE COMBUSTIBLES, OR PRODUCTS SUCH AS GASOLINE, SOLVENTS, PAINT THINNER, DUST PARTICLES OR UNKNOWN CHEMICALS.

⚠️ WARNING: Fuels used in liquefied propane gas appliances, and the products of combustion of such fuel, can expose you to chemicals including benzene, which is known to the state of California to cause cancer and cause birth defects or other reproductive harm, for more information go to www.P65Warnings.ca.gov

⚠️ WARNING: THIS PRODUCT CAN EXPOSE YOU TO CHEMICALS INCLUDING LEAD AND LEAD COMPOUNDS, WHICH ARE KNOWN TO THE STATE OF CALIFORNIA TO CAUSE CANCER AND BIRTH DEFECTS OR OTHER REPRODUCTIVE HARM. FOR MORE INFORMATION VISIT WWW.P65WARNINGS.CA.GOV

CONTENTS

Specifications..... 2

Operating Precautions 3

Safety Precations 3

Odor Fade Warning 4

Operating Instructions 4

Storage & Service 5

Lighting Instructions 5

Wiring Diagram 170 QFAVT 6

Parts List Q170 FAVT 7

Exploded View Drawing Q170 FAVT 7

Wiring Diagram Q170 FAV (No Thermostat) 8

SPECIFICATIONS

MODEL NO. 170QFAVT
GAS TYPE..... Propane
BTU RATING..... 125,000-170,000 BTU/hr

GAS SUPPLY PRESSURE TO REGULATOR

Maximum: Bottle Pressure, **Minimum:** 20 psig (137.9 kPa)
REGULATOR OUT 20 psi (137.9 kPa)
ELECTRICAL INPUT 115V, 60 Hz, 1Ø, 3a
IGNITION..... Direct Spark, interrupted type
PRIMARY FLAME CONTROL . SolidState,10-15 sec. timing

HIGH TEMPERATURE CONTROL 240°F (116°C)
Minimum Ambient Temp. Rating: 0°F (-17.8°C)

FUEL CONSUMPTION 5.8 - 7.9 lbs/hr
(2.6 - 3.6 kg/hr)

FUEL ORIFICE PORT NO.: 18
HEATED AIR OUTPUT: 450 CFM (12.74 CU M/M)

GENERAL INFORMATION

RETAIN THIS MANUAL FOR FUTURE REFERENCE.

FOR QUESTIONS, PROBLEMS, MISSING PARTS BEFORE RETURNING TO RETAILER PLEASE CALL WITH MODEL NUMBER AND SERIAL NUMBER OF HEATER:

1-800-321-0001


MONDAY-FRIDAY 8-5 PM EASTERN TIME

OR EMAIL USING THE MR. HEATER WEBSITE:
WWW.MRHEATER.COM

In order to provide the best service possible Mr. Heater is now giving you more ways to get in touch with us:

 **FACEBOOK:** Find us on facebook

 **TWITTER:** Find us on twitter

 **YOUTUBE:** There are now informational videos on YouTube.

WEBSITE: Mr. Heater's full line of product are now at WWW.MRHEATER.COM

NEVER LEAVE THE HEATER UNATTENDED WHILE BURNING!

OPERATING PRECAUTIONS

This is a propane, direct-fired, forced air heater. It's intended use is primarily temporary heating of buildings under construction, alteration or repair.

Propane is heavier than air. If propane leaks from a connection or fitting, it sinks to the floor, collecting there with the surrounding air, forming a potentially explosive mixture. Obviously, propane leaks should be avoided, so set up the propane supply with utmost care. Read enclosed Odor Fade and Propane Sheet for additional information about detecting propane leaks. Leak check new connections or reconnections with a soap and water solution and follow all connection instructions herein. Also, ask your propane dealer for advice on the propane application and supply installation and ask him to check it if there are any questions.

This heater was designed and certified for use as a construction heater in accordance with ANSI Standard Z83.7/CGA 2.14. Check with your local fire safety authority if you have any questions about your applications. Other standards govern the use of fuel gases and heat producing products in specific applications. Your local authority can advise you about these.

Direct-Fired means that all of the combustion products enter the heated space. Even though this heater operates very close to 100 percent combustion efficiency, it still produces small amounts of carbon monoxide. Carbon monoxide (called CO) is toxic. We can tolerate small amounts but not a lot. CO can build up in a heated space and failure to provide adequate ventilation could result in death.

The symptoms of inadequate ventilation are:

- headache
- dizziness
- burning eyes and nose
- nausea
- dry mouth or sore throat

So, be sure to follow advice about ventilation in these operating instructions.

Forced Air means that a blower or fan pushes the air through the heater. Proper combustion depends upon this air flow; therefore, the heater must not be revised, modified or operated with parts removed or missing. Likewise, safety systems must not be circumvented or modified in order to operate the heater.

When the heater is to be operated in the presence of other people the user is responsible for properly acquainting those present with the safety precautions and instructions, and of the hazards involved.

Figure 1: VENTILATION: Minimum openings required

Heater	Opening near floor	Opening near ceiling
Forced air (MH170QFAVT)	3 ft ²	3 ft ²

SAFETY PRECAUTIONS

1. Check the heater thoroughly for damage. DO NOT operate a damaged heater.
2. DO NOT modify the heater or operate a heater which has been modified from its original condition.
3. Use only propane gas.
4. Use only VAPOR WITHDRAWAL propane supply. If there is any question about vapor withdrawal, ask your propane dealer.
5. Mount the propane cylinders vertically (shutoff valve up). Secure them from falling or being knocked over and protect them from damage.
6. Locate propane containers at least (USA) 7 ft. (2.13m), (Canada) 10 ft. (3m) from the heater and **do not** direct exhaust toward containers.
7. **IMPORTANT** Use only the hose and regulator assembly provided with the heater. Match the color stripe on the hang tag attached to the hose assembly with the color on the label located near the propane inlet fitting on the heater. Inspect hose assembly before each use of the heater. If there is excessive abrasion or wear, or hose is cut, replace with hose assembly listed on parts list before using heater.
8. For indoor use only. Area must be well ventilated. **Figure 1.** (also see "Operating Precautions").
9. If at any time gas odor is detected, IMMEDIATELY DISCONTINUE operation until the source of gas has been located and corrected. Read enclosed Odor fade and Propane Sheet for additional information about detecting propane leaks.
10. Install the heater such that it is not directly exposed to water spray, rain and/or dripping water.
11. Maintain minimum clearance from normal combustible material (like paper). **Figure 2.**
12. Due to the high surface and exhaust temperatures, adults and children must observe clearances to avoid burns or clothing ignition.
13. Operate only on a stable, level surface.
14. Do not use with duct work. Do not restrict inlet or exit.
15. Use only the electrical power specified. The electrical connection and grounding must comply with National Electrical Code - ANSI/NFPA 70 (USA) and CGA C22.1 Canadian Electrical Code, Part 1 (Canada).
16. Use only a properly grounded 3-prong receptacle or extension cord.
17. Do not move, handle or service while hot or burning.
18. Do not adjust the heater combustion tube elevation while heater is running or hot. Adjustments to elevation should only be made after the heater has cooled to touch.
19. Use only in accordance with local codes or, in the absence of local codes, with the Standard for the Storage and Handling of Liquefied Petroleum Gases ANSI/NFPA 58 and CGA B149.1, Natural Gas and Propane Installation Code.

Figure 2: MINIMUM CLEARANCE: From normal combustible materials

Clearance	Forced Air 170QFAVT
From floor	0 ft
From outlet.....	6 ft
From sides	2 ft
From top	3 ft

Locate 10 ft. from canvas or plastic tarpaulins or similar coverings and secure them to prevent flapping or movement due to wind action.

ODOR FADE WARNING

WARNING

Asphyxiation Hazard

- Do not use this heater for heating human living quarters.
- Do not use in unventilated areas.
- The flow of combustion and ventilation air must not be obstructed.
- Proper ventilation air must be provided to support the combustion air requirements of the heater being used.
- Refer to the specification section of the heater's manual, heater data plate, or contact the Factory to determine combustion air ventilation requirements of the heater.
- Lack of proper ventilation air will lead to improper combustion.
- Improper combustion can lead to carbon monoxide poisoning leading to serious injury or death. Symptom of carbon monoxide poisoning can include headaches dizziness and difficulty in breathing.

FUEL GAS ODOR

LP gas and natural gas have man-made odorants added specifically for detection of fuel gas leaks.

If a gas leak occurs you should be able to smell the fuel gas. Since Propane (LP) is heavier than air you should smell for the gas odor low to the floor. ANY GAS ODOR IS YOUR SIGNAL TO GO INTO IMMEDIATE ACTION!

- Do not take any action that could ignite the fuel gas. Do not operate any electrical switches. Do not pull any power supply or extension cords. Do not light matches or any other source of flame. Do not use your telephone.
- Get everyone out of the building and away from the area immediately.
- Close all propane (LP) gas tank or cylinder fuel supply valves, or the main fuel supply valve located at the meter if you use natural gas.
- Propane (LP) gas is heavier than air and may settle in low areas. When you have reason to suspect a propane leak, keep out of all low areas.
- Use your neighbor's phone and call your fuel gas supplier and your fire department. Do not re-enter the building or area.
- Stay out of the building and away from the area until declared safe by the firefighters and your fuel gas supplier.
- FINALLY, let the fuel gas service person and the firefighters check for escaped gas. Have them air out the building and area before you return. Properly trained service people must repair any leaks, check for further leakages, and then relight the appliance for you.

ODOR FADING - NO ODOR DETECTED

- Some people cannot smell well. Some people cannot smell the odor of the man-made chemical added to propane (LP) or natural gas. You must determine if you can smell the odorant in these fuel gases.
- Learn to recognize the odor of propane (LP) gas and natural gas. Local propane (LP) gas dealers will be more than happy to give you a scratch and sniff pamphlet. Use it to become familiar with the fuel gas odor.
- Smoking can decrease your ability to smell. Being around an odor for a period of time can affect your sensitivity to that particular odor. Odors present in animal confinement buildings can mask fuel gas odor.

- **The odorant in propane (LP) gas and natural gas is colorless and the intensity of its odor can fade under some circumstances.**
- If there is an underground leak, the movement of gas through the soil can filter the odorant.
- Propane (LP) gas odor may differ in intensity at different levels. Since Propane (LP) gas is heavier than air, there may be more odor at lower levels.
- **Always be sensitive to the slightest gas odor.** If you continue to detect any gas odor, no matter how small, treat it as a serious leak. Immediately go into action as discussed previously.

ATTENTION - CRITICAL POINTS TO REMEMBER!

- **Propane (LP) gas has a distinctive odor. Learn to recognize these odors. (Reference Fuel Gas Odor and Odor Fading sections above.**
- Even If you are not properly trained in the service and repair of the heater, ALWAYS be consciously aware of the odors of propane (LP) gas and natural gas.
- If you have not been properly trained in repair and service of propane (LP) gas then do not attempt to light heater, perform service or repairs, or make any adjustments to the heater on the propane (LP) gas fuel system.
- A periodic sniff test around the heater or at the heater's joints; i.e. hose, connections, etc., is a good safety practice under any conditions. If you smell even a small amount of gas, CONTACT YOUR FUEL GAS SUPPLIER IMMEDIATELY. DO NOT WAIT!

Heater Elevation Adjustment

This heater is equipped with an elevation adjustment panel located at the exhaust end of the control box.

1. Do not adjust the heater combustion tube elevation while heater is running or hot. Adjustments to elevation should only be made after the heater has cooled to touch.
2. To adjust the heater combustion tube elevation, turn the adjustment screw knob counterclockwise and lift the combustion tube to desired position.

OPERATING INSTRUCTIONS

PREPARING FOR OPERATION

1. Check the heater for possible shipping damage. If any is found, *immediately* notify the factory.
2. Follow all of the "Precautions".
3. Connect the POL fitting of hose and regulator assembly to the propane cylinder by rotating the POL nut counterclockwise into the propane cylinder's valve outlet and securely tighten with a wrench.
4. Connect the hose to the heater by rotating the hose fitting clockwise.
5. Securely tighten all gas connections.
6. Open the cylinder's gas valve and check all gas connections with a soap and water solution. **DO NOT USE A FLAME.**
7. Connect power cord to well-grounded 115V, 60 Hz, 1Ø source of power.
8. When using an extension cord, make certain that it is a 3-wire (grounded) cord of proper wire size.

170QFAVT (WITH THERMOSTAT)

START

1. Slowly open the main valve at propane cylinder to prevent excess flow check valve from closing.
2. Set thermostat to full on. Heater will ignite automatically.
3. Adjust ball valve on control panel to desired burn rate.
4. Set thermostat to desired temperature. Heater will turn off and on automatically as the temperature varies in the heater area.

STOP

1. Securely close valve on the propane cylinder.
2. Continue to operate heater until all fuel in the hose has burned.
3. Unplug the heater from electrical supply.

CAUTION: Failure to unplug the unit may result in unexpected operation.

RESTART AFTER SAFETY SHUTDOWN

1. Securely close valve at propane cylinder. Unplug heater.
2. Wait 5 minutes.
3. Restart following "Start" procedure.

MAINTENANCE AND STORAGE

1. The heater should be inspected before each use, and at least annually by a qualified person.
2. Before each use, check the soft "O" ring seat at the bullnose of the POL fitting. If the "O" ring is cut, scuffed, or otherwise damaged, replace it with part number F273786.
3. Turn off the gas at the LP-gas supply cylinder(s) when the heater is not in use.
4. When the heater is to be stored indoors, the connection between the LP-gas supply cylinder(s) and the heater must be disconnected and the cylinder(s) removed from the heater and stored out of doors and in accordance with Chapter 5 of the standard for Storage and Handling of Liquefied Petroleum Gases ANSI/NFPA 58 and CSA B149.1, Natural Gas and Propane Installation Code.

SERVICING

A hazardous condition may result if a heater is used that has been modified or is not functioning properly.

When the heater is working properly:

- The flame is contained within the heater.
- The flame is essentially blue with perhaps some yellow tipping.
- There is no strong disagreeable odor, eye burning or other physical discomfort.
- There is no smoke or soot internal or external to the heater.
- There are no unplanned or unexplained shut downs of the heater.

The parts lists and wiring diagram show the heater as it was constructed. Do not use a heater which is different from that shown. In this regard, use only the hose, regulator and cylinder connection fitting (called a POL fitting) supplied with the heater. **IMPORTANT** Match the color stripe on the hangtag attached to the hose assembly with the color on the label located near the propane inlet fitting on the heater. Do not use alternates. For this heater, the regulator must be set as shown in "specifications". If there is any uncertainty about the regulator setting, have it checked.

A heater which is *not* working right must be repaired, but *only* by a trained, experienced service person.

In-warranty products will be repaired with no charge for either parts or labor. Please include a brief statement indicating date, place of purchase, the nature of the problem and proof of purchase.

Out-of-warranty products will be repaired with a charge for parts and labor.

NEVER LEAVE THE HEATER UNATTENDED WHILE BURNING!

⚠WARNING

Air Quality Hazard

- Do not use this heater for heating human living quarters.
- Use of direct-fired heaters in the construction environment can result in exposure to levels of CO, CO₂, and NO₂ considered to be hazardous to health and potentially life threatening.
- Do not use in unventilated areas.
- Know the signs of CO and CO₂ poisoning.
 - Headaches, stinging eyes
 - Dizziness, disorientation
 - Difficulty breathing, feels of being suffocated
- Proper ventilation air exchange (OSHA 29 CFR 1926.57) to support combustion and maintain acceptable air quality shall be provided in accordance with OSHA 29 CFR Part 1926.154, ANSI A10.10 Safety Requirements for Temporary and Portable Space Heating Devices and Equipment used in the Construction Industry or the Natural Gas and Propane Installation Codes CSA B149.1.
 - Periodically monitor levels of CO, CO₂ and NO₂ existing at the construction site – at the minimum at the start of the shift and after 4 hours.
 - Provide ventilation air exchange, either natural or mechanical, as required to maintain acceptable indoor air quality.

	USA 8-Hr Time weighted average (OSHA 29 CFR 1926.55 App A)	Canada 8-hr time weighted average WorkSafe BC OHS Guidelines Part 5.1 and Ontario Workplaces Reg 833
CO	50 ppm	25 ppm
CO ₂	5000 ppm	5000 ppm
NO ₂		3 ppm (Reg 833)
	USA – Ceiling Limit (Short Term Exposure Limit = 15 minutes)	Canada STEL (15 minutes Reg 833/1 hour WSBC) WorkSafe BC OHS Guidelines Part 5.1 and Ontario Workplaces Reg 833
CO		100 ppm
CO ₂		15000 ppm (WSBC) 30000 ppm (Reg 833)
NO ₂	5 ppm	1.0 ppm (WorkSafeBC) 5.0 ppm (Reg 833)

- Ensure that the flow of combustion and ventilation air exchange cannot become obstructed.
- As the building 'tightens up' during the construction phases ventilation may need to be increased.

Installation of this appliance at altitudes above 2000 ft (610 m) shall be in accordance with local codes, or in the absence of local codes, the National Fuel Gas Code, ANSI Z223.1/NFPA 54, or National Standard of Canada, Natural Gas and Propane Installation Code, CSA B149.1

The heater has been shipped from the factory set up for operation on propane gas.

NEVER LEAVE THE HEATER UNATTENDED WHILE BURNING!



OPERATING INSTRUCTIONS AND OWNER'S MANUAL

Model #

MH170QFAVT

READ INSTRUCTIONS CAREFULLY: Read and follow all instructions. Place instructions in a safe place for future reference. Do not allow anyone who has not read these instructions to assemble, light, adjust or operate the heater.



WARNING:

USE ONLY MANUFACTURER'S REPLACEMENT PARTS. USE OF ANY OTHER PARTS COULD CAUSE INJURY OR DEATH. REPLACEMENT PARTS ARE ONLY AVAILABLE DIRECT FROM THE FACTORY AND MUST BE INSTALLED BY A QUALIFIED SERVICE AGENCY.

PARTS ORDERING INFORMATION:

PURCHASING: Accessories may be purchased at any Mr. Heater local dealer or direct from the factory

FOR INFORMATION REGARDING SERVICE

Please call Toll-Free 800-251-0001
www.mrheater.com

Our office hours are 8:00 AM – 5:00 PM, EST, Monday through Friday.

Please include the model number, date of purchase, and description of problem in all communication.

LIMITED WARRANTY

Mr. Heater, Inc. warrants its heaters and accessories to be free from defects in material and workmanship for a period of 1 year from date of purchase. Mr. Heater, Inc. will repair or replace this product free of charge if it has been proven to be defective within the 1-year period, and is returned at customer expense with proof of purchase to Mr. Heater, Inc. within the warranty period.

Some states do not allow the exclusion or limitation of incidental or consequential damages, so the above limitation or exclusion may not apply to you. This Warranty gives you specific legal rights, and you may have other rights which vary from state to state.

Mr. Heater, Inc. reserves the right to make changes at any time, without notice or obligation, in colors, specifications, accessories, materials and models.

PRODUCT REGISTRATION: Thank you for your purchase.
Please log in to <http://www.egiregistration.com> to register your product.

Mr. Heater GROUP, INC., 4560 W. 160TH ST., CLEVELAND, OHIO 44135 • 800-251-0001
Mr. Heater is a registered trademarks of Mr. Heater Group, Inc.
© 2019, Mr. Heater Group, Inc. All rights reserved



GUIDE D'UTILISATION ET MANUEL DU PROPRIÉTAIRE



**APPAREIL DE CHAUFFAGE AU PROPANE À AIR
PULSÉ POUR CHANTIER DE CONSTRUCTION**
Doté NOUVELLE TECHNOLOGIE DE BRÛLEUR CALME

Modèle #

MH170QFAVT

LISEZ SOIGNEUSEMENT LES INSTRUCTIONS : Lisez et observez toutes les instructions. Conservez ces instructions dans un endroit sécuritaire pour vous y référer ultérieurement. Ne permettez pas à quiconque n'ayant pas lu les présentes instructions d'assembler, d'allumer, de régler ou de faire fonctionner l'appareil.



⚠ AVERTISSEMENT : Le non-respect des instructions, telles qu'indiquées dans le présent guide, risque de causer une explosion ou un incendie entraînant des dommages matériels ou des blessures graves, voire mortelles.

- N'entrez ni n'utilisez d'essence ou autres liquides ou vapeurs inflammables à proximité de ce type d'appareil.
- Aucune bonbonne de propane liquéfié non raccordée pour utilisation ne doit se trouver à proximité de cet appareil, ni d'aucun autre appareil.
- EN PRÉSENCE D'UNE ODEUR DE GAZ
 - Ne tentez pas d'allumer l'appareil de chauffage.
 - Éteignez toute flamme nue.
 - Fermez l'alimentation en gaz à l'appareil.
- L'entretien doit être effectué par un fournisseur de services d'entretien qualifié.

Cet appareil de chauffage portatif alimenté au gaz n'est pas ventilé. Il utilise l'oxygène de l'air ambiant. Une circulation d'air adéquate doit être assurée pour la combustion et la ventilation. Voir page 3.

⚠️ AVERTISSEMENT :

VOTRE SÉCURITÉ EST IMPORTANTE POUR VOUS ET POUR LES AUTRES, PAR CONSÉQUENT VEUILLEZ LIRE CES DIRECTIVES AVANT DE FAIRE FONCTIONNER CET APPAREIL DE CHAUFFAGE.

⚠️ AVERTISSEMENT GÉNÉRAL DE DANGER :

LE NON-RESPECT DES MESURES DE PRÉVENTION ET DES INSTRUCTIONS FOURNIES AVEC CET APPAREIL DE CHAUFFAGE RISQUE DE CAUSER LA MORT, DES BLESSURES GRAVES ET DES DOMMAGES OU DES PERTES MATÉRIELLES RÉSULTANT D'INCENDIE, D'EXPLOSION, DE BRÛLURE, D'ASPHYXIE, D'INTOXICATION AU MONOXYDE DE CARBONE ET/OU D'ÉLECTROCUTION. SEULES LES PERSONNES APTES À COMPRENDRE ET À RESPECTER LES INSTRUCTIONS DEVRAIENT UTILISER OU EFFECTUER LE SERVICE DE CET APPAREIL DE CHAUFFAGE. SI VOUS AVEZ BESOIN D'AIDE OU D'INFORMATION CONCERNANT L'APPAREIL DE CHAUFFAGE TELS QUE MANUEL D'INSTRUCTIONS, ÉTIQUETTES, ETC., VEUILLEZ COMMUNIQUER AVEC LE FABRICANT.

⚠️ AVERTISSEMENT :

EL MONOXIDO DE CARBONO PUEDE MATARLO
NO PARA USO DE VEHÍCULOS CASEROS O RECREATIVOS, USANDO UN CALENTADOR PORTÁTIL EN UN ÁREA CERCANA PUEDE PRODUCIR MONÓXIDO DE CARBONO MORTAL.

⚠️ AVERTISSEMENT :

DANGER D'INCENDIE, D'INHALATION ET D'EXPLOSION. GARDEZ LES COMBUSTIBLES SOLIDES TELS QUE LES MATÉRIAUX DE CONSTRUCTION LE PAPIER ET LE CARTON À UNE DISTANCE SÉCURITAIRE DE L'APPAREIL DE CHAUFFAGE TEL QUE RECOMMANDÉ DANS LES INSTRUCTIONS. N'UTILISEZ JAMAIS L'APPAREIL DE CHAUFFAGE DANS UN ENDROIT QUI CONTIENT OU RISQUE DE CONTENIR DES COMBUSTIBLES VOLATILES OU EN SUSPENSION DANS L'AIR, OU DES PRODUITS TELS QUE DE L'ESSENCE, DES SOLVANTS, DU DILUANT À PEINTURE, DES PARTICULES DE POUSSIÈRE OU DES PRODUITS CHIMIQUES INCONNUS.

⚠️ AVERTISSEMENT: Les carburants utilisés dans les appareils à des produits chimiques, notamment le benzène, connu en Californie pour causer le cancer et causer des malformations congénitales ou d'autres problèmes de reproduction. www.P65Warnings.ca.gov

⚠️ AVERTISSEMENT: CE PRODUIT PEUT VOUS EXPOSER À PLOMB ET COMPOSÉS DE PLOMB, IDENTIFIÉ PAR L'ÉTAT DE CALIFORNIE COMME POUVANT CAUSER LE CANCER. LAVEZ-VOUS LES MAINS APRÈS AVOIR MANIPULÉ CE PRODUIT. POUR DE PLUS AMPLES INFORMATIONS, PRIÈRE DE CONSULTER WWW.P65WARNINGS.CA.GOV.

TABLE DES MATIÈRES

Spécifications..... 2

Précautions liées au fonctionnement 3

Précautions liées à la sécurité 3

Avertissement relatif aux substances odorantes 4

Instructions de fonctionnement 5

Entreposage et entretien 5

Instructions d'allumage 5

Schéma de câblage (Modèle n° 170 QFAVT) 6

Liste des pièces (Modèle n° 170 QFAVT)..... 7

Plan détaillé (Modèle n° 170 QFAVT)..... 7

Schéma de câblage (Modèle n° Q170 FAV)..... 8

SPÉCIFICATIONS

MODÈLE #170QFAVT

TYPE DE GAZPropane

COTE BTUDe 125 000 à 170 000 BTU/h (de 36,6 à 49,8 kW)

PRESSION DE L'ALIMENTATION EN GAZ AU RÉGULATEUR
Maximum : Pression de la bonbonne
Minimum : 137.9 kPa (20 psig)

À LA SORTIE DU RÉGULATEUR 137.9 kPa (20 psig)

CONSOMMATION ÉLECTRIQUE 115 V, 60 Hz, 1 Ø, 3 A

ALLUMAGEPar étincelle, type interrompu

COMMANDE DE LA FLAMME Transistorisée, temporisation De 10 à 15 secondes

COMMANDE DE TEMPÉRATURE MAXIMALE116 °C (240 °F)
Température ambiante min. évaluée à : -17,8 °C (0 °F)

CONSOMMATION DE GAZ De 2,6 à 3,6 kg/h (de 5,8 à 7,9 lb/h)

NOMBRE D'ORIFICES DE COMBUSTIBLE : 18

SORTIE D'AIR CHAUFFÉ : 12,74 M³/MIN. (450 PI³/MIN.)

PRÉCAUTIONS LIÉES AU FONCTIONNEMENT

Cet appareil de chauffage à air pulsé et à feu direct fonctionne au gaz propane. Il est destiné principalement à chauffer temporairement des édifices en construction, en rénovation ou en réparation.

Le gaz propane est plus lourd que l'air. Si du gaz propane fuit d'une connexion ou d'un raccord, il se dirige vers le plancher, se mélange avec l'air ambiant et forme un mélange potentiellement explosif. Évidemment, les fuites de gaz propane devraient être évitées ; il est donc important de raccorder l'alimentation en propane avec le plus grand soin. Veuillez lire le feuillet « Substance odorante et gaz propane » ci-joint pour obtenir plus de précisions relatives à la détection des fuites de gaz propane. Vérifiez la présence de fuite aux nouvelles connexions et raccords en utilisant un mélange d'eau et de savon et suivez les instructions mentionnées. Obtenez également les conseils de votre détaillant quant à votre installation au propane et posez-lui toute question que vous auriez à cet égard.

Cet appareil a été conçu et homologué pour être utilisé comme appareil de chauffage pour chantier de construction, conformément à la norme ANSI Z83.7/CGA 2.14. Soumettez à l'organisme local responsable de la sécurité et des incendies toute question relative à votre type d'installation. Selon le type d'application, d'autres normes peuvent s'appliquer et régir l'utilisation des produits de combustion, de gaz combustible et des appareils de chauffage. L'organisme local qui en est responsable saura vous conseiller à cet égard.

Le fonctionnement à feu direct de cet appareil signifie que tous les produits de combustion se retrouvent dans l'air ambiant. Même si l'efficacité de combustion de l'appareil de chauffage est presque complète, il produit quand même de petites quantités de monoxyde de carbone. Le monoxyde de carbone (appelé CO) est toxique. Notre organisme ne peut en supporter que de faibles quantités. Il est possible que le CO s'accumule dans le local à chauffer. Une ventilation inadéquate pourrait ainsi causer la mort.

Les symptômes ressentis en cas de ventilation inadéquate sont les suivants :

- mal de tête
- étourdissement
- sensation de brûlure au nez et aux yeux
- nausée
- mal de gorge ou bouche sèche

Assurez-vous donc de respecter les conseils au sujet de la ventilation mentionnés dans ces instructions.

Un appareil à air pulsé signifie que l'air est soufflé dans l'appareil de chauffage par un ventilateur. La qualité de la combustion dépend du débit d'air. Par conséquent, l'appareil de chauffage ne doit pas être modifié ni fonctionner si des pièces sont manquantes. Dans le même ordre d'idée, les systèmes de sécurité ne doivent pas être contournés ni modifiés pour faire fonctionner l'appareil.

Lorsque l'appareil de chauffage doit fonctionner en présence d'autres personnes, l'utilisateur est responsable d'informer ces dernières des instructions et précautions liées à la sécurité et de les avertir des dangers inhérents.

Figure 1

VENTILATION : Ouvertures minimales requises

	Ouverture près du plancher	Ouverture près du plafond
Appareil de chauffage		
Air pulsé (170 QFAVT)	3 pi ² (3 ft ²)	3 pi ² (3 ft ²)

PRÉCAUTIONS LIÉES À LA SÉCURITÉ

1. Vérifiez attentivement si l'appareil de chauffage a subi des dommages. NE FAITES PAS fonctionner un appareil endommagé.
2. NE MODIFIEZ PAS l'appareil de chauffage et ne le faites pas fonctionner s'il n'est plus dans son état original.
3. Utilisez uniquement du gaz propane.
4. Utilisez uniquement une alimentation au propane à ÉLIMINATION DES ÉMANATIONS. Si vous avez des questions à propos de l'élimination des émanations, consultez votre détaillant de gaz propane.
5. Installez les bonbonnes de propane verticalement (robinet de fermeture vers le haut). Fixez-les comme il convient de sorte qu'ils ne puissent se décrocher accidentellement et protégez-les contre les dommages.
6. Placez les réservoirs de gaz propane à une distance minimale (aux États-Unis) de 2,13 m (7 pi) ou (au Canada) de 3 m (10 pi) de l'appareil de chauffage et **n'orientez pas** l'échappement directement vers les réservoirs.
7. **IMPORTANT** : Utilisez uniquement le tuyau et le régulateur fourni avec l'appareil. Faites correspondre la bande de couleur de l'étiquette fixée au tuyau à la couleur de l'étiquette située près du raccord d'entrée de gaz propane sur l'appareil. Inspectez le tuyau avant chaque utilisation de l'appareil de chauffage. En cas d'abrasion, d'usure excessive ou de coupure, remplacez le tuyau par l'ensemble de tuyaux recommandé avant d'utiliser l'appareil de chauffage.
8. Pour utilisation intérieure seulement. La ventilation doit être adéquate. **Figure 1.** (voir également « Précautions liées au fonctionnement »).
9. Si une odeur de gaz est détectée, ARRÊTEZ IMMÉDIATEMENT l'appareil de chauffage jusqu'à ce que la source d'émission du gaz ait été localisée et colmatée. Veuillez lire le feuillet « Substance odorante et gaz propane » ci-joint pour obtenir plus de précisions relatives à la détection des fuites de gaz propane.
10. Installez l'appareil de chauffage de façon à ce qu'il ne soit pas exposé à l'eau.
11. Conservez un écart minimal entre l'appareil et tout matériel combustible (tel que du papier). **Figure 2.**
12. En raison des températures élevées de la surface et de l'échappement, les adultes et les enfants doivent respecter les distances de sécurité pour éviter des brûlures et l'inflammation des vêtements.
13. Utilisez uniquement sur des surfaces stables et de niveau.
14. N'utilisez pas l'appareil avec des conduits d'air. N'obstruez pas l'entrée et la sortie d'air.
15. N'utilisez qu'avec l'alimentation électrique spécifiée. Le raccordement électrique et la mise à la terre doivent être conformes au Code national de l'électricité - ANSI/NFPA 70 (aux États-Unis) - et à la norme CGA C22.1, partie 1 du Code canadien de l'électricité (au Canada).
16. N'utilisez qu'avec une prise ou une rallonge mise à la terre munie de trois broches.
17. Ne déplacez pas l'appareil, ne le touchez pas et n'essayez pas d'en faire l'entretien alors qu'il est chaud.
18. Vous ne devez jamais ajuster la hauteur du tube de combustion de l'appareil de chauffage lorsque l'appareil est chaud ou fonctionne. Les réglages de hauteur doivent être faits uniquement lorsque l'appareil n'est pas chaud au toucher.
19. Utilisez l'appareil en observant les codes de sécurité en vigueur localement ou référez-vous aux normes relatives à l'entreposage et à la manutention des produits de pétrole liquéfiés ANSI/NFPA 58 et CGA B149.1 du Code d'installation du gaz naturel et du gaz propane.

Figure 2

ÉCART MINIMUM : entre l'appareil et tout matériel combustible.

Écart	Air pulsé 170QFAVT
Du plancher	0 pi (0 ft)
De la sortie	6 pi (6 ft)
Des côtés	2 pi (2 ft)
Du dessus	3 pi (3 ft)

Placez l'appareil à 3 m (10 pi) des toiles en tissu ou en plastique ou des revêtements similaires et fixez-les afin d'empêcher tout battement ou mouvement causé par le vent.

AVERTISSEMENT RELATIF AUX SUBSTANCES ODORANTES**AVERTISSEMENT****Risque d'asphyxie**

- Cet appareil ne doit pas être utilisé pour le chauffage de locaux où demeurent des gens.
- Ne l'utilisez pas dans des endroits non aérés.
- Le débit de chaleur et d'air de ventilation ne doit pas être obstrué.
- Le processus de combustion de cet appareil exige un apport adéquat en air de ventilation.
- Consultez la rubrique portant sur les spécifications techniques dans le manuel de l'appareil ou sur la plaque de données de l'appareil, ou communiquez avec le fabricant pour obtenir les renseignements relatifs aux exigences en apport d'air de ventilation pour la combustion.
- Le processus de combustion ne peut s'effectuer correctement si l'apport en air de ventilation est insuffisant.
- Une combustion inadéquate produit des émanations nocives de monoxyde de carbone pouvant entraîner des troubles de santé graves, voire mortels. Les symptômes d'empoisonnement au monoxyde de carbone sont les maux de tête, les étourdissements et la difficulté respiratoire.

ODEUR DU GAZ COMBUSTIBLE

Des additifs odorants ont été ajoutés au gaz propane liquéfié et au gaz naturel dans le but de faciliter la détection de fuites. Vous devriez remarquer une odeur de gaz combustible s'il y a une fuite. Comme le gaz propane (liquéfié) est plus lourd que l'air, l'odeur de gaz se détecte plus facilement près du sol. TOUTE ODEUR DE GAZ EST UN SIGNAL OU'IL FAUT INTERVENIR IMMÉDIATEMENT !

- Ne prenez aucune mesure qui provoquerait l'allumage des vapeurs de gaz. N'utilisez aucun interrupteur électrique. Ne tirez sur aucune source d'alimentation électrique ou rallonge électrique. N'allumez pas d'allumettes ni aucune source de flamme. N'utilisez pas votre téléphone.
- Faites évacuer immédiatement toute personne se trouvant dans l'immeuble.
- Fermez tous les robinets d'alimentation du réservoir de gaz propane (liquéfié) ou de la bonbonne, ainsi que le robinet d'alimentation principale situé sur le compteur, si vous utilisez du gaz naturel.
- Le gaz propane (liquéfié) est plus lourd que l'air et peut s'accumuler dans les endroits près du sol. Si vous croyez qu'il y a une fuite de gaz propane, éloignez-vous des endroits plus bas.
- Utilisez le téléphone d'un voisin et communiquez avec votre fournisseur en gaz combustible et votre service d'incendies. Ne retournez pas dans l'immeuble ou dans le secteur.
- N'entrez pas dans l'immeuble et restez-en à l'écart jusqu'à ce que le personnel du service des incendies ou le fournisseur en gaz combustible ait confirmé que l'endroit ne comporte aucun risque.
- EN DERNIER LIEU, laissez le personnel du service des incendies ou d'approvisionnement en gaz combustible vérifier si du gaz s'échappe. Assurez-vous qu'ils aient aéré l'immeuble avant d'y retourner. Le personnel d'entretien expérimenté doit colmater toute fuite, vérifier la présence d'autres fuites, puis se charger d'allumer l'appareil pour vous.

SUBSTANCE ODORANTE AUCUNE ODEUR DÉCELÉE

- Certaines personnes ne détectent pas bien les odeurs. Il est donc possible que certaines personnes ne puissent sentir la substance odorante ajoutée au gaz propane (liquéfié) ou au gaz naturel. Vous devez savoir si vous arrivez à déceler l'odeur de cette substance dans le gaz combustible.
- Apprenez à reconnaître l'odeur du gaz propane et celle du gaz naturel. Pour ce faire, les détaillants de gaz propane (liquéfié) locaux seront heureux de vous fournir un feuillet comprenant une pastille à humer. Servez-vous de cette pastille pour vous aider à reconnaître l'odeur de gaz combustible.

- Le tabagisme peut nuire à votre faculté olfactive. Votre capacité à déceler une odeur quelconque peut s'estomper si vous demeurez un certain temps dans un endroit où cette odeur est présente. La présence d'animaux dans des endroits clos peut aussi masquer l'odeur du gaz combustible.
- **La substance odorante contenue dans le gaz propane (liquéfié) et le gaz naturel est incolore et, selon certaines circonstances, son odeur pourrait s'estomper.**
- En cas de fuite souterraine, le déplacement du gaz dans le sol peut filtrer l'odeur.
- L'intensité de l'odeur du gaz propane (liquéfié) peut varier à différents niveaux. Étant donné que le gaz propane (liquéfié) est plus lourd que l'air, l'odeur peut être plus prononcée à des niveaux inférieurs.
- **Portez toujours attention à la moindre odeur de gaz.** Si une odeur de gaz persiste, même si elle est minime, agissez comme s'il s'agissait d'une fuite importante. Intervenez immédiatement tel que décrit précédemment.

ATTENTION - POINTS ESSENTIELS À RETENIR !

- Le gaz propane (liquéfié) dégage une odeur particulière. Apprenez à reconnaître cette odeur. Consultez les rubriques Odeur du gaz combustible et Substance odorante, ci-dessus.
- Même si vous n'avez pas été formé pour effectuer l'entretien et la réparation de l'appareil, soyez TOUJOURS attentif aux odeurs que dégagent le gaz propane (liquéfié) et le gaz naturel.
- Si vous n'êtes pas formé pour procéder à l'entretien et à la réparation des appareils au gaz propane (liquéfié), ne tentez pas d'allumer l'appareil, de le réparer ou de l'entretenir, ni d'apporter des réglages au système d'alimentation en gaz propane de l'appareil.
- Peu importe les conditions, une bonne pratique de sécurité consiste à sentir de temps à autre autour de l'appareil, des raccords, du tuyau et autres éléments. Si vous décelez la moindre odeur de gaz, COMMUNIQUEZ IMMÉDIATEMENT AVEC VOTRE FOURNISSEUR EN GAZ COMBUSTIBLE. N'ATTENDEZ PAS !

Réglage en hauteur de l'appareil de chauffage

Cet appareil est équipé d'un panneau de réglage en hauteur situé à l'extrémité de l'échappement du boîtier de contrôle.

1. Ne pas régler la hauteur du tube de combustion de l'appareil de chauffage quand l'appareil est en marche ou est encore chaud. Les réglages de hauteur ne doit être faits qu'après que le chauffage soit froid au toucher.
2. Pour régler la hauteur du tube de combustion de l'appareil de chauffage, tournez le bouton de la vis de réglage dans le sens anti-horaire et soulevez le tube de combustion à la position désirée.

INSTRUCTIONS DE FONCTIONNEMENT AVANT LE FONCTIONNEMENT

1. Vérifiez soigneusement tout dommage qu'aurait pu subir l'appareil de chauffage pendant l'expédition. Si vous en découvrez, avertissez immédiatement le fabricant.
2. Respectez toutes les « Précautions ».
3. Branchez le raccord POL (filet à gauche) du tuyau et du régulateur en tournant l'écrou POL en sens anti-horaire dans la sortie du robinet de la bonbonne de gaz propane, puis serrez-le avec une clé.
4. Raccordez le tuyau à l'appareil de chauffage en tournant le raccord dans le sens des aiguilles d'une montre.
5. Serrez fermement toutes les connexions de gaz.
6. Ouvrez le robinet de gaz de la bonbonne et vérifiez toutes les connexions au moyen d'un mélange d'eau et de savon. **N'UTILISEZ PAS DE FLAMME.**
7. Raccordez le cordon d'alimentation à une source d'alimentation électrique de 115 V, 60 Hz, 1 Ø, mise à la terre comme il se doit.
8. Lorsque vous utilisez une rallonge électrique, assurez-vous que celle-ci comporte trois fils (mis à la terre) de dimension appropriée.

170QFAVT (AVEC LE THERMOSTAT)

DÉMARRAGE

1. Ouvrez lentement le robinet principal de la bonbonne de propane afin de prévenir la fermeture du clapet limiteur de débit.
2. Réglez le thermostat en position maximale. L'appareil de chauffage s'allumera automatiquement.
3. Réglez le clapet à bille sur le panneau de commande au taux de combustion désiré.
4. Réglez le thermostat à la température désirée. L'appareil de chauffage se mettra en fonction et s'arrêtera automatiquement selon les variations de température dans la zone chauffée.

ARRÊT

1. Fermez le robinet sur la bonbonne de gaz propane.
2. Laissez l'appareil fonctionner jusqu'à ce que tout le gaz dans le tuyau ait brûlé.
3. Debranchez le chauffage de l'alimentation électrique.

MISE EN GARDE: Le défaut de débrancher l'appareil de l'alimentation électrique peut provoquer un fonctionnement inattendu.

REDÉMARRAGE APRÈS UN ARRÊT D'URGENCE

1. Fermez complètement le robinet sur la bonbonne de gaz propane. Débranchez l'appareil de chauffage.
2. Attendez cinq minutes.
3. Recommencez la procédure « Démarrage ».

ENTRETIEN ET ENTREPOSAGE

1. L'appareil de chauffage doit être vérifié avant chaque utilisation et au moins une fois par année, par un technicien qualifié.
2. Avant chaque utilisation, vérifiez l'assise du joint torique souple à la partie arrondie du raccord POL (filet à gauche). Si le joint torique est coupé, usé ou endommagé de quelque façon, remplacez-le par la pièce n° F273786.
3. Coupez l'alimentation en gaz propane liquéfié quand l'appareil n'est pas utilisé.
4. Quand l'appareil de chauffage est rangé à l'intérieur, la connexion entre la bonbonne d'alimentation en gaz propane liquéfié et l'appareil doit être débranchée et la bonbonne doit être retirée de l'appareil et rangée à l'extérieur, tel que précisé au chapitre 5 de la norme relative au rangement et à

la manutention des produits de pétrole liquéfiés ANSI/NFPA 58 et CSA B149.1 du Code d'installation du gaz naturel et du gaz propane.

ENTREPOSAGE

Un appareil de chauffage qui a été modifié ou qui ne fonctionne pas correctement risque d'être une cause de dangers.

- La flamme reste dans l'appareil de chauffage.
- La flamme a une teinte bleue avec des pointes de couleur jaune.
- Il n'y a pas de forte odeur désagréable, ni de sensation de brûlure aux yeux, ni de malaise physique en général.
- Il n'y a pas de production de fumée ou de suie à l'intérieur ou à l'extérieur de l'appareil de chauffage.
- Il ne se produit pas d'arrêts imprévus ou inexpliqués de l'appareil.

La liste des pièces et le schéma de câblage présentent l'appareil de chauffage tel qu'il a été construit. N'utilisez pas un appareil de chauffage qui diffère de ce qui est illustré. N'utilisez à cet effet que le tuyau flexible, le régulateur et le raccord de bonbonne (appelé raccord POL) fournie avec l'appareil de chauffage. **IMPORTANT :** Faire correspondre la bande de couleur de l'étiquette fixée au tuyau à la couleur de l'étiquette située près du raccord d'entrée de gaz propane. N'utilisez aucun élément de substitution. Sur cet appareil de chauffage, le régulateur doit être réglé tel qu'indiqué à la rubrique « Spécifications ». Si vous avez un doute au sujet du réglage du régulateur, faites-le vérifier.

Les produits couverts par la garantie seront réparés sans frais, pièces et main-d'œuvre comprises. Veuillez joindre une courte description de la nature du problème avec la date, le lieu et la preuve d'achat.

Si un appareil de chauffage *ne fonctionne pas* correctement, il doit être réparé, mais *seulement* par un technicien formé et expérimenté.

Les produits couverts par la garantie seront réparés sans frais, pièces et main-d'œuvre comprises. Veuillez joindre une courte description de la nature du problème avec la date, le lieu et la preuve d'achat.

Les produits non couverts par la garantie seront réparés aux frais (pièces et main-d'œuvre) du client.

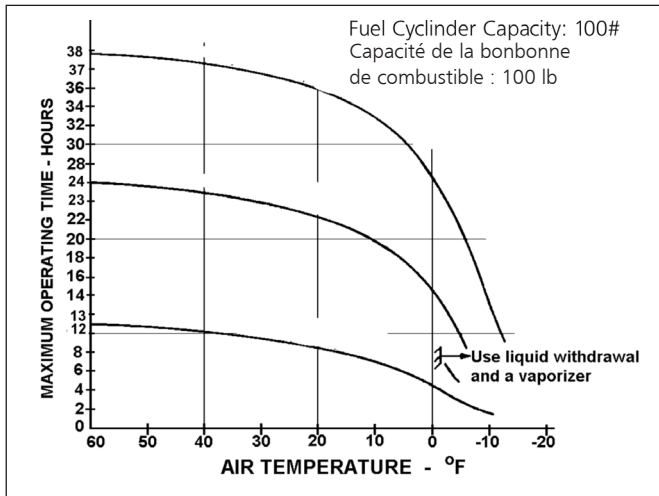
DIMENSIONS ET CONTENANCES DES BONBONNES DE GAZ PROPANE

Les tableaux ci-dessous présentent la dimension approximative de la bonbonne requise pour ces appareils de chauffage. Pour utiliser le tableau :

1. Sélectionnez la température de l'air la plus basse prévue (au bas du tableau).
2. Déplacez-vous en ligne droite vers le haut jusqu'au temps de fonctionnement souhaité (côté gauche du tableau).
3. Notez la dimension de la bonbonne requise.

Tous les appareils de chauffage doivent disposer de :

bonbonnes pleines,
d'une circulation d'air adéquate et
ne pas présenter de givre.



DE QUELLE QUANTITÉ DE CHALEUR AIS-JE BESOIN ?

Pour des raisons d'économie, il est important que le rendement corresponde aux besoins. Mais les besoins en matière de chaleur varient souvent. Par exemple, beaucoup de chaleur est habituellement requise pour réchauffer des objets que pour les conserver au chaud. Dans le même ordre d'idées, la température de l'air extérieur augmente habituellement durant la journée ; la demande en chaleur est donc plus grande durant la nuit que durant la journée. Une approximation de la chaleur requise peut être établie à l'aide du tableau ci-dessous.

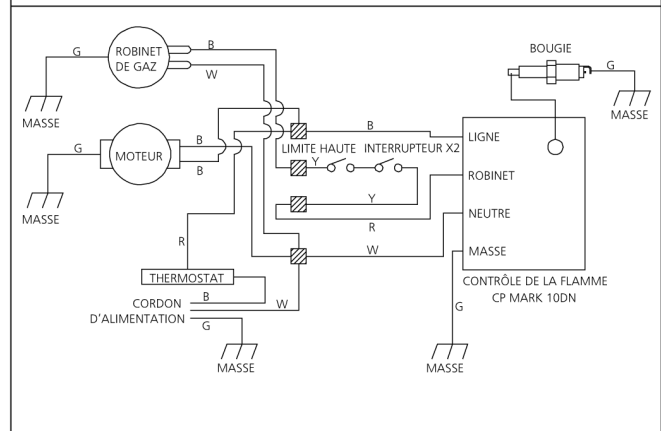
BTU PAR HEURE REQUIS				
Pieds cubes d'espace à chauffer	Élévation de température requise (°C/°F)*			
	-6,6 °C (20 °F)	1,0 °C (30 °F)	4,4 °C (40 °F)	10 °C (50 °F)
5 000	14 000	20 000	27 999	34 000
7 000	19 000	28 000	38 000	47 000
10 000	27 000	40 000	54 000	67 000
15 000	40 000	60 000	80 000	100 000
20 000	54 000	80 000	107 000	133 000
30 000	80 000	120 000	160 000	200 000
50 000	133 000	200 000	266 000	333 000

AVERTISSEMENT : Lors de l'utilisation d'un appareil de chauffage contrôlé par thermostat, sa zone d'échappement doit être protégée et des avertissements de démarrage soudain doivent être affichés à l'intention du personnel.

Calibre minimum recommandé pour rallonges

Plaque d'identification 120 V A	Tableau de calibre de câble AWG			
	25	50	100	150
5-6	18	16	14	12
6-8	18	16	12	10
8-12	18	14	12	10
10-12	16	14	10	8
12-14	16	12	10	8

SCHÉMA DE CÂBLAGE



CODE COULEUR :

- B - NOIR
- L - BLEU
- G - VERT
- O - ORANGE
- R - ROUGE
- W - BLANC
- Y - JAUNE

Si du câblage d'origine fourni avec l'appareil de chauffage doit être remplacé, il faut utiliser du câblage de type AWG 105 °C ou un équivalent, à moins d'indication contraire. (*type SF2-200, **SGI 250 °C).

170QFAVT - SCHÉMA DE CÂBLAGE

COULEUR	LONGUEUR	DE	À
Blanc	18 cm (7 po)	Robinet	Bloc de raccordement
Noir	15 cm (6 po)	Interrupteur	Bloc de raccordement
Rouge (Haute température)	42 cm (16,5 po)	Interrupteur commande max.	Robinet
Rouge (Haute température)	42 cm (16,5 po)	Interrupteur commande max.	Bloc de raccordement
Orange	28 cm (11 po)	Commande de la flamme (Allumage)	Bougie d'allumage
Vert	18 cm (7 po)	Commande de la flamme (Faisceau)	Masse
Rouge	18 cm (7 po)	Commande de la flamme (Faisceau)	Bloc de raccordement
Blanc	15 cm (6 po)	Commande de la flamme (Faisceau)	Bloc de raccordement
Noir	15 cm (6 po)	Commande de la flamme (Faisceau)	Bloc de raccordement

NE JAMAIS LAISSER LE CHAUFFAGE SANS SURVEILLANCE PENDANT LE BRÛLAGE!

⚠AVERTISSEMENT

Danger de la qualité de l'air

- N'utilisez pas cet appareil de chauffage pour le chauffage des locaux d'habitation humaine.
- L'utilisation des appareils de chauffage direct dans les environnements de construction peut vous exposer à des niveaux de CO, CO₂, et NO₂, qui sont considérés comme dangereux pour la santé et potentiellement mortels.
- Ne pas utiliser dans les zones non ventilées.
- Connaissez les signes d'empoisonnement au CO et CO₂.
 - Maux de tête, brûlure des yeux
 - Vertige, désorientation
 - Difficulté à respirer, sensation d'étouffement
- Un échange d'air de ventilation adéquat (OSHA 29 CFR 1926.57) pour supporter la combustion et maintenir une qualité de l'air acceptable est fournie selon OSHA 29 CFR partie 1926.154, ANSI A10.10 Exigences de sécurité pour les appareils et équipements de chauffage portables et temporaires utilisés dans l'industrie de la construction ou les Codes CSA pour le gaz naturel et le gaz propane CSA B149.1.
 - Surveiller périodiquement les niveaux de CO, de CO₂ et de NO₂ existants sur le site de construction – à tout le moins au début du quart de travail et après 4 heures.
 - Prévoir un échange d'air de ventilation, soit naturel ou mécanique, tel que requis pour maintenir une qualité de l'air intérieur acceptable.

	Moyenne pondérée dans le temps sur 8 heures, États-Unis (OSHA 29 CFR 1926.55 App A)	Moyenne pondérée dans le temps sur 8 heures, Canada Directives SST de WorkSafe BC partie 5.1 et Règlement sur les milieux de travail en Ontario 833
CO	50 parties par million	25 parties par million
CO ₂	5000 parties par million	5000 parties par million
NO ₂		3 parties par million (Reg 833)
	É.-U. - Limite de plafond (limite d'exposition à court terme = 15 minutes)	Directives de SST Canada STEL (15 minutes Rég. 833 / 1 heure WSBC) de WorkSafe BC partie 5.1 et Règlement sur les milieux de travail en Ontario 833
CO		100 parties par million
CO ₂		15000 parties par million (WSBC) 30000 parties par million (Reg 833)
NO ₂	5 parties par million	1.0 parties par million (WorkSafeBC) 5.0 parties par million (Reg 833)

- Assurez-vous que le débit d'échange d'air de combustion et de ventilation ne peut pas être obstrué.
- La ventilation peut devoir être augmentée à mesure que le bâtiment « durcit » lors des phases de construction.

L'installation de cet appareil à une altitude supérieure à 2000 pi (610 m) doit être conforme aux codes locaux, ou en l'absence de codes locaux, le National Fuel Gas Code, ANSI Z223.1/NFPA 54, ou la norme nationale du Canada, le Code pour le gaz naturel et le gaz propane, CSA B149.1.

L'appareil de chauffage a été expédié de l'usine, configuré pour fonctionner au gaz propane.



GUIDE D'UTILISATION ET MANUEL DU PROPRIÉTAIRE

Modèle#

MH170QFAVT

LISEZ SOIGNEUSEMENT LES INSTRUCTIONS : Lisez et observez toutes les instructions. Conservez ces instructions dans un endroit sécuritaire pour vous y référer ultérieurement. Ne permettez pas à quiconque n'ayant pas lu les présentes instructions d'assembler, d'allumer, de régler ou de faire fonctionner l'appareil.



AVERTISSEMENT :

N'UTILISEZ QUE LES PIÈCES DE REMPLACEMENT DU FABRICANT. L'UTILISATION D'AUTRES PIÈCES RISQUE DE CAUSER DES BLESSURES ET LA MORT. LES PIÈCES DE REMPLACEMENT NE SONT OFFERTES QUE PAR LE FABRICANT ET DOIVENT ÊTRE INSTALLÉES PAR UNE ENTREPRISE SPÉCIALISÉE.

INFORMATION SUR LA COMMANDE DE PIÈCES :

ACHAT : Il est possible d'acheter les accessoires chez tous les détaillants Mr. Heater ou directement du fabricant.

POUR OBTENIR DES INFORMATIONS SUR LE SERVICE

Appelez sans frais au 800-251-0001
www.mrheater.com

Nos heures de bureau sont de 8 h 00 à 17 h HE, du lundi au vendredi.

Veuillez indiquer le numéro du modèle, la date d'achat et la description du problème dans toutes vos communications avec nous.

GARANTIE LIMITÉE

Mr. Heater Group Inc. garantit ses appareils de chauffage et ses accessoires contre les défauts de matériel et de main-d'œuvre pour une période de un an à partir de la date d'achat. Mr. Heater Group Inc. réparera ou remplacera ce produit sans frais s'il est démontré qu'il est devenu défectueux pendant la période de un an et qu'il est retourné à Mr. Heater Group Inc. aux frais de l'acheteur avec une preuve d'achat, au cours de la période de garantie.

Certains États ou provinces ne permettent pas d'exclure ou de limiter les dommages indirects ou subséquents. Par conséquent, les limitations ou exclusions ci-dessus mentionnées ne vous concernent peut-être pas. La présente garantie vous accorde des droits juridiques précis, mais vous pourriez avoir d'autres droits qui varient selon la province ou l'État.

Mr. Heater Group Inc. se réserve le droit d'effectuer des modifications en tout temps, sans préavis ni obligation, aux couleurs, aux spécifications, aux accessoires, aux matériaux et aux modèles.

ENREGISTREMENT DU PRODUIT : Nous vous remercions pour votre achat.
Veuillez vous connecter à <http://www.egiregistration.com> pour enregistrer votre produit.



¡NUNCA DEJE EL CALENTADOR DESATENDIDO MIENTRAS SE QUEMA!

INSTRUCCIONES DE USO Y MANUAL DEL USUARIO



**PROPANO AIRE FORZADO
CALENTADOR CONSTRUCCIÓN**
Con NUEVA TECNOLOGÍA QUEMADOR TRANQUILA

Modelo #

MH170QFAVT

LEA CUIDADOSAMENTE LAS INSTRUCCIONES: lea y siga todas las instrucciones. Consérvelas en un lugar seguro para futura referencia. No permita que nadie que no haya leído estas instrucciones arme, encienda, ajuste o use el calentador.



- No almacene ni utilice gasolina ni ningún otro vapor ni líquido inflamable cerca de este ni de ningún otro artefacto.
- Los cilindros LP que no estén conectados al calentador no deben almacenarse cerca de este ni de ningún otro artefacto.
- QUÉ HACER SI DETECTA OLOR A GAS
 - No intente encender el artefacto.
 - Apague todas las llamas expuestas.
 - Corte el suministro de gas al artefacto.
- El mantenimiento debe ser realizado por una agencia de reparación calificada.

Este calentador portátil a gas no tiene una fuente propia de ventilación. Utiliza el aire (oxígeno) del área en la cual se emplea. Debe suministrarse el aire necesario para la ventilación y la combustión. Consulte la página 3.

⚠️ ADVERTENCIA:

SU SEGURIDAD ES IMPORTANTE PARA USTED Y PARA LOS DEMÁS. POR ELLO, LEA ESTAS INSTRUCCIONES ANTES DE UTILIZAR EL CALENTADOR.

⚠️ ADVERTENCIA GENERAL DE PELIGRO:

EL NO CUMPLIR CON LAS PRECAUCIONES E INSTRUCCIONES QUE VIENEN CON ESTE CALENTADOR PUEDE CAUSAR LA MUERTE, LESIONES GRAVES Y PÉRDIDAS Y DAÑOS MATERIALES DERIVADOS DEL PELIGRO DE INCENDIO, EXPLOSIÓN, QUEMADURAS, ASFIXIA, ENVENENAMIENTO CON MONÓXIDO DE CARBONO Y/O DESCARGAS ELÉCTRICAS. SOLO LAS PERSONAS QUE ENTIENDAN Y PUEDAN SEGUIR LAS INSTRUCCIONES DEBEN USAR O MANTENER ESTE CALENTADOR. SI NECESITA AYUDA O INFORMACIÓN ACERCA DEL CALENTADOR, COMO MANUALES DE INSTRUCCIONES, ETIQUETAS, ETC., PÓNGASE EN CONTACTO CON EL FABRICANTE.

⚠️ ADVERTENCIA:

LE MONOXYDE DE CARBONE PEUT VOUS TUER
NON POUR L'UTILISATION DE VÉHICULES À DOMICILE OU RÉ CRÉATIF, L'UTILISATION D'UN CHAUFFAGE PORTABLE DANS UN ENDROIT CERTIFIÉ PEUT PRODUIRE DU MONOXYDE DE CARBONE MORTEL.

⚠️ ADVERTENCIA:

PELIGRO DE INCENDIO, QUEMADURAS, INHALACIÓN Y EXPLOSIÓN. MANTENGA LOS COMBUSTIBLES SÓLIDOS COMO MATERIALES DE CONSTRUCCIÓN, PAPEL O CARTÓN A UNA DISTANCIA SEGURA DEL CALENTADOR TAL COMO LO RECOMIENDAN LAS INSTRUCCIONES. NUNCA USE EL CALENTADOR EN ESPACIOS QUE CONTIENEN O PODRÍAN CONTENER COMBUSTIBLES VOLÁTILES O PRODUCTOS COMO GASOLINA, SOLVENTES, DILUYENTE DE PINTURA O PRODUCTOS QUÍMICOS DESCONOCIDOS.

⚠️ ADVERTENCIA: LOS COMBUSTIBLES USADOS EN EQUIPOS PARA LICUAR GAS PROPANO, ASÍ COMO LOS PRODUCTOS DE SU COMBUSTIÓN, PUEDEN EXPONERTE A SUSTANCIAS QUÍMICAS, ENTRE ELLAS EL BENCENO, QUE EL ESTADO DE CALIFORNIA RECONOCE COMO CAUSA DE CÁNCER Y DE MALFORMACIONES CONGÉNITAS Y OTROS DAÑOS AL SISTEMA REPRODUCTOR. PARA MÁS INFORMACIÓN, WWW.P65WARNINGS.CA.GOV

⚠️ ADVERTENCIA: ESTE PRODUCTO PUEDE EXPONERLE A PLOMO Y COMPUESTOS DE PLOMO, QUE ES CONOCIDO (A) POR EL ESTADO DE CALIFORNIA COMO CAUSANTE DE CÁNCER. LÁVESE LAS MANOS DESPUÉS DE MANIPULAR ESTE PRODUCTO. PARA MAYOR INFORMACIÓN, VISITE WWW.P65WARNINGS.CA.GOV.

CONTENIDOS

Especificaciones 2
Precauciones de utilización 3
Precauciones de seguridad..... 3
Advertencia de disipación del olor 4
Instrucciones de uso 4
Almacenamiento y reparación 5
Instrucciones de encendido..... 5
Diagrama de cableado 170QFAVT 6
Lista de piezas 170 QFAVT 7
Diagrama extendido 170 QFAVT 7
Diagrama de cableado 170 QFAV (sin termostato) 8

ESPECIFICACIONES

MODELO # : 170QFAVT
TIPO DE GAS.....Propano
ESPECIFICACIONES BTU. 125.000-170.000 BTU/hr
(36,6-49,8 kW)
PRESIÓN DEL SUMINISTRO DE GAS AL REGULADOR
Máxima: Presión del cilindro.
Mínima: 20 psig (137,9 kPa)
SALIDA DEL REGULADOR 20 psig (137,9 kPa)
ENTRADA DE CORRIENTE..... 115 V, 60 Hz, 1Ø, 3a
ENCENDIDO..... Chispa directa, no constante
CONTROL PRIMARIO DE LA LLAMA del estado sólido 10-15 segundos
CONTROL DE ALTA TEMPERATURA 240 °F (116 °C)
Temperatura ambiente mínima Especificaciones: 0 °F (-17,8 °C)
CONSUMO DE COMBUSTIBLE ... 5,8 - 7,9 libras/hr
(2,6-3,6 kg/hr)
N.º DEL PUERTO DEL ORIFICIO DE COMBUSTIBLE: ..18
TAMAÑO DEL PUERTO DEL ORIFICIO DE COMBUSTIBLE:0,80 mm favt
0,82 MM FAV
SALIDA DE AIRE CALIENTE:..... 450 PCM (12,74 M/M CÚBICOS)

PRECAUCIONES DE UTILIZACIÓN

Este artefacto es un calentador de propano de caldeo directo a aire forzado. Está diseñado para usarse principalmente en la calefacción temporaria de edificios en construcción, remodelación o reparación.

El propano es más pesado que el aire. Cuando el propano escapa de una conexión o acople, desciende hacia el piso y se acumula allí con el aire circundante, y forma una mezcla potencialmente explosiva. Obviamente, las fugas de propano deben evitarse, así que debe establecer la conexión del suministro de propano con extremo cuidado. Lea el documento adjunto "Propano y disipación del olor" para obtener más información sobre la detección de fugas de propano. Realice una comprobación de fugas utilizando una solución de agua jabonosa siempre que establezca una nueva conexión o realice una reconexión, y siga todas las instrucciones de conexión incluidas en este documento. Además, solicite asesoramiento del proveedor de propano acerca de la aplicación e instalación del suministro de propano, y pídale que realice una revisión si tuviera alguna duda.

Este calentador fue diseñado y certificado para ser utilizado como un calentador para sitios de construcción de acuerdo con el estándar ANSI Z83.7/CGA 2.14. Consulte con la autoridad de seguridad antiincendios si tiene alguna pregunta sobre sus aplicaciones. Hay otros estándares que rigen el uso de gases combustibles y productos que producen calor en aplicaciones específicas. La autoridad local podrá asesorarlo al respecto.

De caldeo directo quiere decir que todos los productos de la combustión ingresan al espacio que se calefacciona. Aunque este calentador funciona casi a un 100 % de eficiencia de combustión, produce pequeñas cantidades de monóxido de carbono. El monóxido de carbono (CO) es tóxico. Podemos tolerar pequeñas cantidades, pero no grandes cantidades. El CO puede acumularse en el lugar que se calienta y si no se establecen las condiciones de ventilación adecuadas puede resultar mortal.

Los síntomas de ventilación inadecuada son:

- dolores de cabeza
- mareos
- ardor en los ojos y en la nariz
- náuseas
- boca reseca o dolor de garganta

Por tanto, asegúrese de seguir las recomendaciones sobre las condiciones de ventilación que se incluyen en estas instrucciones de uso.

Aire forzado significa que un soplador o ventilador impulsa el aire a través del calentador. La combustión depende de este flujo de aire para realizarse correctamente, por tanto, el calentador no debe modificarse, alterarse ni utilizarse si se le han sustraído o le faltan piezas. Asimismo, no se deben alterar ni modificar los sistemas de seguridad para utilizar el calentador.

Cuando deba utilizarse el calentador en presencia de otras personas, el usuario será responsable de poner a los presentes al corriente de las precauciones e instrucciones de seguridad, y de los posibles peligros.

Figura 1

VENTILACIÓN: aperturas mínimas necesarias

Calentador	Apertura cerca del piso	Apertura cerca del cielorraso
Aire forzado (170 QFAVT)	0,3 m ² (3 pies ²)	0,3 m ² (3 pies ²)

PRECAUCIONES DE SEGURIDAD

1. Revise cuidadosamente si el calentador presenta daños. NO use un calentador dañado.
2. NO modifique el calentador ni lo use si su configuración original ha sido modificada.
3. Utilice únicamente gas propano.
4. Utilice únicamente suministro de propano con RECUPERACIÓN DE VAPOR. Si tiene alguna pregunta sobre la recuperación de vapor, consulte al proveedor de propano.
5. Monte los cilindros de propano verticalmente (válvula hacia arriba). Asegúrelos para que no caigan ni sean arrojados al piso y protéjalos de daños.
6. Ubique los envases de propano por lo menos a 2,13 m (7 pies) (EE. UU.) o a 3 m (10 pies) (Canadá) del calentador y **no** apunte el escape hacia ellos.
7. **IMPORTANTE:** Use únicamente la manguera y el regulador que vienen con el calentador. Haga coincidir la franja de color de la etiqueta colgante que se encuentra en el acople de la manguera con el color de la etiqueta situada cerca del acople de entrada del propano en el calentador. Inspeccione siempre el conjunto de la manguera antes de utilizar el calentador. Si el conjunto de la manguera estuviera excesivamente estropeado o desgastado, o si presentara cortaduras, reemplácelo por uno de los que se especifica en la lista de piezas antes de utilizar el calentador.
8. Solo para uso en interiores. El área debe estar bien ventilada. **Figura 1.** (consulte también la sección "Precauciones de utilización").
9. Si detectara olor a gas en algún momento, INTERRUMPA INMEDIATAMENTE la utilización del equipo hasta que haya sido detectada y corregida la fuente de gas. Lea el documento adjunto "Propano y disipación del olor" para obtener más información sobre la detección de fugas de propano.
10. Instale el calentador de forma tal que no esté directamente expuesto a salpicaduras de agua, lluvia ni goteo de agua.
11. Mantenga las distancias mínimas de materiales combustibles normales (como el papel). **Figura 2.**
12. Dadas las elevadas temperaturas de la superficie y del escape, tanto los adultos como los niños deben mantener la distancia adecuada para evitar quemaduras o la ignición de su ropa.
13. Úselo únicamente sobre una superficie nivelada y estable.
14. No lo utilice en redes de conductos. No restrinja las entradas ni las salidas.
15. Utilice únicamente la alimentación de corriente especificada. La conexión eléctrica y a tierra debe cumplir con los requisitos del Código Eléctrico Nacional - ANSI/NFPA 70 (EE.UU.) y del Código Eléctrico Canadiense CGA C22. 1, Primera parte (Canadá).
16. Utilice únicamente un cable de extensión o un receptáculo de 3 patas correctamente conectado a tierra.
17. No mueva, manipule ni ajuste el artefacto mientras esté caliente o encendido.
18. No ajuste la elevación del tubo de combustión del calentador mientras esté en funcionamiento o caliente. Se deben realizar los ajustes en la elevación solo después de que el calentador se haya enfriado al tacto.
19. Utilice únicamente de acuerdo con los códigos locales o, en la ausencia estos, de acuerdo con los Estándares ANSI/NFPA 58 y CGA B149.1 para almacenamiento y manipulación de gases licuados del petróleo del Código de instalación de propano y gas natural.

Figura 2: DISTANCIAS MÍNIMAS de materiales combustibles normales

Distancia	Aire forzado 170QFAVT
Desde el piso	0 m (0 pies)
Del tomacorriente.....	1,83 m (6 pies)
Desde los laterales	0,60 m (2 pies)
Desde la parte superior.....	0,91 m (3 pies)
Colóquelo a 3 m (10 pies) de lonas o cubiertas de protección plásticas o cubiertas similares y asegúrelas para evitar que ondeen o se muevan por la acción del viento.	

ADVERTENCIA DE DISIPACIÓN DEL OLOR**ADVERTENCIA****Peligro de asfixia**

- No utilice este calentador para calefaccionar locales habitados por personas.
- No lo utilice en áreas sin ventilación.
- No obstruya el flujo de aire necesario para la combustión y la ventilación.
- Deberá suministrar la ventilación adecuada para garantizar que el calentador disponga del aire que necesita para la combustión.
- Consulte la sección de especificaciones del manual del calentador, la placa del calentador o póngase en contacto con el fabricante para conocer los requerimientos de ventilación del calentador.
- Si la ventilación no es la adecuada, la combustión no se llevará a cabo correctamente.
- Una combustión inadecuada puede producir envenenamiento con monóxido de carbono con graves daños para la salud, o causar la muerte. Los síntomas de envenenamiento con monóxido de carbono incluyen dolores de cabeza, mareos y dificultad para respirar.

OLOR A GAS COMBUSTIBLE

Los gases LP y el gas natural contienen sustancias aromáticas artificiales -añadidas específicamente para facilitar la detección de fugas de gas.

Si se produjera una fuga de gas, usted debe poder oler el gas combustible. Dado que el propano (LP) es más pesado que el aire, debe tratar de detectar el olor lo más cerca del piso posible. ¡CUALQUIER OLOR A GAS SERÁ LA SEÑAL PARA TOMAR MEDIDAS INMEDIATAMENTE!

- No haga nada que pudiera inflamar el gas combustible. No active ningún interruptor eléctrico. No desconecte ninguna toma de corriente ni cables de extensión. No encienda fósforos ni ninguna otra fuente de llamas. No utilice el teléfono.
- Saque a todas las personas del edificio y aléjelas del área inmediatamente.
- Cierre todas las válvulas de suministro de combustible de los cilindros o del tanque de gas propano (LP), o la válvula principal de suministro de combustible que se encuentra en el medidor si emplea gas natural.
- El gas propano (LP) es más pesado que el aire y puede asentarse en áreas bajas. Cuando sospeche que puede haber una fuga de propano, manténgase alejado de las áreas bajas.
- Utilice el teléfono de su vecino y llame al proveedor de gas y al departamento de bomberos. No vuelva -a entrar al edificio ni se acerque al área.
- Manténgase alejado del edificio y del área hasta que los bomberos y el proveedor de gas hayan declarado que no hay peligro.
- POR ÚLTIMO, permita que la persona del servicio de gas y los bomberos revisen si hay fugas de gas. Haga que ventilen el edificio y el área antes de su regreso. Un agente de servicios calificado debe reparar cualquier fuga, revisar si hay otras fugas y volver a encender el artefacto por usted.

DISIPACIÓN DEL OLOR - NO SE DETECTA NINGÚN OLOR

- Algunas personas tienen problemas de olfato. Algunos no pueden detectar el olor del químico artificial -añadido al propano (LP) o al gas natural. Debe determinar si es capaz de oler la sustancia aromática que contienen estos gases combustibles.
- Aprenda a reconocer el olor del gas propano (LP) y del gas natural. Los distribuidores locales de propano (LP) le darán con gusto un panfleto con muestras de olores. Utilícelo para familiarizarse con el olor del gas combustible.
- El hábito de fumar puede disminuir el sentido del olfato. Exponerse a un olor durante un período puede afectar su

sensibilidad a ese olor específico. Los olores presentes en instalaciones donde se crían animales pueden enmascarar el olor del gas combustible.

- **La sustancia aromática presente en el gas propano (LP) y en el gas natural es incolora y la intensidad de su olor puede desvanecerse en algunas circunstancias.**
- Si hay una fuga subterránea, el recorrido del gas a través del suelo puede filtrar esta sustancia aromática.
- El aroma del gas propano (LP) puede variar en intensidad a diferentes niveles. Dado que el gas propano (LP) es más pesado que el aire, el olor puede ser más intenso en los niveles más bajos.
- **Manténgase siempre alerta al más mínimo olor a gas.** Si continúa percibiendo el olor a gas, no importa cuán poco sea, proceda como si fuera una fuga grave. Tome medidas de inmediato como se explicó anteriormente.

ATENCIÓN - PUNTOS IMPORTANTES PARA RECORDAR

- **El gas propano (LP) tiene un olor característico. Aprenda a reconocer estos olores. (Consulte las secciones "Olor a gas combustible" y "Disipación del olor").**
- Aunque usted no esté capacitado para dar mantenimiento y reparar el calentador, SIEMPRE esté atento a los olores del gas propano (LP) y del gas natural.
- Si no ha recibido capacitación para reparar y dar mantenimiento a equipos que emplean gas propano (LP), no intente encender el calentador, darle mantenimiento o repararlo, ni hacer ningún ajuste al calentador en el sistema de combustible de gas propano (LP).
- Una prueba olfativa periódica en las proximidades del calentador o en sus conexiones, por ejemplo, en la manguera, los acoples, etc., es una buena costumbre en todo momento. Si huele la más mínima cantidad de gas, PÓNGASE EN CONTACTO CON EL PROVEEDOR DE GAS INMEDIATAMENTE. ¡NO ESPERE!

Ajuste de la elevación del calentador

Este calentador incluye un panel de ajuste de elevación ubicado en el extremo del escape en la caja de control.

1. No ajuste la elevación del tubo de combustión del calentador mientras esté en funcionamiento o caliente. Se deben realizar los ajustes en la elevación solo después de que el calentador se haya enfriado al tacto.
2. Para ajustar la elevación del tubo de combustión del calentador, gire la perilla del tornillo de ajuste hacia la izquierda y levante el tubo de combustión hasta alcanzar la posición deseada.

INSTRUCCIONES DE USO

PREPARATIVOS PARA EL USO

1. Revise el calentador para determinar si sufrió daños durante el envío. Si encontrara alguno, notifíquelo *inmediatamente* a la fábrica.
2. Siga todas las "precauciones".
3. Conecte el acople POL de la manguera y el conjunto del regulador al cilindro de propano rotando la tuerca POL hacia la izquierda dentro de la válvula de salida del cilindro de propano y ajústela con una llave.
4. Conecte la manguera al calentador rotando el acople de la manguera hacia la derecha.
5. Asegure bien todas las conexiones de gas.
6. Abra la válvula de gas del cilindro y compruebe todas las conexiones de gas con una solución de agua jabonosa. **NO UTILICE LLAMAS.**
7. Conecte el cable de alimentación a una fuente de alimentación de 115 V, 60 Hz, 1Ø con la conexión a tierra adecuada.
8. Cuando use un cable de extensión, asegúrese de que sea de 3 cables (con conexión a tierra) y que tenga el tamaño adecuado.

MH170FAVT (CON TERMOSTATO)

ENCENDIDO

1. Abra lentamente la válvula principal del cilindro de propano para evitar que la válvula de control de exceso de flujo se cierre.
2. Coloque el termostato en la posición "on" (encendido). El calentador se encenderá automáticamente.
3. Ajuste la válvula de bola en el panel de control a la tasa de consumo deseada.
4. Configure el termostato a la temperatura deseada. El calentador se apagará y se encenderá automáticamente a medida que la temperatura varíe en el área donde se encuentra.

APAGADO

1. Cierre firmemente la válvula del cilindro de propano.
2. Continúe usando el calentador hasta que todo el combustible de la manguera se haya quemado.
3. Desconecte el calentador del suministro eléctrico.

PRECAUCIÓN: la omisión de desenchufar la unidad puede resultar en una operación inesperada.

REINICIO LUEGO DEL APAGADO DE SEGURIDAD

1. Cierre firmemente la válvula del cilindro de propano. Desconecte el calentador.
2. Espere 5 minutos.
3. Reinicie según se indica en el procedimiento de "Encendido".

MANTENIMIENTO Y ALMACENAMIENTO

1. Debe inspeccionar el calentador antes de cada uso y hacerlo revisar por una persona calificada una vez por año.
2. Antes de cada uso, revise siempre el asiento del anillo "O" de goma que se encuentra en el extremo del acople del POL. Si el anillo "O" presenta cortes, raspaduras o cualquier otro daño, reemplácelo por la pieza número F273786.
3. Cierre la salida de gas en el cilindro o los cilindros de suministro de gas LP cuando no esté utilizando el calentador.
4. Cuando deba guardar el calentador en un lugar cerrado, deberá desconectar la conexión entre el cilindro o los cilindros de suministro de gas LP y el calentador, y deberá retirarlos del calentador y guardarlos en un lugar al aire libre, como se especifica en el Capítulo 5 de los estándares ANSI/

NFPA 58 y CSA B149.1 para almacenamiento y manipulación de gases del petróleo líquido del Código de instalación de propano y gas natural.

REPARACIÓN

Se puede producir una situación de riesgo si se utiliza un calentador cuya configuración original haya sido modificada o si no está funcionando correctamente.

Cuando el calentador funciona correctamente:

- La llama arde en el interior del calentador.
- La llama es fundamentalmente azul y puede tener algunas terminaciones amarillas.
- No se percibe un olor desagradable fuerte, no arden los ojos y no hay ningún otro tipo de incomodidad física.
- No hay humo ni hollín dentro ni fuera del calentador.
- El calentador no se apaga inesperadamente o inexplicablemente.

Las listas de piezas y el diagrama del cableado muestran la configuración original del calentador. No utilice un calentador que sea diferente del que se muestra. En este sentido, utilice únicamente la manguera, el regulador y el acople de conexión (denominado acople POL) suministrados con el calentador.

IMPORTANTE: Haga coincidir la franja de color de la etiqueta colgante que se encuentra en el conjunto de la manguera con el color de la etiqueta situada cerca del acople de entrada del propano en el calentador. No utilice piezas alternativas. Para este calentador, el regulador debe estar instalado como se muestra en la sección "Especificaciones". Si hay alguna duda acerca de la instalación del regulador, haga que lo revisen.

Si un calentador *no* funciona correctamente debe ser reparado, pero *solo* por un técnico de mantenimiento capacitado y experimentado.

Para los productos en garantía, la reparación se realizará sin costos de piezas ni mano de obra. Incluya una breve declaración indicando la fecha y el lugar de compra, la naturaleza del problema y el comprobante de compra.

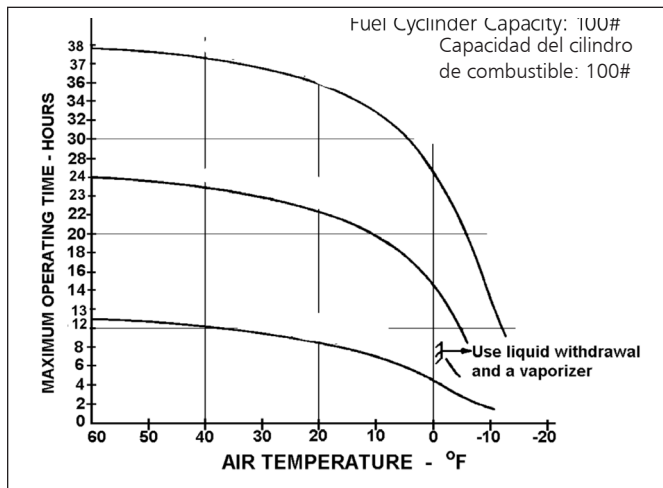
La reparación de los productos que se encuentren fuera del período de garantía incluirá los costos de piezas y mano de obra.

TAMAÑO Y CAPACIDAD DE LOS CILINDROS DE PROPANO

En los siguientes gráficos se indica el tamaño aproximado del cilindro que necesitan estos calentadores. Para utilizar el gráfico:

1. Seleccione la temperatura de aire mínima esperada (parte inferior del gráfico).
2. Ascienda en la vertical hasta encontrar el tiempo de funcionamiento deseado (a la izquierda del gráfico).
3. Lea el tamaño de cilindro requerido.

Todos los calentadores deben tener: cilindros llenos
buena circulación de aire
cilindros sin escarcha



¿CUÁNTO CALOR ES NECESARIO?

Por cuestiones económicas, es importante que la entrada sea la necesaria. Pero, a menudo, las necesidades de calor varían. Por ejemplo, normalmente se necesita mucho más calor para calentar un objeto de lo que se necesita para mantenerlo así. Del mismo modo, la temperatura del aire externa normalmente cambia durante el día, por lo que puede necesitar más calor durante la noche que durante el día. En el siguiente se indican cifras estimadas del calor necesario.

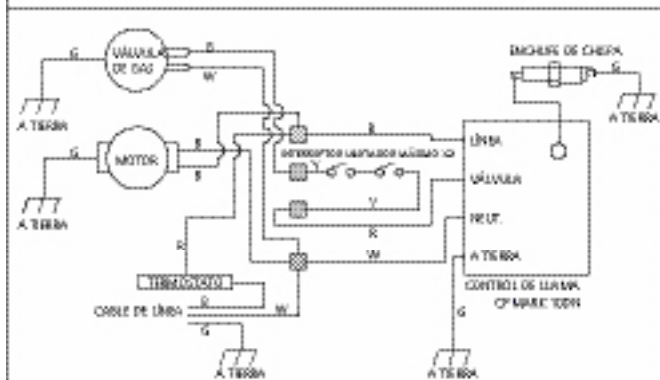
	oo	oo	oo	oo
5,000	14,000	20,000	27,999	34,000
7,000	19,000	28,000	38,000	47,000
10,000	27,000	40,000	54,000	67,000
15,000	40,000	60,000	80,000	100,000
20,000	54,000	80,000	107,000	133,000
30,000	80,000	120,000	160,000	200,000
50,000	133,000	200,000	266,000	333,000

⚠ ADVERTENCIA: Cuando usa un calentador controlado por termostato, su área de salida debe estar protegida del personal y se deben colocar advertencias sobre encendido repentino.

Calibre mínimo recomendado para los cables de extensión

Placa de nombre 120 V Amp.	Longitud del cable en pies			
	7,6 m (25 ft)	15,2 m (50 ft)	30,5 m (100 ft)	46 m (150 ft)
5-6	18	16	14	12
6-8	18	16	12	10
8-12	18	14	12	10
10-12	16	14	10	8
12-14	16	12	10	8

DIAGRAMA DE CABLEADO



CÓDIGO DE COLORES:

B - NEGRO R - ROJO
L - AZUL W - BLANCO
G - VERDE Y - AMARILLO
O - NARANJA

En caso de que se necesitara reemplazar cualquier cableado original suministrado con el calentador, debe reemplazarse con el cable de calibre 105° C o su equivalente excepto tal como se indica (*tipo SF2-200, **SGI 250° C).

170QFAVT: GRÁFICO DE CABLEADO

COLOR	LONGITUD	DESDE	HASTA
Blanco	18 cm (7")	Válvula	Bloque de terminal
Negro	15 cm (6")	Interruptor "On/Off" (Encendido/ Apagado)	Bloque de terminal
Rojo (Temp. alta)	42 cm (16,5")	Interruptor limitador máximo	Válvula
Rojo (Temp. alta)	42 cm (16,5")	Interruptor limitador máximo	Bloque de terminal
Naranja	28 cm (11")	Control de la llama (Encendido)	Bujía
Verde	18 cm (7")	Control de la llama (mazo)	Conexión a tierra
Rojo	18 cm (7")	Control de la llama (mazo)	Bloque de terminal
Blanco	15 cm (6")	Control de la llama (mazo)	Bloque de terminal
Negro	15 cm (6")	Control de la llama (mazo)	Bloque de terminal

¡NUNCA DEJE EL CALENTADOR DESATENDIDO MIENTRAS SE QUEMA!

⚠ADVERTENCIA

Peligro para la calidad del aire

- No utilice este calefactor para calentar viviendas de personas.
- El uso de calefactores a fuego directo en lugares de construcción puede causar una exposición a niveles de CO, CO₂ y NO₂ considerados como peligrosos para la salud y potencialmente letales.
- No lo utilice en áreas sin ventilación.
- Conozca los signos de envenenamiento por CO y CO₂.
 - Dolor de cabeza, picazón en los ojos
 - Mareo, desorientación
 - Dificultad para respirar, sentirse sofocado
- Se debe proporcionar aire de ventilación exterior adecuado (OSHA 29 CFR 1926.57) como para mantener la combustión y una calidad de aire aceptable de acuerdo con la norma OSHA 29 CFR Parte 1926.154, con los requisitos de seguridad para dispositivos y equipos de calefacción temporarios y portátiles utilizados en la industria de la construcción (ANSI A10.10) o con las normas de instalación para gas natural y propano (CSA B149.1).
 - Controle periódicamente los niveles de CO, CO₂ y NO₂ presentes en el lugar de la construcción (como mínimo, al principio del turno de trabajo y luego de 4 horas).
 - Proporcione aire de ventilación exterior, ya sea de forma natural o mecánica, como sea necesario para mantener una calidad aceptable del aire interior.

	EE.UU.: Promedio ponderado de 8 horas (OSHA 29 CFR 1926.55 App A)	Canadá: Promedio ponderado de 8 horas Recomendaciones WorkSafe BC OHS Parte 5.1 y Reglamentaciones para lugares de trabajo de Ontario 833
CO	50 partes por millón	25 partes por millón
CO ₂	5000 partes por millón	5000 partes por millón
NO ₂		3 partes por millón (Reg 833)
	EE.UU.: Límite superior (Límite de exposición por corto tiempo = 15 minutos)	Canadá: STEL (15 minutos Reglamentación 833/1 hora WSBC) Recomendaciones WorkSafe BC OHS Parte 5.1 y Reglamentaciones para lugares de trabajo de Ontario 833
CO		100 partes por millón
CO ₂		15000 partes por millón (WSBC) 30000 partes por millón (Reg 833)
NO ₂	5 partes por millón	1.0 partes por millón (WorkSafeBC) 5.0 partes por millón (Reg 833)

- Asegúrese de que no obstruya el flujo de aire necesario para la combustión y para el aire de ventilación.
- A medida que el edificio se vuelve "más cerrado" durante las etapas de construcción, podría ser necesario aumentar la ventilación.

La instalación de este artefacto a alturas de más de 2000 pies (610 m) debe realizarse de acuerdo con las normas locales, y en caso de no existir, de acuerdo con la norma nacional para gas combustible (ANSI Z223.1/NFPA 54), con las normas nacionales de Canadá o con las normas de instalación para gas natural y propano (CSA B149.1)

El calefactor se envió desde la fábrica configurado para funcionar con gas propano.

¡NUNCA DEJE EL CALENTADOR DESATENDIDO MIENTRAS SE QUEMA!



INSTRUCCIONES DE USO Y MANUAL DEL USUARIO

Modelo #

MH170QFAVT

LEA CUIDADOSAMENTE LAS INSTRUCCIONES: lea y siga todas las instrucciones. Consérvelas en un lugar seguro para futura referencia. No permita que nadie que no haya leído estas instrucciones arme, encienda, ajuste o use el calentador.



ADVERTENCIA:

USE SOLAMENTE REPUESTOS DEL FABRICANTE. EL USO DE CUALQUIER OTRA PIEZA PODRÍA CAUSAR HERIDAS O LA MUERTE. LOS REPUESTOS ESTÁN DISPONIBLES ÚNICAMENTE EN LA FÁBRICA Y DEBEN SER INSTALADOS POR UNA AGENCIA DE SERVICIO CALIFICADA.

INFORMACIÓN PARA ORDENAR REPUESTOS:

COMPRAS: Los accesorios se pueden comprar en cualquier distribuidor local de Mr. Heater o directamente en la fábrica.

SI DESEA OBTENER INFORMACIÓN ACERCA DE REPARACIONES

Llame sin cargo al 800-251-0001 • www.mrheater.com

Nuestro horario de trabajo es de 8:00 a. m. a 5:00 p. m., hora del este, de lunes a viernes.

Envíe un mensaje de correo electrónico a: techservice@enerco-mrheater.com.

Incluya el número de modelo, la fecha de compra y la descripción del problema en todas sus comunicaciones.

GARANTÍA LIMITADA

La compañía da garantías de que este producto está libre de imperfecciones materiales y de fabricación, bajo condiciones de uso normales y adecuadas de acuerdo con las instrucciones de la Compañía, por un período de un año a partir de la fecha de entrega al comprador. La Compañía, según decida, reparará o reemplazará los productos que el comprador devuelva a la fábrica, con transportación prepagada dentro del mencionado período de un año y que la Compañía determine que presentan imperfecciones materiales o de fabricación.

Si alguna de las piezas está dañada o si le falta alguna, llame al Departamento de Asistencia Técnica al 800-251-0001.

Dirija sus reclamos de garantía a la siguiente dirección: Service Department, Mr. Heater, Inc., 4560 W. 160th St., Cleveland, Ohio 44135. Incluya su nombre, dirección y número telefónico en su comunicación, y los detalles relacionados con el reclamo. Además, infórmenos la fecha de la compra y el nombre y la dirección del proveedor de quien adquirió nuestro producto.

Lo anterior describe las responsabilidades de la Compañía en toda su extensión. No hay otras garantías, ni explícitas ni implícitas. Específicamente, no hay garantías acerca de la adecuación para un propósito particular y no hay garantías de comerciabilidad. En ningún caso la Compañía será responsable por demoras causadas por imperfecciones, por daños consecuentes ni por ningún otro cargo de gastos de ninguna naturaleza realizados sin su consentimiento escrito. El costo de reparación o reemplazo será la única compensación por cualquier incumplimiento de la garantía. No hay garantía ni se derivará garantía implícita alguna del proceso de comercialización ni de las prácticas comerciales comunes. Esta garantía no será válida para productos que hayan sido reparados o alterados fuera de la fábrica en cualquier sentido que a nuestro criterio afecte su estado o funcionamiento.

Algunos estados no permiten la exclusión o limitación de daños incidentales ni consecuentes, así que la limitación o exclusión anterior puede no tener validez en su caso. Esta Garantía le otorga derechos legales específicos, y usted puede tener otros derechos que varían de un estado a otro.

Mr. Heater, Inc., se reserva el derecho a hacer cambios en cualquier momento, sin previo aviso ni obligación, en los colores, las especificaciones, los accesorios, los materiales y los modelos.



REGISTRO DEL PRODUCTO: Gracias por su compra.

Inicie sesión en <http://www.egiregistration.com> para registrar su producto.

Mr. Heater GROUP, INC., 4560 W. 160TH ST., CLEVELAND, OHIO 44135 • 800-251-0001
Mr. Heater es una marca registrada de Mr. Heater Group, Inc.
© 2019, Mr. Heater Group, Inc. Todos los derechos reservados