

**NEVER LEAVE THE HEATER UNATTENDED WHILE BURNING!**

## OPERATING INSTRUCTIONS AND OWNER'S MANUAL

# PORTABLE BUDDY RADIANT HEATER

Model # MH9BX



PORTABLE PROPANE HEATER FOR  
RECREATIONAL AND  
EMERGENCY INDOOR USE

**FOR US SALE EXCEPT  
MASSACHUSETTS**

Use only Mr. Heater branded accessories  
(See page 10 for WARNING information)

#### LANGUAGES INCLUDED:

- ENGLISH
- SPANISH



**⚠ WARNING:** If the information in this manual is not followed exactly, a fire or explosion may result causing property damage, personal injury or loss of life.

Do not store or use gasoline or other flammable vapors and liquids in the vicinity of this or any other appliance.

An LP cylinder not connected for use shall not be stored in the vicinity of this or any other appliance.

#### WHAT TO DO IF YOU SMELL GAS

- Do not try to light appliance.
- Extinguish any open flame
- Shut off gas to appliance

Service must be performed by a qualified installer, service agency.

This is an unvented gas-fired portable heater. It uses air (oxygen) from the area in which it is used. Adequate combustion and ventilation air must be provided. Refer to page 2.

**READ INSTRUCTIONS CAREFULLY:** Read and follow all instructions. Place instructions in a safe place for future reference. Do not allow anyone who has not read these instructions to assemble, light, adjust or operate the heater.

**⚠️WARNING:**

Early signs of carbon monoxide poisoning resemble the flu, with headache, dizziness and/or nausea. If you have these signs, heater may not be working properly. Get fresh air at once! Have heater serviced.

**⚠️WARNING:**

Every time hose or tank is connected to unit, connection must be checked for leaks in one or more ways: Apply soapy water to connection, look for bubbles, listen for hiss of escaping gas, feel for extreme cold, smell for rotten egg odor. Do not use if leaking!

**⚠️WARNING:**

**FIRE OR EXPLOSION HAZARD**

If you smell gas:

1. Do not attempt to light appliance.
2. Extinguish any open flame.
3. Disconnect fuel supply.
4. Leave the area immediately.
5. Allow gas to dissipate 5 minutes before relighting the appliance.

Do not store or use gasoline or other flammable vapors and liquids in the vicinity of this or any other appliance.

Failure to follow these instructions could result in fire or explosion, which could cause property damage, personal injury, or death.

**⚠️WARNING:**

Any changes to this heater or its controls can be dangerous.

**⚠️WARNING:**

If the recreational enclosure does not have a window or roof vent, DO NOT USE THIS HEATER INSIDE.

**⚠️WARNING:**

Fuels used in liquefied propane gas appliances, and the products of combustion of such fuel, can expose you to chemicals including benzene, which is known to the state of California to cause cancer and cause birth defects or other reproductive harm, for more information go to [www.P65Warnings.ca.gov](http://www.P65Warnings.ca.gov)

**⚠️WARNING:**

This product can expose you to chemicals including lead and lead compounds, which are known to the State of California to cause cancer and birth defects or other reproductive harm. For more information visit [www.P65Warnings.ca.gov](http://www.P65Warnings.ca.gov)

This heater is equipped with a SAFETY SYSTEM designed to turn off the heater if not enough fresh air is available.

**⚠️WARNING:**

**DO NOT TAMPER WITH THE SAFETY SYSTEM!**

If heater shuts off, do not relight until you provide fresh air. If heater keeps shutting off, have the heater serviced. Keep burner and control compartment clean.

**NOTICE:**

Not for use in a "dwelling home" in California.

**CONTENTS**

- 2 Warnings
- 3 General Safety Instructions
- 3 Odor Fade Warning
- 4 General Information
- 5 Operation
  - Lighting
  - Shutdown
- 7 Maintenance
- 8 Troubleshooting
- 10 Parts List
- 12 Ordering Parts/Warranty

**⚠️WARNING:**

**CARBON MONOXIDE POISONING MAY CAUSE DEATH OR INJURY**

When used without adequate combustion and ventilation air, heater may give off excessive CARBON MONOXIDE, an odorless, poisonous gas.

This is an unvented gas-fired heater. The heater uses air (oxygen) from the area in which the heater is used. Adequate combustion and ventilation air must be provided. Refer to GENERAL SAFETY INSTRUCTIONS for more specific requirements regarding adequate combustion and ventilation air (page 3).

**Caution:**

- When operating the heater at altitudes over 7,000 FT above sea level the heater may shut off. (Please read the GENERAL INFORMATION)
- Some carpets or linoleum surfaces may discolor if heater is placed directly on these floor coverings.

**ODOR FADE WARNING**

**⚠️WARNING:**

**ASPHYXIATION HAZARD**

- Do not use in unventilated areas.
- The flow of combustion and ventilation air must not be obstructed.
- Proper ventilation air must be provided to support the combustion air requirements of the heater being used.
- Refer to the specification section of the heater’s manual, heater dataplate, or contact the factory to determine combustion air ventilation requirements of the heater.
- Lack of proper ventilation air will lead to improper combustion.
- Improper combustion can lead to carbon monoxide poisoning leading to serious injury or death. Symptoms of carbon monoxide poisoning can include headaches, dizziness and difficulty in breathing.

**GENERAL SAFETY INSTRUCTIONS**

**THIS IS A HEATING APPLIANCE. DO NOT OPERATE THIS APPLIANCE WITHOUT THE FRONT GRILL INSTALLED. DO NOT ATTEMPT TO WARM OR COOK FOOD ON THIS HEATER.**

- Do not use non-approved attachments on this heater.
- Due to high temperatures, the appliance should be located out of traffic and away from combustible materials.
- Children and adults should be alerted to the hazard of high surface temperatures and should stay away to avoid burns or clothing ignition.
- Do not leave this heater unattended while it is in operation. Keep children and pets away from the heater at all time.

- Do not place clothing or other flammable material on or near the appliance.
- Do not operate heater in any moving vehicle.
- Only disposable cylinders marked with the proper fuel type approved for the appliance, can be used.
- This heater can also be used in a recreational enclosure with a window or roof vent. It may also be used outdoors.
- This heater requires a minimum vent area of 9 square inches, (example 3” x 3” opening) at the ceiling and at floor level for adequate ventilation during operation. Do not use other fuel burning appliances inside.
- A propane-fired portable heater used for emergency home use shall not be set at an input setting in excess of 5,000 BTU/HR (1,466 W) when located in a bathroom and shall not be set at an input setting of more than 10,000 BTU/HR (2,931 W) when located in a bedroom. Refer to Specifications table for permissible settings.
- GAS PRESSURE AT HEATER IS REGULATED AND FIXED AT 11” W.C. WHEN USING A REMOTE HOSE CONNECTION DO NOT REGULATE OR REDUCE PROPANE TANK SUPPLY PRESSURE TO HEATER!
- REGULATOR IN HEATER MUST ALWAYS BE IN PLACE DURING OPERATION.
- If the wire guard is removed for servicing, it must be replaced prior to operating the heater.
- The appliance should be inspected before each use. Frequent cleaning may be required. The control compartments, burner and circulating air passageways of the appliance must be kept clean, see MAINTENANCE.
- DO NOT use this heater if any part has been under water. Immediately call a qualified service technician to inspect the heater and to replace any part of the control system and any gas control, which has been under water.
- When used without adequate combustion and ventilation air, this heater may give off excessive CARBON MONOXIDE, an odorless, poisonous gas.

Specifications	
Model No.	MH9BX
Gas Type	Propane (LP)
Input (Btu/Hr)	4,000/9,000
Minimum Ambient Temperature	-18°C/ 0°F
Clearance To Combustibles	
Top	30”
Front	24”
Sides	6”
Rear	0”
Permissible Settings	
Bathroom Use	“LO” Only
Bedroom Use	“HI” or “LO”

**WARNING:** Early signs of carbon monoxide poisoning resemble the flu, with headache, dizziness, and/or nausea. If you have these signs, the heater may not be working properly. Get fresh air at once! Have heater serviced.

Some people - pregnant women, persons with heart or lung disease, anemia, those under the influence of alcohol, those at high altitudes - are more affected by carbon monoxide than others.

- When heater is placed on the ground, make sure the ground is level and keep any objects at least 24 inches from the front of the heater. THIS HEATER IS EQUIPPED WITH A TIP OVER SWITCH THAT WILL SHUT THE HEATER OFF IF THE HEATER TIPS OVER HOWEVER, DO NOT LEAVE HEATER UNATTENDED OR WHERE CHILDREN MAY CAUSE THE HEATER TO TIP OVER. NEVER OPERATE THE HEATER WHILE SLEEPING!

**FUEL GAS ODOR**

**Propane (LP) gas and natural gas have man-made odorants added specifically for detection of fuel gas leaks.**

**If a gas leak occurs you should be able to smell the fuel gas. Since propane (LP) gas is heavier than air you should smell for the gas odor low to the floor. ANY GAS ODOR IS YOUR SIGNAL TO GO INTO IMMEDIATE ACTION!**

- Do not take any action that could ignite the fuel gas. Do not operate any electrical switches. Do not pull any power supply or extension cords. Do not light matches or any other source of flame. Do not use your telephone.
- Get everyone out of the building and away from the area immediately.
- Close all propane (LP) gas tank or cylinder fuel supply valves, or the main fuel supply valve located at the meter if you use natural gas.
- Propane (LP) gas is heavier than air and may settle in low areas. When you have reason to suspect a propane (LP) gas leak, keep out of all low areas.
- Use your neighbor's phone and call your fuel gas supplier and your fire department. Do not re-enter the building or area.
- Stay out of the building and away from the area until declared safe by the firefighters and your fuel gas supplier.
- FINALLY, let the fuel gas service person and the firefighters check for escaped gas. Have them air out the building and area before you return. Properly trained service people must repair any leaks, check for further leakages, and then relight the appliance for you.

**ODOR FADING - NO ODOR DETECTED**

- Some people cannot smell well. Some people cannot smell the odor of the man-made chemical added to propane (LP) gas. You must determine if you can smell the odorant in these fuel gases.
- Learn to recognize the odor of propane (LP) gas. Local propane (LP) gas dealers will be more than happy to give you a scratch and sniff pamphlet. Use it to become familiar with the fuel gas odor.
- Smoking can decrease your ability to smell. Being around an odor for a period of time can affect your sensitivity to that particular odor. Odors present in animal confinement buildings can mask fuel gas odor.
- **The odorant in propane (LP) gas is colorless and the intensity of its odor can fade under some circumstances.**
- If there is an underground leak, the movement of gas through the soil can filter the odorant.

- Propane (LP) gas odor may differ in intensity at different levels. Since propane (LP) gas is heavier than air, there may be more odor at lower levels.
- **Always be sensitive to the slightest gas odor.** If you continue to detect any gas odor, no matter how small, treat it as a serious leak. Immediately go into action as discussed previously.

**ATTENTION - CRITICAL POINTS TO REMEMBER!**

- Propane (LP) gas has a distinctive odor. Learn to recognize these odors. (Reference Fuel Gas Odor and Odor Fading sections above.
- Even If you are not properly trained in the service and repair of the heater, ALWAYS be consciously aware of the odors of propane (LP) gas.
- If you have not been properly trained in repair and service of propane (LP) gas then do not attempt to light heater, perform service or repairs, or make any adjustments to the heater on the propane (LP) gas fuel system.
- A periodic sniff test around the heater or at the heater's joints; i.e. hose, connections, etc., is a good safety practice under any conditions. If you smell even a small amount of gas, CONTACT YOUR FUEL GAS SUPPLIER IMMEDIATELY. DO NOT WAIT!

**GENERAL INFORMATION**

- This heater is safe for indoor use in small recreational enclosures having means for providing combustion air and ventilation, such as enclosed porches, cabins, fishing huts, trailers, tent trailers, tents, truck caps and vans. It may be used for emergency indoor heating when connected to a disposable 1 lb. propane cylinder.
- Note:** The heater is to be used outdoors, but may experience nuisance shutoffs due to certain wind conditions.
- When the heater is cold or at room temperature, it will take a few minutes for the burner tile to turn bright orange. This is normal and the heater is working properly. If burner tile is visibly flaming, turn heater off and call a qualified service technician.

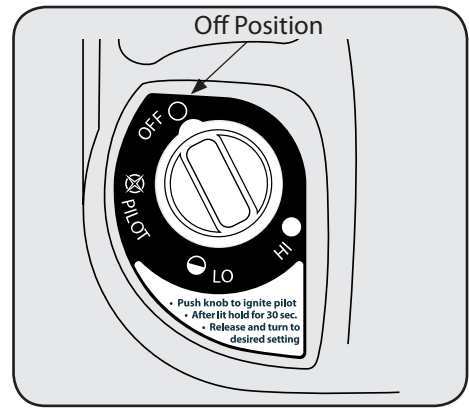


Figure 1

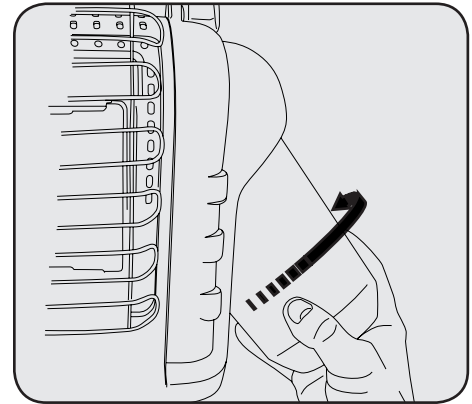


Figure 2

**⚠WARNING:** Always inspect propane cylinder and heater propane connections for damage, dirt, and debris before attaching propane cylinder. Do not use if head of cylinder is damaged, punctured or deteriorated.

**⚠WARNING:** Do not operate heater unless control knob is locked in a position marked "hi", "lo" or "pilot". Never set control knob between locked positions. Poor combustion and higher levels of carbon monoxide may result.

**⚠CAUTION:** Do not try to adjust heating levels by using the propane tank shut off valve.

- When the unit is lit, there should be about a quarter inch (1/4") border around the tile that will not turn bright orange. This is normal.
- When operating the heater for the first time, the top area of the reflector may discolor. This is also normal and is no reason for concern.
- The protective grill on the front of this heater is coated with a special high-temperature resistant paint. When the heater is used for the first time, the grill may give off noticeable smoke or fumes. This is normal and will not occur during subsequent uses. The fumes are not harmful.
- **When operating the heater at altitudes over 7,000 FT. above sea level, the unit may not burn as bright as in lower altitudes. This is normal. At higher altitudes, the heater may shut-off. If this happens, provide fresh air, wait 5 minutes and re-light. Due to local atmospheric conditions heater may not relight.**
- Operating time will be approximately 3 to 6 hours on a one 1lb cylinder and 48 to 110 hours on a 20 lb cylinder (based on "HI" and "LO" settings). Due to the properties of LP gas, runtimes can be significantly reduced when operating continuously at temperatures below 20°F. Use of a 20 lb. tank is recommended in these conditions.
- When moving heater when lit or bumping heater setting it down, the tip over switch may shut off heater. If this happens, re-light.
- Due to natural operation of small tanks, condensation may build up on tank and drip on surface under heater.

### LIGHTING / OPERATING INSTRUCTIONS FOR USE WITH DISPOSABLE 1 LB. PROPANE CYLINDERS:

ALWAYS ATTACH OR DETACH CYLINDER OUTDOORS AWAY FROM FLAMES, OTHER IGNITION SOURCES, AND ONLY WHEN HEATER IS COOL TO TOUCH. NEVER SMOKE WHEN ATTACHING OR REMOVING PROPANE CYLINDER OR MAKING REMOTE CONNECTIONS!

- The LP-gas cylinder(s) used must be constructed and marked in accordance with the specifications for LP-gas cylinders of the U.S. Department of Transportation (DOT).
- Use only VAPOR WITHDRAWAL propane supply. If there is any question about vapor withdrawal, ask your propane dealer.
- Use only 16.4 oz. (1 lb.) disposable cylinders that mate with No. 600 valve connection.
- This heater consumes oxygen from the room in which it is installed. To assure complete combustion, an adequate fresh air supply to the room, See **General Safety Instructions**, Page 3.
- Heater and attached cylinder must be in an upright position during operation.

**IMPORTANT:** The heater must not be exposed to flammable vapors or liquids during lighting.

1. Make sure four-position Control Knob is in "OFF" position. See Figure 1.
2. Swivel regulator outward for easy tank installation. Screw 1 lb. disposable LP-gas supply cylinder clockwise (from bottom) into portable heater until hand-tight. See Figure 2. Do not use thread sealant on this connection.
3. Check cylinder connection for leaks with soapy water at the threaded connection under the domed plastic cover where the cylinder screws into the regulator. **DO NOT USE ANY EXPOSED FLAME TO CHECK FOR LEAKS. DO NOT OVERTIGHTEN. SEE WARNING! ON DOMED PLASTIC COVER.**
4. Turn Control Knob counterclockwise to "PILOT" position and depress to light. See Figure 3.
5. If heater does not light, hold down for approximately 30 seconds; release and depress again. Repeat until pilot lights.
6. After pilot lights, hold down for 30 -60 seconds and then release knob. Knob should return to fully extended position. See Figure 4.
7. To operate heater slightly depress knob and gently turn to lock in the "HI" position to light burner tile. Leave on "HI" position until burner tile turns bright orange.

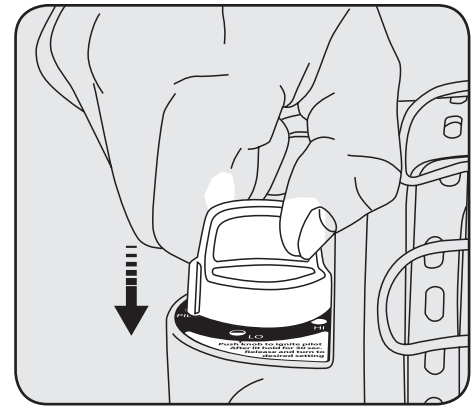


Figure 3

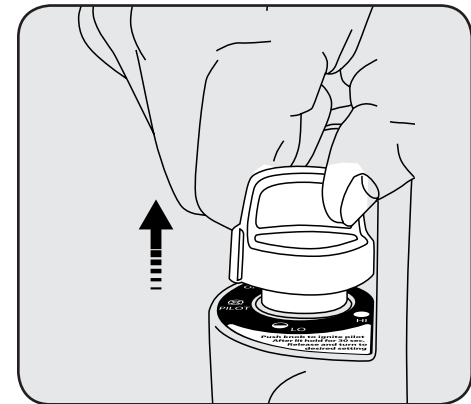


Figure 4

**CAUTION:** After turning heater off, wire guard will remain hot. Allow to thoroughly cool before storing.

**DANGER:** NEVER bring a refillable propane cylinder indoors. A fire or explosion can occur causing property damage, serious injury or death!

- After burner tile has turned bright orange, adjust heat output by turning Control Knob to desired position ("LO" or "HI" setting).

**Shutdown Instructions**

- To shut off heater, slightly push down and turn Control Knob clockwise to "OFF" position.
- Do not operate, store or remove cylinder near flammable items or ignition sources.

LP-GAS CYLINDERS MUST BE DISCONNECTED FROM HEATER WHEN NOT IN USE!

**LIGHTING / OPERATING INSTRUCTIONS FOR USE WITH HOSE CONNECTED TO A REMOTE CYLINDER, MAXIMUM SIZE 20 LBS:**

- This Heater may be used in a recreational enclosure with a remote refillable propane cylinder ONLY when the cylinder is located outdoors and the Heater is used with Mr. Heater Hose No. **F273701**, **F273702** or **F272702** and fuel filter **F273699**. Fuel filter must be replaced annually. (**NOTE:** Do not operate without the fuel filter as fuel contamination may damage the heater.) Or use **F273704** Buddy series hose. Fuel filter not required.
- Inspect the hose before each use of the heater. If there is excessive abrasion or wear, or the hose is cut, replace prior to using the heater with one of the Mr. Heater Hose No's. shown above.
- The LP-gas cylinder(s) used must be constructed and marked in accordance with the specifications for LP-gas cylinders of the U.S. Department of Transportation (DOT).
- Use only VAPOR WITHDRAWAL propane supply. If there is any question about vapor withdrawal, ask your propane dealer.

- The propane cylinder must include a listed overfilling protection device as well as a collar to protect the cylinder valve.
- This heater consumes oxygen from the room in which it is installed. To assure complete combustion, an adequate fresh air supply to the room, See **General Safety Instructions**, Page 3.
- Heater must be in an upright position during operation.

**IMPORTANT:** The heater must not be exposed to flammable vapors or liquids during lighting.

- Make sure four-position Control Knob is in "OFF" position. See Figure 1 on previous page.
- Swivel regulator outward for easy hose installation. Screw hose connector into regulator on heater and screw connector on other end of hose into LP-gas supply cylinder valve. Tighten all hose connections. DO NOT use thread sealant on any of these connections.
- Mr. Heater strongly recommends using disposable fuel filter **F273699** to trap any oil substances when connected to a remote cylinder that can make heater inoperable.
- Open valve at LP-gas supply cylinder.
- Check all hose connections for leaks with soapy water at the threaded connection under the domed plastic cover where the hose connector screws into the regulator and at LP-gas supply cylinder. DO NOT USE ANY EXPOSED FLAME TO CHECK FOR LEAKS. DO NOT OVERTIGHTEN. SEE WARNING! ON DOMED PLASTIC COVER.
- Turn Control Knob counterclockwise to "PILOT" position and depress to light. See Figure 3 on previous page. This may take longer to purge air from the supply hose depending on the length of the hose being used.

- If pilot does not light, hold down for approximately 30 seconds; release and depress again. Repeat until pilot lights.
- After pilot lights, hold down for 30 -60 seconds and then release knob. Knob should return to fully extended position. See Figure 4 on previous page. The pilot should remain lit.
- To operate heater slightly depress knob and gently turn to lock in the "HI" position to light burner tile. Leave on "HI" position until burner tile turns bright orange.
- After burner tile has turned bright orange, adjust heat output by turning Control Knob to desired position ("LO" or "HI" setting).

**Shutdown Instructions**

- To shut off heater, shut off propane at supply tank, allow heater to use-up propane in supply line until heater shuts off, then slightly push down and turn Control Knob clockwise to "OFF" position.
- When not in use, the gas must be turned off at the LP-gas supply cylinder. As stated before allow heater to use up propane in supply line until heater shuts off. When the LP-gas supply cylinder is not disconnected from the heater, the heater and the cylinder must be stored outdoors, in a well ventilated space, out of reach of children, and must not be stored in a building, garage or any other enclosed area.
- Indoor storage of the heater is permissible only if the cylinder is disconnected and removed from the heater. Cylinders must be stored outdoors out of the reach of children and must not be stored in a building, garage or any other enclosed area.

**Maintenance**

- Always keep the heater area clear and free from combustible materials, gasoline and other flammable vapors and liquids.
- Keep the vent areas (slots in the bottom and top of the heater) clear at all times.

**IMPORTANT:** The heater and its surroundings should be kept clean and free of dust.

- Visually inspect the pilot flame and burner periodically during use. The pilot flame should be blue in color (not yellow) and will extend to the thermocouple. The flame will surround the thermocouple just below the tip. See Figure 5.
- A slight yellow flame may occur where the pilot flame and main burner flame meet. The burner should be bright orange (with a slight blue color around the border, a red-orange haze that is visible on the ceramic tile is acceptable) and without a noticeable flame.
- A blue flame that rolls out at the top of the ceramic tile indicates an accumulation of dust, lint or spider webs inside the housing assembly and main burner assembly. If the pilot is yellow or the burner has a noticeable flame, cleaning may be required.
- It is necessary to periodically check the burner orifice and burner venturi to make sure that they are clear of things such as insect nests and spider webs that may accumulate over time. A clogged tube can lead to a fire.
- Use the following procedure to inspect the casing assembly and main burner assembly.

**Cleaning Instructions (Refer to Exploded Parts on Page 10):**

**IMPORTANT:** Allow heater to thoroughly cool before performing any maintenance.

1. Remove disposable 1 lb. cylinder from heater or turn OFF gas supply at remote cylinder valve, and disconnect hose from heater.
2. Remove (4) four screws that secure the rear cover (ref. # 7) to the heater.
3. Pivot cover outward from bottom. Release from 2 top clips. Set aside.
4. Remove (4) four burner retaining screws and fuel line from burner assembly. Remove burner assembly (ref. # 16) from back of housing.
5. Inspect interior of housing for accumulation of dust, lint or spider webs. If necessary, clean interior housing with a vacuum cleaner or apply air pressure. Do not damage any components within the housing assembly when you are cleaning.

6. Inspect and clean main burner orifice (threaded into orifice holder). Orifice holder (ref.# 19) is attached to the burner assembly venturi with (2) two screws.
7. Inspect and clean pilot (mounted to bracket) by using a vacuum or apply air pressure through the holes in the pilot indicated by the arrows in Figure 5.
8. Apply air pressure (max. 30 psi.) into ceramic tile of burner assembly and the venturi tube to remove dust, lint or spider webs.
9. Reassemble main burner orifice holder onto the burner assembly.
10. Reinstall burner assembly into the heater housing.
11. Reinstall fuel line and check for leaks.
12. Install heater back cover.
13. The exterior of the heater can be cleaned with a damp cloth. Avoid the direct use of any aerosol or spray-on cleaners. Do not use abrasive materials or cleaners on the decals or control knob.

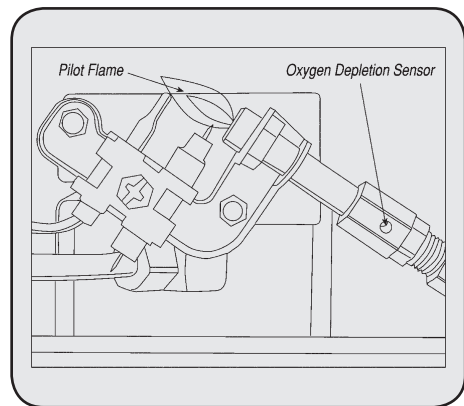


Figure 5

**⚠ WARNING:** Never use needles, wires or similar cylindrical objects to clean the pilot to avoid damaging the calibrated ruby that controls the gas flow through the pilot orifice.

**OFFSEASON**

- If the heater is to left "OFF" for a considerable period of time, the propane (LP) gas supply to the heater should be turned off as close to the gas source as possible. In the case of portable use, the gas should be turned off at the propane (LP) gas supply cylinder.
- If the heater is put into storage, make sure to disconnect the propane (LP) gas cylinder.
- When the LP-gas cylinder is not disconnected from the heater, the heater and cylinder must be located outdoors, in a well-ventilated space, out of the reach of children, and must not be stored in a building, garage, or any other enclosed area.
- Storage of the heater indoors is permissible only if the cylinder is disconnected and removed from the heater. Cylinders must be stored outdoors, in a well-ventilated space, out of the reach of children, and must not be stored in a building, garage, or any other enclosed area.

**SYMPTOM**

- **Spark electrode does not produce spark.**

**CAUSE**

1. Spark electrode broken.
2. Igniter wire may not be attached to spark electrode, ground wire may not be attached to frame.
3. Igniter wire damaged.
4. Piezo igniter is defective.

**REMEDY**

1. Replace ODS (Oxygen Depletion Sensor).
2. Attach igniter wire or ground wire.
3. Replace igniter wire.
4. Replace gas valve assembly.

**SYMPTOM**

- **Spark electrode produces spark but pilot does not light.**

**CAUSE**

1. No gas to heater.
2. "PILOT" position not properly aligned.
3. Pilot is blocked with foreign debris.

**REMEDY**

1. Install disposable cylinder or connect hose and filter where required and turn on valve at remote cylinder.
2. Turn gas control knob to "PILOT" position and depress.
3. Clean pilot. See MAINTENANCE section.

**SYMPTOM**

- **Pilot flame does not stay lit when knob is released.**

**CAUSE**

1. Improper pilot lighting.
2. Pilot flame not surrounding thermocouple.
3. Pilot Assembly is defective.
4. Tip switch wires are disconnected.

**REMEDY**

1. Make sure that the control knob is completely depressed in the "PILOT" position and held long enough to purge air from lines.
2. Clean pilot, see MAINTENANCE.
3. Replace Pilot Assembly.
4. Connect tip switch wires.

**SYMPTOM**

- **Main burner does not ignite.**

**CAUSE**

1. Main burner orifice is blocked.

**REMEDY**

1. Clean burner - see Maintenance.

**SYMPTOM**

- **Heater keeps shutting "OFF" during normal operation.**

**CAUSE**

1. Pilot is blocked.
2. Inadequate fresh air opening.
3. Tip over switch activated from bumping heater.
4. Regulator defective.
5. Internal contamination.

**REMEDY**

1. Clean pilot. See MAINTENANCE section.
2. Provide minimum fresh air opening of 9 square inches (example 3" x 3" opening).
3. Re-light.
4. Replace regulator.
5. Replace control valve and regulator.

- For additional assistance or information, please call Technical services.



**NEVER LEAVE THE HEATER UNATTENDED WHILE BURNING!**

## WARRANTY AND PARTS ORDERING

### PORTABLE BUDDY RADIANT HEATER



Model # MH9BX

#### **⚠️WARNING:**

**USE ONLY MANUFACTURER'S REPLACEMENT PARTS.** USE OF ANY OTHER PARTS COULD CAUSE INJURY OR DEATH. REPLACEMENT PARTS ARE ONLY AVAILABLE DIRECT FROM THE FACTORY AND MUST BE INSTALLED BY A QUALIFIED SERVICE AGENCY. MR. HEATER HOSES **F273701**, **F273702** AND **F272702** ARE SPECIFICALLY DESIGNED FOR USE WITH THIS HEATER ALONG WITH **F273699** DISPOSABLE FUEL FILTER (REPLACE ANNUALLY). USE OF OTHER HOSES MAY CAUSE THE HEATER TO BECOME INOPERABLE. USE BUDDY SERIES HOSE NO. **F273704**, FUEL FILTER IS NOT REQUIRED (ALL ACCESSORIES SOLD SEPARATELY).

#### **⚠️WARNING:**

**THIS PRODUCT IS A HEATER.** IT IS CERTIFIED TO ANSI INTERNATIONAL REQUIREMENT SECTION Z21.103-2017, "UNVENTED PORTABLE TYPE GAS CAMP HEATERS FOR INDOOR AND OUTDOOR USE". THIS PRODUCT IS **NEVER** TO BE USED FOR THE COOKING OR WARMING OF FOODS AS DOING SO CAN INTERFERE WITH THE SAFETY SYSTEMS OF THE HEATER, WHICH MAY RESULT IN A FIRE, EXPLOSION, THE PRODUCTION OF DEADLY CARBON MONOXIDE, AND PERSONAL INJURY OR DEATH TO YOU OR OTHERS. **NEVER** USE HAND-MADE OR THIRD PARTY ACCESSORIES OR ATTACHMENTS WITH THIS HEATER; THIS IS EXTREMELY DANGEROUS AND MAY RESULT IN PERSONAL INJURY OR DEATH TO YOU OR OTHERS.

## PARTS ORDERING INFORMATION

**PURCHASING:** Accessories may be purchased at any Mr. Heater local dealer or direct from the factory

#### **FOR INFORMATION REGARDING SERVICE**

Please call Toll-Free 800-251-0001

Or visit [www.mrheater.com](http://www.mrheater.com)

Our office hours are 8:00 AM – 5:00 PM, EST, Monday through Friday.

Please include the model number, date of purchase, and description of problem in all communication.

## LIMITED WARRANTY

Enerco Group, Inc. warrants its heaters and accessories to be free from defects in material and workmanship for a period of 1 year from date of purchase. Mr. Heater, Inc. will repair or replace this product free of charge if it has been proven to be defective within the 1-year period, and is returned at customer expense with proof of purchase to Mr. Heater, Inc. within the warranty period. **DISCLAIMER:** This warranty does not cover any product that: a) has been subject to misuse or neglect; b) has been used in a manner inconsistent with the warnings and instructions contained in the owner's manual, including but not limited to using a heater for the cooking or warming of foods; or c) has been used with hand-made or third party accessories or attachments.

This warranty gives you specific legal rights, and you may also have other rights which vary from state to state.

PRODUCT REGISTRATION: Thank you for your purchase.  
Please log in to <http://www.egiregistration.com> to register your product.



MR. HEATER, INC., 4560 W. 160TH ST., CLEVELAND, OHIO 44135 • 800-251-0001  
Mr. Heater and Portable Buddy are registered trademarks of Enerco Group, Inc.  
© 2020, Enerco/Mr. Heater. All rights reserved

**¡NUNCA DEJE EL CALENTADOR DESATENDIDO MIENTRAS SE QUEMA!**

## INSTRUCCIONES DE USO Y MANUAL DEL USUARIO

### BUDDY PORTÁTIL CALENTADOR RADIANTE

Modelo MH9BX



CALENTADOR PORTÁTIL DE  
PROPANO PARA RECREATIVAS Y  
EMERGENCIA USO INTERIOR

PARA LA VENTA US, EXCEPTO EN  
MASSACHUSETTS

Utilice únicamente accesorios de marca Mr. Heater (Ver página  
10 para obtener información de ADVERTENCIA)

IDIOMAS INCLUIDOS:

- INGLÉS
- ESPAÑOL



#### **ADVERTENCIA:**

Si no se siguen al pie de la letra las instrucciones de este manual, podría producirse un incendio o una explosión que provocaría daños materiales, lesiones o muertes.

No almacene ni utilice gasolina ni ningún otro vapor ni líquido inflamable cerca de este ni de ningún otro artefacto.

No deberá almacenar cerca del calentador ni de ningún otro artefacto un cilindro de PL no conectado para su uso.

#### QUÉ HACER SI DETECTA OLOR A GAS

- No intente encender el artefacto.
- Extinga cualquier llama abierta.
- Corte el flujo de gas al artefacto.

La reparación debe ser realizada por una agencia de reparación calificada.

Este calefactor portátil a gas no tiene una fuente propia de ventilación. Utiliza el aire (oxígeno) del área en la cual se emplea. Debe suministrarse el aire necesario para la ventilación y la combustión. Ver página 2.

**LEA CUIDADOSAMENTE LAS INSTRUCCIONES:** Lea y siga todas las instrucciones. Conserve estas instrucciones en un lugar seguro para futura referencia. No permita que nadie que no haya leído estas instrucciones arme, encienda, ajuste o use el calefactor.

**⚠️ ADVERTENCIA:**

Los signos iniciales del envenenamiento con monóxido de carbono pueden parecer una gripe, con dolor de cabeza, mareos y/o náusea. Si presenta alguno de estos síntomas, puede ser que el calefactor no esté funcionando correctamente. ¡Obtenga aire fresco inmediatamente! Repare el calefactor.

**⚠️ ADVERTENCIA:**

Cada vez que se conecte la manguera o el tanque a la unidad, hay que verificar que hayan fugas de una o más formas: Colocando agua jabonosa en la conexión y buscando burbujas, escuchando el silbido que produce el escape de gas, detectando frío extremo, sintiendo olor a huevo podrido. ¡No lo use si tiene fugas!

**⚠️ ADVERTENCIA:  
PELIGRO DE INCENDIO Y  
EXPLOSIÓN**

Si siente olor a gas:

1. **No intente encender el artefacto.**
2. **Apague todas las llamas expuestas.**
3. **Desconecte el suministro de combustible.**
4. **Abandone inmediatamente el área.**
5. **Permita que el gas se disipe durante 5 minutos antes de volver a encender el artefacto.**

**No almacene ni utilice gasolina ni ningún otro vapor ni líquido inflamable cerca de este ni de ningún otro artefacto.**

**El no seguir estas instrucciones puede causar una explosión o incendio que podría causar daños materiales, heridas graves o la muerte.**

**⚠️ ADVERTENCIA:**

Cualquier cambio realizado a este calefactor o a sus controles puede ser peligroso.

**⚠️ ADVERTENCIA:**

Si el recinto recreativo no tiene una ventana o una ventilación en el techo, **NO USE ESTE CALEFACTOR EN SU INTERIOR.**

**⚠️ ADVERTENCIA:**

Este producto puede exponerlo a productos químicos, incluyendo plomo y compuestos de plomo, que de acuerdo con el Estado de California producen cáncer y defectos de nacimiento u otros daños reproductivos. Por mayor información, visite [www.P65Warnings.ca.gov](http://www.P65Warnings.ca.gov)

**⚠️ ADVERTENCIA:**

Los combustibles utilizados en los artefactos a gas licuado de propano y los productos de la combustión de dicho combustible pueden exponerlo a sustancias químicas, incluido el benceno, que según el estado de California puede provocar cáncer y causar defectos de nacimiento u otros daños reproductivos. Visite [www.P65Warnings.ca.gov](http://www.P65Warnings.ca.gov) por mayor información.

Este calefactor está equipado con un SISTEMA DE SEGURIDAD diseñado para apagar el calefactor si no cuenta con suficiente aire fresco.

**⚠️ ADVERTENCIA:**

**¡NO ALTERE EL SISTEMA DE SEGURIDAD!**

Si el calefactor se apaga, no vuelva a encenderlo antes de dejar entrar aire fresco. Si el calefactor sigue apagándose, hágalo reparar. Mantenga el quemador y los componentes de control limpios.

**AVISO:** No apto para usar en una "casa de vivienda" en California.

**MATIÈRES**

- 2 Advertencias
- 3 Instrucciones Generales de Seguridad
- 3 Olor Descolora Advertencia
- 4 Información General
- 5 Operación
  - Encendido
  - Apagar
- 7 Mantenimiento
- 8 Solución de problemas
- 10 Lista de Partes
- 12 Ordenar Partes/Garantía

**⚠️ ADVERTENCIA:**

**EL ENVENENAMIENTO POR MONÓXIDO DE CARBONO PUEDE CAUSAR LA MUERTE O LESIONES**

**Si se utiliza sin suficiente aire de combustión y de ventilación, el calefactor puede producir MONÓXIDO DE CARBONO excesivo, un gas venenoso e inodoro.**

**Este es un calefactor a gas que no tiene una fuente propia de ventilación. El calefactor utiliza el aire (oxígeno) del área en la cual se emplea. Debe suministrarse el aire necesario para la ventilación y la combustión. Consulte las INSTRUCCIONES GENERALES DE SEGURIDAD por requisitos más específicos con respecto al aire de combustión y a la ventilación adecuados (página 3).**

**Precaución:**

- Cuando utilice el calentador en altitudes más de 7.000 metros sobre el mar nivelar el calentador puede **apagar**. (Por favor, lea la información general)
- Algunas alfombras o superficies del linóleo pueden descolorarse si el calentador se coloca directamente en estas cubiertas de piso.

**ADVERTENCIA DE OLOR**

**⚠️ ADVERTENCIA:  
PELIGRO DE ASFIXIA**

- No use en áreas no ventiladas.
- El flujo de combustión y aire de ventilación no debe ser obstruido.
- El aire de ventilación apropiado debe ser proporcionado para apoyar las exigencias de aire de combustión del calentador usado.
- Refiérase a la sección de especificación del manual del calentador, calentador dataplate, o póngase en contacto con la fábrica para determinar exigencias de ventilación de aire de combustión del calentador.
- La carencia del aire de ventilación apropiado conducirá a la combustión impropia.
- La combustión impropia puede conducir al envenenamiento de monóxido de carbono que conduce a herida seria o muerte. El síntoma del envenenamiento de monóxido de carbono puede incluir dolores de cabeza, mareo y dificultad en la respiración.

**INSTRUCCIONES GENERALES DE SEGURIDAD**

**ESTE ES UN ARTEFACTO QUE EMITE CALOR. NO OPERE ESTE ARTEFACTO SIN HABER INSTALADO LA REJILLA PROTECTORA FRONTAL. NO INTENTE CALENTAR O COCINAR EL ALIMENTO EN ESTE CALENTADOR.**

- No use accesorios no aprobados en este calentador.
- Debido a las altas temperaturas, se debe ubicar el artefacto lejos de lugares de paso y de materiales combustibles.
- Se debe alertar a niños y adultos del riesgo de las altas temperaturas en la superficie y deben mantenerse alejados para evitar quemaduras en el cuerpo o de la ropa.
- No deje el calefactor desatendido mientras esté funcionando. Mantenga a los niños y a las mascotas alejados del calefactor todo el tiempo.
- No coloque ropa ni ningún otro material inflamable sobre o cerca del artefacto.
- No opere el calentador en ningún vehículo en movimiento.

- Solo se pueden usar cilindros desechables marcados con el tipo de combustible apropiado aprobado para el aparato.
  - Este calentador puede ser utilizado únicamente en sitios recreativos cerrados que tengan ventanas o ventilación en el techo. También puede ser utilizado al aire libre.
  - Este calentador requiere un área de ventilación mínima de 58,06 centímetros cuadrados (por ejemplo: una abertura de 7,62 cm x 7,62 cm) en el techo y al nivel del piso, para una ventilación adecuada durante su funcionamiento. No utilice en interiores otros artefactos que requieran combustión.
  - Un calefactor portátil alimentado con propano para uso residencial de emergencia no debe configurarse con una capacidad de entrada superior a los 5.000 BTU/H (1.466 W) cuando se ubique en un baño, y no debe configurarse con una capacidad de entrada superior a los 10.000 BTU/H (2.931 W) cuando se ubique en un dormitorio. Consulte la tabla de especificaciones por los ajustes permitidos.
  - LA PRESIÓN DE GAS DEL CALENTADOR ES REGULADA Y FIJA A 11 pulgadas en columna de agua. ¡CUANDO SE UTILIZA UNA CONEXIÓN DE MANGUERA REMOTA, NO REGULE NI REDUZCA LA PRESIÓN DE SUMINISTRO DEL TANQUE DE PROPANO AL CALENTADOR!
  - EL REGULADOR DEL CALENTADOR DEBE ESTAR SIEMPRE EN SU LUGAR DURANTE EL FUNCIONAMIENTO.
  - Si la guardia de alambre es quitada para la revisión, debe ser sustituido antes del funcionamiento del calentador.
  - El artefacto deberá ser inspeccionado antes de cada uso. Es posible que una limpieza frecuente sea necesaria. El control de los compartimientos, el quemador y los pasos de aire en circulación a través de los conductos del artefacto deben mantenerse limpios, ver la sección de MANTENIMIENTO.
  - NO utilice este calentador si alguna parte ha estado sumergida en agua. Llame inmediatamente a un técnico de reparación calificado para que inspeccione el calentador y reemplace cualquier parte del sistema de control y cualquier control de gas, que haya estado sumergido en agua.
  - Cuando se lo utiliza sin la combustión y ventilación de aire adecuadas, este calentador puede emanar excesivo MONÓXIDO DE CARBONO, un gas venenoso e inodoro.
- ADVERTENCIA:** Los signos iniciales de envenenamiento con monóxido de carbono pueden parecer una gripe, con dolor de cabeza, mareos y/o náusea. Si presenta alguno de estos síntomas, puede ser que el calefactor no esté funcionando correctamente. ¡Obtenga aire fresco

Especificaciones	
MODELO N°	MH9BX
Tipo de gas	Propano (LP)
Entrada (BTU/h)	4,000/9,000
Temperatura ambiente mínima	-18 °C/ 0 °F
Margen Para Los Combustibles	
Arriba	75cm
Al Frente	60cm
A Los Lados	15cm
Reverso	0cm
Configuraciones Permitidas	
Uso de Baño	Ajuste "LO"
Uso de Dormitorio	Ajuste "HI" o "LO"

inmediatamente! Haga que alguien realice el servicio de mantenimiento en el calefactor.

- Algunas personas – mujeres embarazadas, personas que sufren enfermedades cardíacas o pulmonares, anemia, aquéllas que están bajo la influencia del alcohol, las que están a altas altitudes – se ven más afectadas por el monóxido de carbono que otras.
- Cuando coloque el calentador en el piso, asegúrese de que la superficie esté nivelada y mantenga cualquier objeto a por lo menos 61 centímetros desde la parte frontal del calentador. ESTE CALENTADOR ESTÁ EQUIPADO CON UN INTERRUPTOR DE SEGURIDAD QUE HARÁ QUE EL CALENTADOR SE APAGUE SI SE DA VUELTA, SIN EMBARGO, NO DEJE EL CALENTADOR SIN SUPERVISIÓN O DONDE NIÑOS PUEDAN HACER QUE EL CALENTADOR SE VUELQUE. NUNCA OPERE EL CALENTADOR ¡MIENTRAS DUERME!

**OLOR DESCOLORA  
ADVERTENCIA  
ABASTEZCA DE COMBUSTIBLE  
OLOR DE GAS**  
El LP gas de gas y natural tiene man-made odorants añadido expresamente para el descubrimiento de agujeros de gas de combustible. Si un agujero de gas ocurre que usted debería ser capaz de oler el gas de combustible. Ya que el Propano (LP) es más pesado que el aire que usted debería oler para el olor de gas bajo al suelo. ¡CUALQUIER OLOR DE GAS ES SU SEÑAL ENTRAR EN LA ACCIÓN INMEDIATA!

- No tome ninguna acción que podría encender el gas de combustible. No haga funcionar ningún interruptor eléctrico. No tire ningún suministro de energía o cuerdas

de extensión. No encienda partidos o ninguna otra fuente de la llama. No use su teléfono.

- Consiga a cada uno del edificio y lejos del área.
- Cierre todo el propano (LP) tanque de gas o válvulas de suministro de combustible de cilindro, o la válvula de suministro de combustible principal localizada en el metro si usted usa el gas natural.
- Propano (LP) el gas es más pesado que el aire y puede instalarse áreas bajas. Cuando usted tiene la razón de sospechar un agujero de propano, consérvese de todas las áreas bajas.
- Use el teléfono de su vecino y llame su proveedor de gas de combustible y su cuerpo de bomberos. No entre de nuevo en el edificio o el área.
- Permanencia del edificio y lejos del área hasta caja fuerte declarada por los bomberos y su proveedor de gas de combustible.
- FINALMENTE, deje a la persona de servicio de gas de combustible y el control de bomberos para el gas evitado. Hacen que ellos aireen el edificio y el área antes de que usted vuelva. La gente de servicio correctamente entrenada debe reparar cualquier agujero, comprobar salidas adicionales, y luego encender la aplicación para usted.

**OLOR QUE DESCOLORA - NINGÚN OLOR DESCUBIERTO**

- Algunas personas no pueden oler bien. Algunas personas no pueden oler el olor de las sustancias químicas man-made añadidas al propano (LP) o gas natural. Usted debe determinar si usted puede oler el odorant en estos gases de combustible.
- Aprenda a reconocer el olor de propano (LP) gas de gas y natural. El propano local (LP) distribuidores de gas será más que feliz darle el folleto de aspiración y un rasguño. Úselo para hacerse familiar con el olor de gas de combustible.
- Fumar puede disminuir su capacidad de oler. Estar alrededor de un olor para el periodo del tiempo puede afectar su sensibilidad frente a aquel olor particular. El presente de olores en edificios de confinamiento de animal puede enmascarar el olor de gas de combustible.
- **El odorant en el propano (LP) el gas de gas y natural es incoloro y la intensidad de su olor puede descolorarse en algunas circunstancias.**
- Si hay un agujero subterráneo, el movimiento de gas por el suelo puede filtrar el odorant.
- El propano (LP) olor de gas puede diferenciarse en la intensidad en niveles diferentes. Desde el Propano (LP) el gas es más pesado que el aire, puede haber más olor en niveles inferiores.

- **Siempre esté sensible al olor de gas más leve.** Si usted sigue descubriendo algún olor de gas, no importa como pequeño, trátelo como un agujero serio. Inmediatamente entre en la acción como hablado antes.

**¡ATENCIÓN - PUNTOS CRÍTICOS PARA RECORDAR!**

- El propano (LP) gas tiene un olor distintivo. Aprenda a reconocer estos olores. (Combustible de Referencia Olor de Gas y Olor que Descolora secciones encima.
- Incluso Si usted no es la propiedad entrenada en el servicio y la reparación del calentador, SIEMPRE ser conscientemente consciente de los olores de propano (LP) el gas de gas y natural.
- Si usted no ha sido correctamente entrenado en reparación y servicio de propano (LP) el gas entonces no intenta encender el calentador, realizar servicio o reparaciones, o hacer cualquier ajuste al calentador en el propano (LP) sistema de combustible de gas.
- Una aspiración periódica prueba alrededor del calentador o en las uniones del calentador; es decir la manguera, las uniones, etc., es una práctica de seguridad buena en cualquier condición. Si usted huele hasta una pequeña cantidad de gas, póngase en CONTACTO CON SU PROVEEDOR DE GAS DE COMBUSTIBLE INMEDIATAMENTE. ¡NO ESPERE!

**INFORMACIÓN GENERAL:**

- Este calentador es seguro para el uso de interior en pequeños recintos recreacionales, teniendo medios para proporcionar el aire de combustión y la ventilación, como pórticos incluidos, cabinas, chozas de pesca, remolques, remolques de tienda de campaña, tiendas de campaña, gorras de camión y furgonetas. Puede ser utilizado para la calefacción de emergencia interior cuando está conectado a un cilindro de propano desechable 1 lb.
- Nota:** El calentador se puede utilizar al aire libre pero puede experimentar cerrados fastidio en ciertas condiciones del viento
- Cuando el calentador está frío o a temperatura ambiente, el azulejo del quemador demorará unos pocos minutos en tornarse anaranjado brillante. Esto es normal y el calentador está funcionando correctamente. Si el azulejo del quemador tiene llamas visibles, apague el calentador y llame a un técnico de reparación calificado.

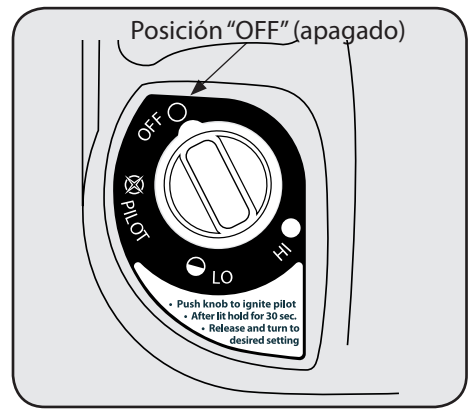


Figura 1

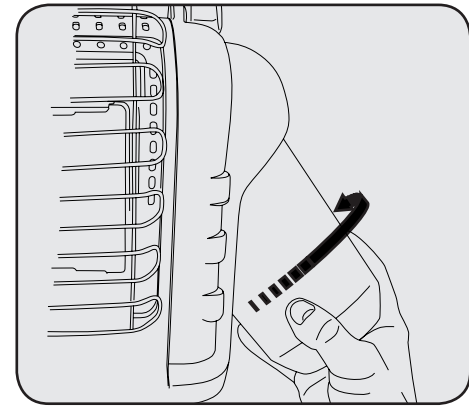


Figura 2

**⚠️ ADVERTENCIA:** Siempre inspeccione el cilindro de propano y las conexiones de suministro de propano al calentador para detectar daños, suciedad y residuos antes de conectar el cilindro de propano. No lo utilice si la cabeza del cilindro está dañada, perforada o deteriorada.

**⚠️ ADVERTENCIA:** No opere el calentador a menos que la perilla de control esté segura en una posición marcada "hi" (alta), "lo" (baja) o "pilot" (piloto). No coloque nunca la perilla de control entre las posiciones marcadas. Podría causar combustión escasa o niveles más altos de monóxido de carbono.

**⚠️ PRECAUCIÓN:** No intente ajustar los niveles de calor utilizando la válvula de cierre del tanque de propano.

- Cuando la unidad está encendida, debe haber un borde de aproximadamente 6,35 milímetros alrededor del azulejo que no se tornará anaranjado brillante. Esto es normal.
- Cuando opere el calentador por primera vez, es posible que el área superior del reflector se decolore. Esto también es normal y no es motivo de preocupación.
- La parrilla protectora en el frente de este calentador es cubierta de una temperatura alta especial resistente pintura. Cuando el calentador es usado por primera vez, la parrilla puede emitir humo sensible o vapores. Este es normal y no ocurrirá durante usos subsecuentes. Los vapores no son dañosos.
- **Cuando ponga en funcionamiento el calentador a altitudes superiores a los 2.133,6 M sobre el nivel del mar, es posible que la unidad no queme de forma tan brillante como en altitudes más bajas. Esto es normal. A altitudes más altas, es posible que el calentador se apague. Si esto sucede, suministre aire puro, espere cinco 5 minutos y encienda de nuevo. Debido a las condiciones atmosféricas locales, es posible que el calentador no encienda de nuevo.**
- El tiempo de operaciones variará según el ajuste de calentador y el tamaño de cilindro de suministro. Hasta 3 a 6 horas en 1 libra. cilindro. Hasta 48 a 110 horas en 20 libras. cilindro (basado en "HOLA" y ajustes "de LO"). Debido a las propiedades de gas de LP, los tiempos de ejecución pueden ser considerablemente reducidos haciendo funcionar continuamente en temperaturas abajo 20°F. El uso de un tanque de 20 libras es recomendado en estas condiciones.
- Cuando mueva el calentador encendido o cuando lo golpee o cuando lo asiente, el interruptor de seguridad puede apagar el calentador. Si esto sucede, enciéndalo de nuevo.
- Debido al funcionamiento natural de tanques pequeños, es posible que se forme condensación en el tanque y comiencen a caer gotas en la superficie debajo del calentador.

**INSTRUCCIONES DE ENCENDIDO/OPERACIÓN PARA USAR CON CILINDROS DE PROPANO DESCARTABLES DE 1 lb:**

SIEMPRE CONECTE O DESCONECTE LOS CILINDROS EN EL EXTERIOR, LEJOS DE LAS LLAMAS, OTRAS FUENTES DE IGNICIÓN Y SOLAMENTE CUANDO EL CALENTADOR ESTÉ FRÍO AL TACTO. NO FUME CUANDO CONECTE O DESCONECTE UN CILINDRO DE PROPANO O CUANDO HAGA CONEXIONES REMOTAS.

- Los cilindros de gas LP utilizados deben estar contruidos y marcados de acuerdo con las especificaciones para cilindros de gas LP del Departamento de Transporte de los Estados Unidos (DOT).
- Utilice únicamente el suministro de propano de RETIRO DE VAPOR. Si tiene alguna pregunta sobre la extracción de vapor, consulte a su distribuidor de propano.
- Utilice solamente cilindros descartables de 0,45 kg compatibles con la conexión de válvula N° 600.
- Este calefactor consume oxígeno de la habitación en la que esté instalado. Para asegurar una combustión completa y un suministro adecuado de aire fresco a la habitación, consulte las Instrucciones generales de seguridad, página 3.
- El calentador y el cilindro conectado deben estar en una posición vertical durante su funcionamiento.

**IMPORTANTE:** El calefactor no debe exponerse a vapores o líquidos inflamables durante el encendido.

1. Asegúrese de que la perilla de control de cuatro posiciones esté en la posición "OFF" (apagado). Ver la Figura 1.
2. Gire el regulador externo para la instalación de tanque fácil. Tornillo 1 libra. cilindro de suministro de gas de LP disponible dextrórum (de fondo) en calentador portátil hasta de mano apretado. Ver la Figura 2. No use el sellador de hilo en esta union.
3. Revise la conexión del cilindro en busca de fugas con agua jabonosa en la conexión roscada debajo de la cubierta plástica en forma de cúpula donde el cilindro se atornilla al regulador. NUNCA USE UNA LLAMA PARA BUSCAR FUGAS. NO LAS AJUSTE DE MÁS. VER LA ADVERTENCIA EN LA CUBIERTA PLÁSTICA.
4. Gire la perilla de control hacia la izquierda para Posición "PILOTO" y presionar a la luz. Ver la Figura 3.
5. Si el calentador no se enciende, domine durante aproximadamente 30 segundos; la liberación y deprime otra vez. Repita hasta pilotos.
6. Después de pilotos, domine para 30-60 segundos y luego libere la perilla. La perilla debería volver a la posición totalmente ampliada. Ver la Figura 4.
7. Hacer funcionar calentador ligeramente deprimen la perilla y suavemente dan vuelta para cerrarse en "el HOLA" posición para encender el azulejo de quemador. El permiso en "HOLA" la posición hasta el azulejo de quemador gira la naranja brillante.
8. Después de que el azulejo de quemador ha girado la naranja brillante, ajuste la salida de calor girando el Botón de Control a la posición deseada ("LO" O "HOLA" poniéndose).

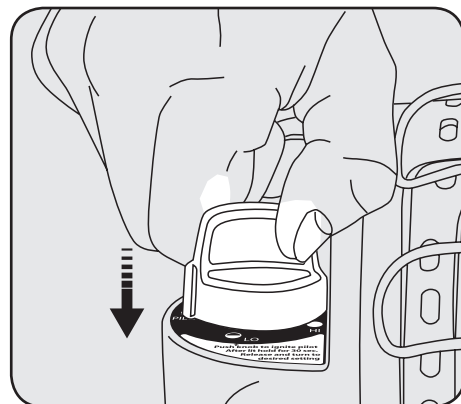


Figure 3

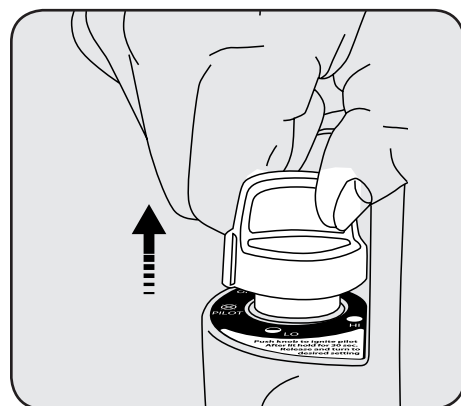


Figure 4

**⚠PRECAUCIÓN:** Después de apagar el calentador, la rejilla protectora permanecerá caliente. Deje enfriar por completo antes de guardar.

**⚠PRECAUCIÓN:** No lleve NUNCA un cilindro de propano reutilizable a espacios cerrados. Puede ocurrir un incendio o una explosión causando daños a la propiedad, heridas graves o la muerte.

**Instrucciones de apagado**

1. Para apagar el calentador, presione levemente la perilla de control hacia adentro y gírela en sentido horario hasta la posición "OFF" (apagado).
- No manipule, guarde ni retire el cilindro cerca de objetos inflamables o fuentes de ignición.

¡LOS CILINDROS DE GAS PL DEBEN SER DESCONECTADOS DEL CALENTADOR CUANDO NO ESTÉN EN USO!

**INSTRUCCIONES DE OPERACIÓN/ ENCENDIDO PARA USO CON MANGUERA CONECTADA A UN CILINDRO REMOTO, CON DIMENSIÓN MÁXIMA DE 20 lb:**

- Este Calentador puede ser usado en un recinto recreacional o recinto de trabajo de construcción temporal con un cilindro de propano refillable remoto SÓLO cuando el cilindro es localizado al aire libre y el Calentador es usado con Sr. Heater Hose el No F273701, F273702, F272702, o F298802 y el combustible filtran F273699. El filtro de combustible debe ser sustituido anualmente. O uso manguera de serie de Compinche de F273704. Filtro de combustible no requerido.
- Inspeccione la manguera antes de cada uso del calentador. En caso de abrasión o desgaste excesivos, o si la manguera está cortada, reemplácela antes de usar el calentador con una de las mangueras Mr. Heater con la numeración indicada arriba.
- Los cilindros de gas LP utilizados deben estar contruidos y marcados de acuerdo con las especificaciones para cilindros de gas LP del Departamento de Transporte de los Estados Unidos (DOT).
- Utilice únicamente el suministro de propano de RETIRO DE VAPOR. Si tiene alguna pregunta sobre la extracción de vapor, consulte a su distribuidor de propano.
- El cilindro de propano debe incluir un dispositivo de protección para sobrellenado listado, así como también un anillo para proteger la válvula del cilindro.

- Este calefactor consume oxígeno de la habitación en la que esté instalado. Para asegurar una combustión completa y un suministro adecuado de aire fresco a la habitación, consulte las Instrucciones generales de seguridad, página 3.
- El calentador debe estar en posición vertical durante el funcionamiento.

**IMPORTANTE:** El calefactor no debe exponerse a vapores o líquidos inflamables durante el encendido.

1. Asegúrese de que la perilla de control de cuatro posiciones esté en la posición "OFF" (apagado). Ver la Figura 1.
2. Regulador de giro hacia el exterior para la instalación de la manguera fácil. A continuación, el tornillo conector de la manguera al regulador en el calentador y el tornillo del conector en el otro extremo de la manguera en la válvula de suministro de gas LP del cilindro. Apriete todas las conexiones de la manguera. No use el sellador de hilo en cualquiera de estas uniones.
3. Mr. Heater enfáticamente recomienda utilizar filtros de combustible descartables F273699 para atrapar cualquier sustancia de aceite cuando se conecte a un cilindro remoto que pueda hacer que el calentador no funcione.
4. Abra la válvula en el cilindro de suministro de gas PL.
5. Revise todas las conexiones de las mangueras en busca de fugas con agua jabonosa en la conexión roscada debajo de la cubierta plástica en forma de cúpula donde el conector de la manguera se enrosca al regulador y al cilindro de suministro de gas PL. NUNCA USE UNA LLAMA PARA BUSCAR FUGAS. NO LAS AJUSTE DE MÁS. VER LA ADVERTENCIA EN LA CUBIERTA PLÁSTICA.
6. Gire la perilla de control hacia la izquierda para Posición "PILOTO" y presionar a la luz. Ver Figura 3. Esto puede llevar más tiempo para purgar el aire desde la manguera de suministro según la longitud de la manguera que se esté usando.

7. Si el calentador no se enciende, domine durante aproximadamente 30 segundos; la liberación y deprime otra vez. Repita hasta pilotos.
8. Después de pilotos, domine para 30-60 segundos y luego libere la perilla. La perilla debería volver a la posición totalmente ampliada. Ver la Figura 4. El piloto debe permanecer encendido.
9. Hacer funcionar calentador ligeramente deprimen la perilla y suavemente dan vuelta para cerrarse en "el HOLA" posición para encender el azulejo de quemador. El permiso en "HOLA" la posición hasta el azulejo de quemador gira la naranja brillante.
10. Después de Que el azulejo de quemador ha girado la naranja brillante, ajuste la salida de calor girando el Botón de Control a la posición deseada ("LO" O "HOLA" poniéndose).

**Instrucciones de apagado**

1. Para apagar el calentador, corte el propano del tanque de suministro, deje que el calentador consuma el propano en la línea de suministro hasta que se apague, luego presione levemente la perilla de control hacia adentro y gírela en sentido horario hasta la posición "OFF" (apagado).
- Cuando no esté en uso, se debe apagar el gas del cilindro de suministro de gas PL. Como se mencionó anteriormente, deje que el calentador consuma el propano en la línea de suministro hasta que se apague. Cuando el cilindro de suministro de gas PL no está desconectado del calentador, tanto el calentador como el cilindro deben almacenarse en el exterior, en un espacio bien ventilado, fuera del alcance de los niños, y no debe almacenarse en ningún edificio, garaje ni en ninguna otra área cerrada.
- El almacenamiento del calentador en interiores está permitido sólo si se desconecta el cilindro y se lo retira del calentador. Los cilindros deben almacenarse en el exterior fuera del alcance de los niños y no deben almacenarse en ningún edificio, garaje ni en ninguna otra área cerrada.

**Mantenimiento**

- Siempre mantenga el área del calentador despejada y libre de materiales combustibles, gasolina y otros líquidos y vapores inflamables.
- Mantenga las áreas de ventilación (las ranuras en la parte inferior y superior en el frente del calentador) despejadas todo el tiempo.

**IMPORTANTE:** El calefactor y sus alrededores deben mantenerse limpios y libres de polvo.

- Inspeccione visualmente la llama del piloto y el quemador periódicamente durante su uso. La llama del piloto debe ser de color azul (no amarilla) y debe extenderse más allá de la termocupla. La llama rodeará la termocupla justo debajo de la punta. Ver Figura 5.
- Una llama levemente amarilla puede ocurrir cuando la llama del piloto y la del quemador principal se encuentran. El quemador debería ser anaranjado brillante (con un leve color azul alrededor del borde y una bruma roja-anaranjada que es visible en el azulejo de cerámica es aceptable) y sin una llama muy notable.
- Una llama azul que sobresale de la parte superior del azulejo de cerámica indica una acumulación de polvo, pelusas o telarañas dentro del ensamble de la carcasa y del quemador principal. Si el piloto es amarillo o el quemador tiene una llama notable, es posible que sea necesaria una limpieza.
- Es necesario revisar periódicamente el orificio del quemador y el tubo venturi del quemador para asegurarse de que están libres de insectos, nidos o telarañas que pueden acumularse con el tiempo. Un tubo obstruido puede generar un incendio.
- Utilice los siguientes procedimientos para inspeccionar el ensamble de la carcasa y del quemador principal.

**Instrucciones de limpieza (consulte Piezas en despiece en la página 10):**

**IMPORTANTE:** Deje que el calentador se enfríe completamente antes de realizar cualquier tarea de mantenimiento.

1. Retire el cilindro descartable de 0,45 kg del calentador o apague (coloque en OFF) el suministro de gas en la válvula del cilindro remoto, y desconecte la manguera del calentador.
2. Quite (4) cuatro tornillos que aseguran la tapa trasera (ref.# 7) al calentador.
3. Tapa de pivote externa de fondo. Liberación de 2 clips superiores. Reservado.
4. Quite (4) cuatro quemador que retiene tornillos y línea de combustible de la asamblea de quemador. Quite la asamblea de quemador (ref.# 16) de la espalda del alojamiento.

5. Inspeccione el interior del ensamble de la carcasa para detectar acumulación de polvo, pelusas o telarañas. De ser necesario, limpie el interior del ensamble de la carcasa con una aspiradora o aplique aire a presión. No dañe ninguno de los componentes dentro del ensamble de la carcasa cuando la esté limpiando.
6. Inspeccione y limpie el orificio principal del quemador (ubicado en el soporte del piloto con una contratuerca). Orificio el soporte (ref. # 19) está unido al conjunto de quemador venturi con (2) dos empulgueras.
7. Inspeccione y limpie el piloto (montado en el soporte) con una aspiradora o con aire a presión a través de los orificios en la Figura 5.
8. Aplique aire a presión en el azulejo de cerámica del ensamble del quemador y del tubo ventura (con un cono en el extremo) para retirar el polvo, pelusa o telarañas.
9. Vuelva a montar el soporte del orificio del quemador principal en el conjunto del quemador.
10. Vuelva a instalar el conjunto del quemador en el calentador de vivienda.
11. Instalan de nuevo la línea de combustible y comprueban agujeros.
12. Instalan el calentador atrás cubren.
13. Puede limpiar el exterior del calefactor con un trapo húmedo. Evite usar directamente aerosoles o limpiadores en aerosol. No use materiales abrasivos o limpiadores en las etiquetas o en la perilla de control.

**FUERA DE TEMPORADA**

- Si el calefactor se deja "APAGADO" durante un tiempo considerable, hay que cerrar el suministro de gas propano (LP) lo más cerca posible de la fuente de gas. En el caso de uso portátil, debe cerrar la llave de suministro de gas propano (LP) en el tanque de gas propano (LP).
- Si el calefactor se almacena, asegúrese de desconectar el cilindro de gas propano (LP).
- Cuando el cilindro de gas LP no esté desconectado del calefactor, el calefactor y el cilindro deben ubicarse al aire libre, en un espacio bien ventilado, fuera del alcance de los niños, y no deben almacenarse en un edificio, garaje o cualquier otro lugar cerrado.
- El almacenamiento del calefactor en el interior está permitido solo si el cilindro se desconecta y se remueve del calefactor. Los cilindros deben almacenarse al aire libre, en un espacio bien ventilado, fuera del alcance de los niños, y no deben almacenarse en un edificio, garaje o cualquier otro lugar cerrado.

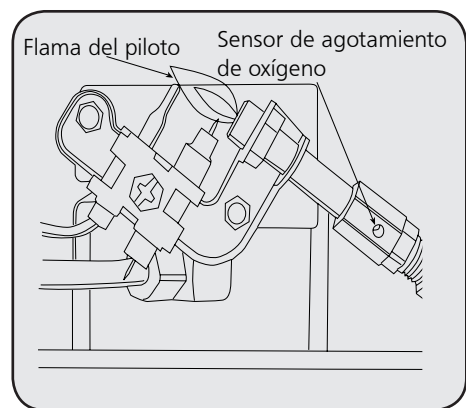


Figure 5

**⚠️ ADVERTENCIA:** No utilice nunca agujas, cables ni objetos cilíndricos similares para limpiar el piloto para evitar dañar el rubí calibrado que controla el paso del gas.



**SÍNTOMA**

- **El electrodo de encendido no produce chispa.**

**CAUSA**

1. Electrodo de encendido roto.
2. Es posible que el cable del encendedor no esté conectado al electrodo de chispas, es posible que el conductor de tierra no esté conectado al armazón.
3. Cable del encendedor dañado.
4. El encendedor piezoeléctrico está roto.

**SOLUCIÓN**

1. Reemplace el ODS (sensor de disminución de oxígeno).
3. Conecte el cable del encendedor o el cable a tierra.
3. Reemplace el cable del encendedor.
4. Reemplace la válvula de gas.

**SÍNTOMA**

- **El electrodo de encendido produce chispa pero el piloto no se enciende.**

**CAUSA**

1. No llega gas al calefactor.
2. La posición "PILOT" (piloto) no está correctamente alineada.
3. El piloto está bloqueado con residuos.

**SOLUCIÓN**

1. Instale un cilindro descartable o conecte la manguera y encienda la válvula en el cilindro remoto.
2. Gire la perilla de control del gas hasta la posición "PILOT" (piloto) y presione.
3. Limpie el piloto. Consulte la sección MANTENIMIENTO.

**SÍNTOMA**

- **La llama del piloto no permanece encendida cuando se suelta la perilla.**

**CAUSA**

1. Encendido incorrecto del piloto.
2. La llama del piloto no rodea la termocupla.
3. El mecanismo del piloto está defectuoso.
4. Los cables del interruptor contra caídas están desconectados.

**SOLUCIÓN**

1. Asegúrese de que la perilla de control esté completamente presionada en la posición "PILOT" y que se mantenga el tiempo suficiente como para purgar el aire de las líneas.
2. Limpie el piloto, consulte MANTENIMIENTO.
3. Reemplace el mecanismo del piloto.
4. Conecte los cables del interruptor contra caídas.

**SÍNTOMA**

- **El quemador principal no enciende.**

**CAUSA**

1. El orificio del quemador principal está bloqueado.

**SOLUCIÓN**

1. Limpie el quemador, ver la sección de MANTENIMIENTO.

**SÍNTOMA**

- **El calefactor sigue apagándose durante el funcionamiento normal.**

**CAUSA**

1. El piloto está bloqueado.
2. Entrada de aire fresco inadecuada.
3. Interruptor contra caídas activado por golpear el calefactor.
4. El regulador está defectuoso.
5. Contaminación de la válvula interna.

**SOLUCIÓN**

1. Limpie el piloto. Consulte la sección MANTENIMIENTO.
2. Suministre una abertura de aire puro mínima de 58,06 centímetros cuadrados (por ejemplo: una abertura de 7,62 cm x 7,62 cm).
3. Vuelva a encenderlo.
4. Reemplace el regulador.
5. Reemplace la válvula de control y el regulador.

- Por asistencia o información adicional, llame a Servicio Técnico.

## GARANTÍA Y COMPRA DE PIEZAS

### BUDDY PORTÁTIL CALENTADOR RADIANTE



Modelo MH9BX

#### **⚠️ ADVERTENCIA:**

USE SÓLO LOS REPUESTOS DEL FABRICANTE. EL USO DE CUALQUIER OTRO REPUESTO PUEDE CAUSAR LESIONES O LA MUERTE. LOS REPUESTO SÓLO ESTÁN DISPONIBLES DIRECTAMENTE DE FÁBRICA Y DEBEN SER INSTALADOS POR UNA AGENCIA DE REPARACIÓN CALIFICADA. LAS MANGUERAS MR. HEATER **F273701**, **F273702**, Y **F272702** ESTÁN ESPECÍFICAMENTE DISEÑADAS PARA SER UTILIZADAS CON ESTE CALENTADOR CONJUNTAMENTE CON EL FILTRO DE COMBUSTIBLE DESCARTABLE **F273699**. EL USO DE OTRAS MANGUERAS PUEDE HACER QUE EL CALENTADOR NO FUNCIONE. USO COMPAÑERO DE LA SERIE NÚMERO DE PARTE **F273704** MANGUERA, FILTRO DE COMBUSTIBLE NO SE REQUIERE (TODOS LOS ACCESORIOS SE VENDEN POR SEPARADO).

#### **⚠️ ADVERTENCIA:**

ESTE PRODUCTO ES UN CALENTADOR. SE CERTIFIQUE A ANSI INTERNATIONAL SECCIÓN DE REQUISITOS Z21.103-2017, "CALENTADORES DE CAMPO DE GAS TIPO PORTÁTIL SIN VENTILACIÓN PARA USO INTERIOR Y EXTERIOR". ESTE PRODUCTO ES NUNCA UTILIZADO PARA LA COCCIÓN O CALENTAMIENTO DE ALIMENTOS YA QUE ESTO PUEDE INTERFERIR CON LOS SISTEMAS DE SEGURIDAD DEL CALENTADOR, QUE PUEDEN RESULTAR EN UN INCENDIO, EXPLOSIÓN, EL PRODUCCIÓN DE MORTAL MONÓXIDO DE CARBONO, Y LESIONES O LA MUERTE A USTED U OTROS. NUNCA USO ARTESANAL O DE TERCERAS PARTES ACCESORIOS O COMPLEMENTOS CON ESTE CALENTADOR; ESTO ES EXTREMADAMENTE PELIGROSO Y PUEDE RESULTAR EN LESIONES O LA MUERTE A USTED U OTROS.

## INFORMACIÓN PARA ORDENAR PARTES

**COMPRAS:** Puede comprar accesorios en cualquier distribuidor local de Mr. Heater o directamente de la fábrica.

### **POR INFORMACIÓN ACERCA DE REPARACIONES**

Llame sin cargo al 800-251-0001

o visite [www.mrheater.com](http://www.mrheater.com)

Nuestro horario de trabajo es de 08:00 AM a 5:00 PM, de lunes a viernes, hora del este.

Por favor, incluya el número de modelo, la fecha de compra y la descripción del problema en todas sus comunicaciones.

## GARANTÍA LIMITADA

Mr. Heater, Inc. garantiza la calidad del material y la fabricación de sus calefactores y accesorios por un período de 1 año a partir de la fecha de compra. Mr. Heater, Inc. reparará o reemplazará este producto sin cargo si presentara desperfectos dentro del primer año tras realizada la compra, siempre y cuando el cliente costee la devolución y presente el comprobante de compra a Mr. Heater Inc. dentro del período de garantía. **DESCARGO DE RESPONSABILIDAD:** Esta garantía no cubre ningún producto que: a) haya estado sujeto a mal uso o negligencia; b) se haya utilizado de manera inconsistente con las advertencias e instrucciones contenidas en el manual del propietario, incluyendo, entre otros, el uso de un calefactor para cocinar o calentar alimentos; o c) se haya utilizado con accesorios hechos a mano o de terceros. Esta garantía le otorga derechos legales específicos, y usted puede también tener otros derechos los que varían de un estado a otro.

REGISTRO DEL PRODUCTO: Gracias por su compra.  
Ingrese a <http://www.egiregistration.com> para registrar su producto.



MR. HEATER, INC., 4560 W. 160TH ST., CLEVELAND, OHIO 44135 • 800-251-0001  
Mr. Heater y Portable Buddy son marcas registradas de Enerco Group, Inc.  
© 2020, Enerco/Mr. Heater. Todos los derechos reservados.